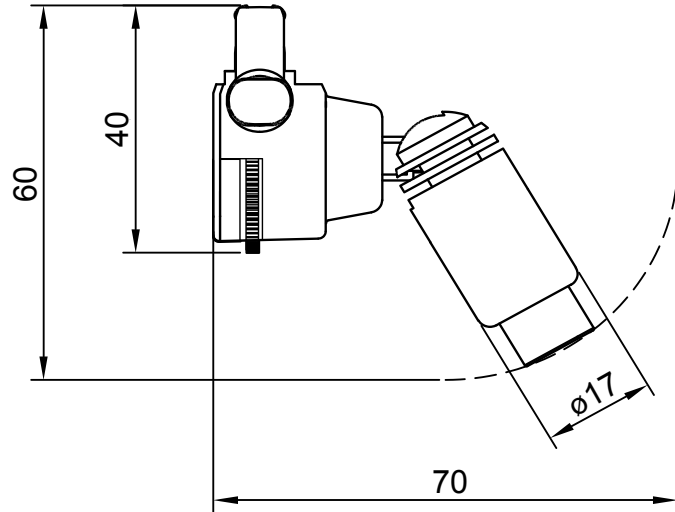
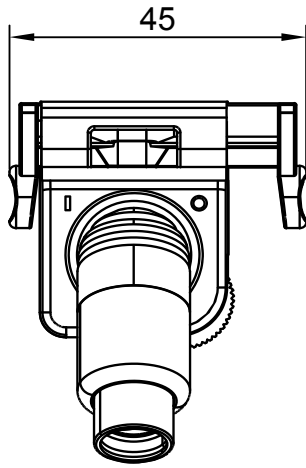




L-MTSP-12
1W SPOTLIGHT
PRODUCT CUTSHEET



SCAN
FOR WEBSITE



FEATURES

- Fully compatible with all MicroTrack systems
- Fully focusable 9° to 70°
- Fully dimmable with onboard dimmer
- Accessories include Barndoors, Snoots, & Filter frames

No tools are needed for mounting and focusing the fixtures.*

*to lock the rotation axes and focus point 1.5mm and 0.9mm HEX drivers are required.

1W ACCESSORIES



L-MTAS-10
ANGLED
SNOOT



L-MTBD-10
BARNDOOR



L-MTFH-10
FILTER HOLDER

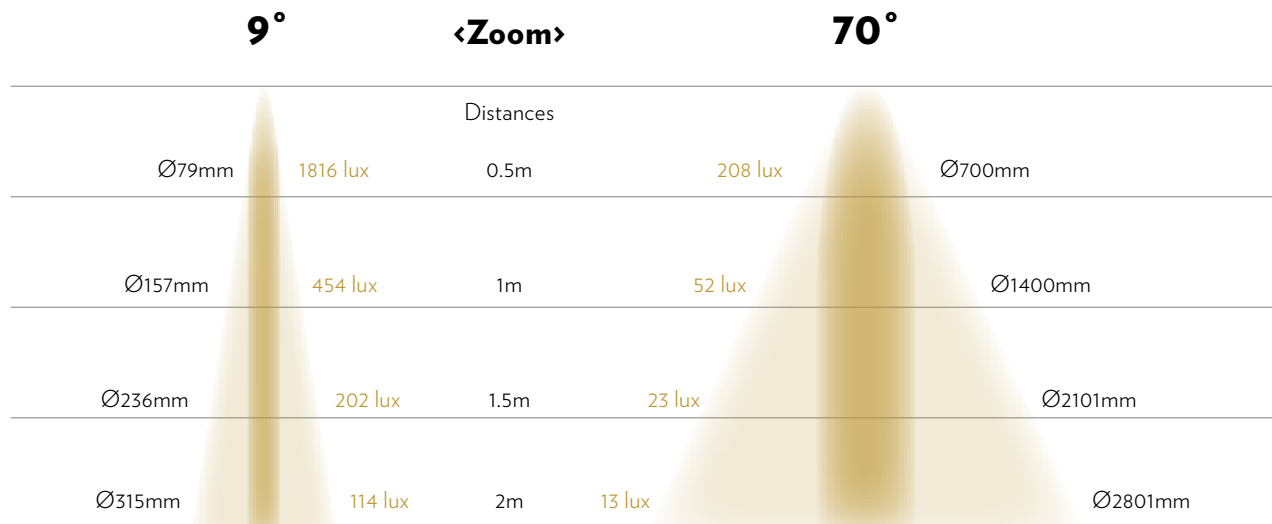


L-MTBR-10
BEAM REDUCER

TECHNICAL DATA

Voltage	12 VDC	Main Material	Aluminum
LED Wattage	1W	Color Finishing	Black, White and Silver
Wattage Once Used	1.2W	Storage Temperature	recommended 22°C
Input Current	110mA	Certificates / Standard	UL, CE
Beam Angles	Zoomable 9° to 70°	Warranty	5 years
Pan / Tilt	355° / 90°	Drivers Compatible	Constant Voltage
Luminous Efficiency of the LED	100lm/W @RA95 min	Lifespan	50 000 hours
Color Temperatures	3000K, 4000K, 5000K	Lens	Glass
Adapter	Luxam Micro Track	Led	SMD CERAMIC
Dimmable Options	On board Dimmer: PWM, range 0-100%	Class	III, Indoor use only
CRI	95 min	Rating	IP30
Weight	42g	Dimensions	58*45*60 (mm)

PHOTOMETRICS



DRIVERS COMPATIBLE

Driver	Short Description	Nbr of Fixtures	Setting
LPV-100-12	Constant Voltage driver, 100W	1 - 66	12V
LPV-60-12	Constant Voltage driver, 60W	1 - 40	12V
LPV-35-12	Constant Voltage driver, 35W	1 - 23	12V
NPF-90-12	Constant Voltage driver, 90W	1 - 60	12V
NPF-40-12	Constant Voltage driver, 40W	1 - 26	12V

VARIATIONS



L-MTSP-11
1W Remote Dimmer



L-MTSP-11-ND
1W Remote No Dimmer



L-MTSA-12
1W Standalone Onboard Dimmer



L-MSPS-10
1W Standalone Remote Dimmer



L-UPL-10-1/2/3/4
Stem Lights

Please check product cut sheets for details - driver indications vary per product.