

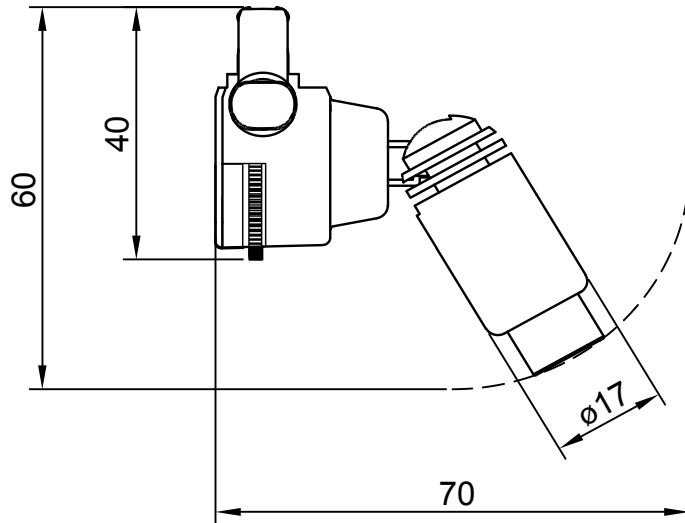
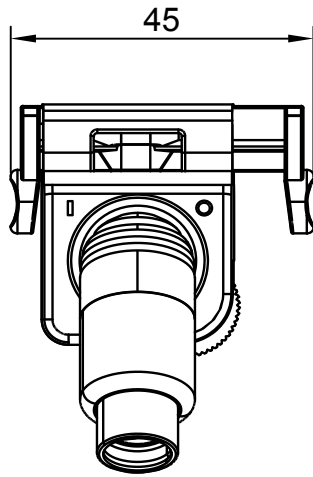


L-MTSP-11-ND
1W SPOTLIGHT

PRODUCT CUTSHEET



SCAN
FOR WEBSITE



FEATURES

- Fully compatible with all MicroTrack systems
- Fully focusable 9° to 70°
- Fully dimmable with onboard dimmer
- Accessories include Barndoors, Snoots, & Filter frames

No tools are needed for mounting and focusing the fixtures.*

*to lock the rotation axes and focus point 1.5mm and 0.9mm HEX drivers are required.

AVAILABLE ACCESSORIES



L-MTAS-10
ANGLED SNOOT



L-MTBD-10
BARNDOOR



L-MTFH-10
FILTER HOLDER

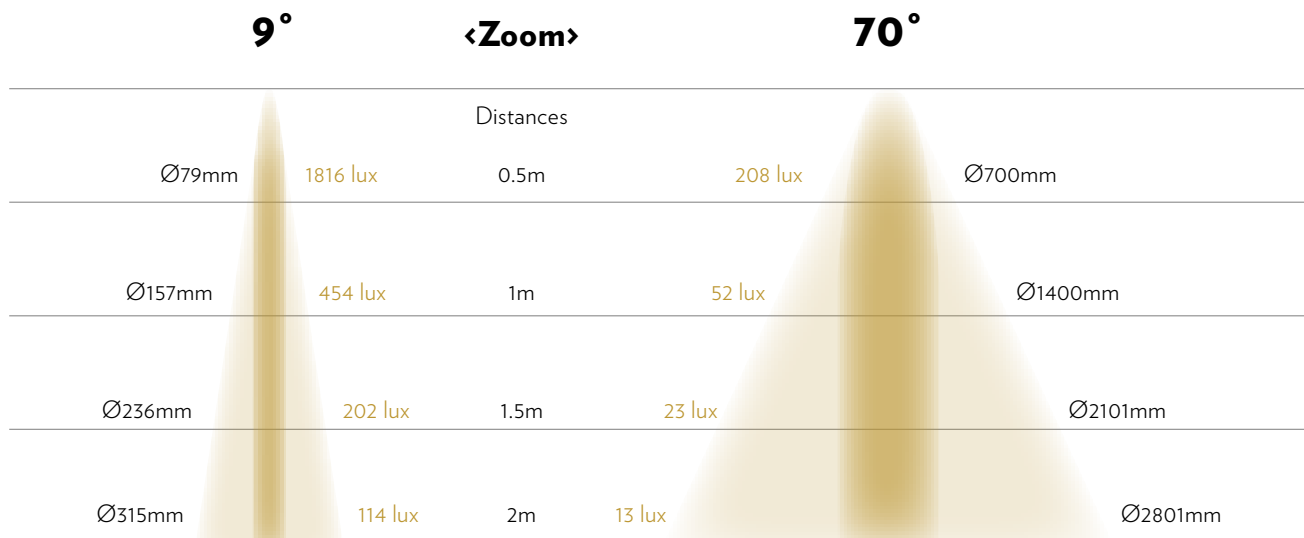


L-MTBR-10
BEAM REDUCER

TECHNICAL DATA

Voltage	12 VDC	Main Material	Aluminum
LED Wattage	1W	Color Finishing	Black, White and Silver
Wattage Once Used	1.2W	Storage Temperature	recommended 22°C
Input Current	110mA	Certificates / Standard	UL, CE
Beam Angles	Zoomable 9° to 70°	Warranty	5 years
Pan / Tilt	355° / 90°	Drivers Compatible	Constant Voltage
Luminous Efficiency of the LED	100lm/W @RA95 min	Lifespan	50 000 hours
Color Temperatures	3000K, 4000K, 5000K	Lens	Glass
Adapter	Luxam Micro Track	LED	SMD CERAMIC
Dimmable Options	External dimming with PWM 12V track driver	Class	III, Indoor use only
CRI	95 min	Rating	IP30
Weight	34g	Dimensions	58*45*60 (mm)

PHOTOMETRICS



DRIVERS COMPATIBLE

Driver	Short Description	Nbr of Fixtures	Setting
LM-60-12-U1A2	Constant Voltage driver with 0-10V control, 60W	1 - 40	12V
LM-60-12-U1M2	Constant Voltage driver with DMX control, 50W	1 - 40	12V

*The number of fixtures per driver is calculated based on 80% capacity for safety reasons.

VARIATIONS



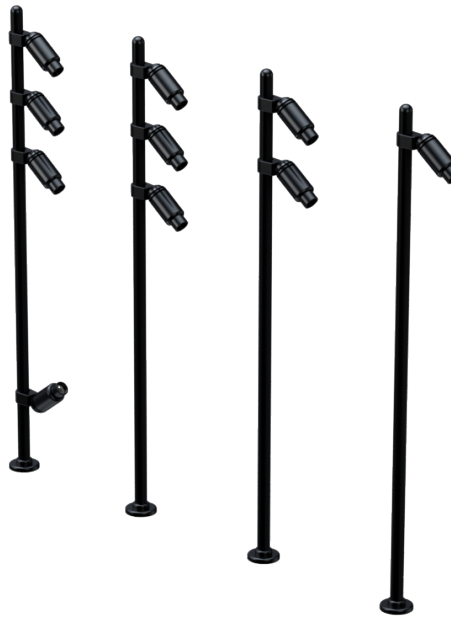
L-MTSP-11
1W Remote Dimmer



L-MTSA-12
1W Standalone Onboard Dimmer



L-MSPS-10
1W Standalone Remote Dimmer



L-UPL-10-1/2/3/4
Stem Lights

Please check product cut sheets for details - driver indications vary per product.