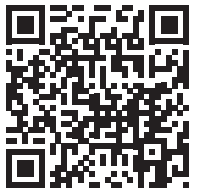
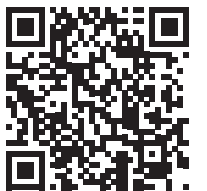




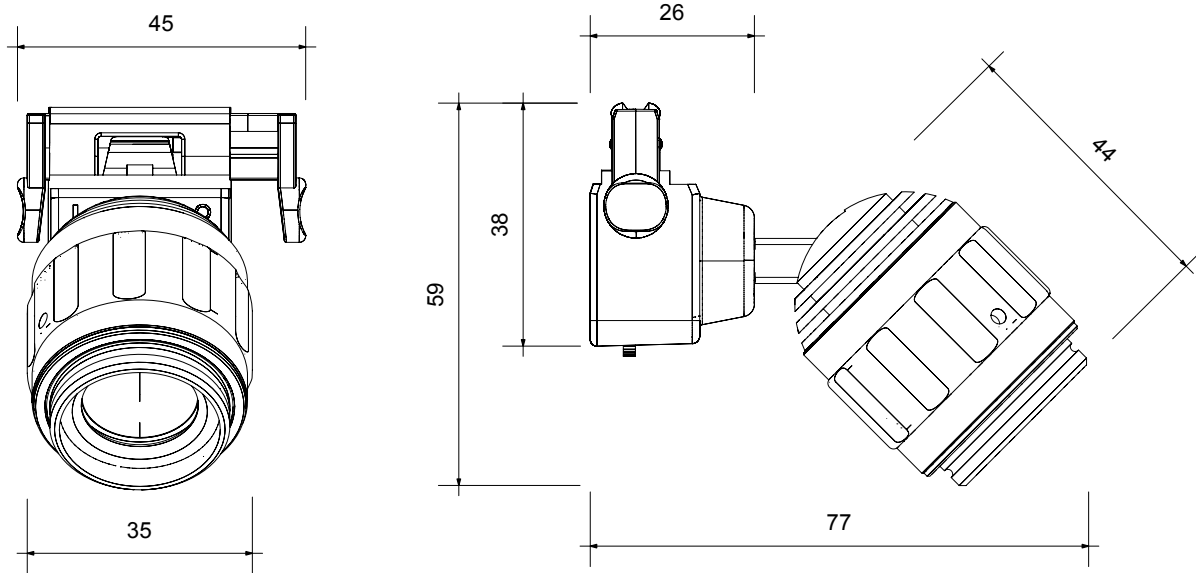
**L-MTSP - 02**  
**3W SPOTLIGHT**  
PRODUCT CUTSHEET



**SCAN**  
TO VIEW VIDEO



**SCAN**  
FOR WEBSITE



## FEATURES

- Fully compatible with all MicroTrack systems
- Focusable 8° to 56°
- Fully Dimmable with onboard dimmer
- Full range of accessories include Barndoors, Snoots & Filter Frames

No tools are needed for mounting and focusing the fixtures.\*

\*to lock the rotation axes and focus point 1.5mm and 0.9mm HEX drivers are required.

## 3W ACCESSORIES



**L-MTFH-01**  
FILTER HOLDER



**L-MTAR-01**  
ARCHITECTURAL  
LENS



**L-MTSN-01**  
SNOOT



**L-MTSC-01**  
CONE SNOOT



**L-MTAS-01**  
ANGLED  
SNOOT



**L-MTBD-01**  
BARNDOOR

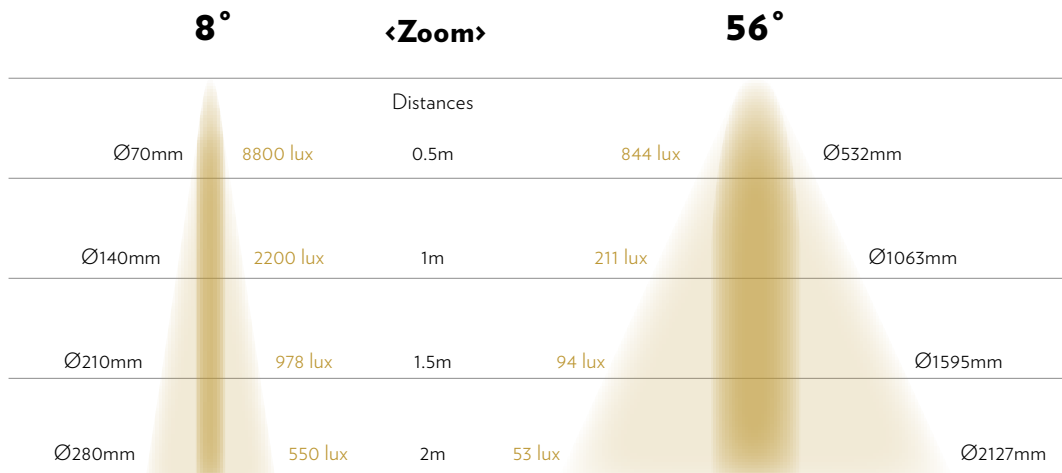


**L-MTBS-01**  
BOOSTER

**TECHNICAL DATA**

<b>Voltage</b>	12 VDC	<b>Color Finishing</b>	Aluminum
<b>Led Wattage</b>	3W	<b>Storage Temperature</b>	Black, White and Silver
<b>Wattage Once Used</b>	3.8W	<b>Certificates / Standard</b>	recommended 22°C
<b>Input Current</b>	340mA	<b>Warranty</b>	UL, CE
<b>Beam Angles</b>	Zoomable 8° to 56°	<b>Drivers Compatible</b>	5 years
<b>Pan / Tilt</b>	355° / 90°	<b>Lifespan</b>	Constant Voltage
<b>Luminous Efficiency of the LED</b>	100lm/W @RA95 min	<b>Lens</b>	50 000 hours
<b>Color Temperatures</b>	3000K, 4000K, 5000K	<b>LED</b>	Glass
<b>Adapter</b>	Luxam Micro Track	<b>Class</b>	SMD CERAMIC
<b>Dimmable Options</b>	On board Dimmer: PWM, range 0-100%	<b>Rating</b>	III, Indoor use only
<b>CRI</b>	95 min	<b>Dimensions</b>	IP30
<b>Weight</b>	96g	<b>Lenght of Tail</b>	90*45*69 (mm)
<b>Main Material</b>	Aluminum		

**PHOTOMETRICS**



ALL VALUES IN LUX ARE GIVEN FOR A CURRENT OF 1000MA (3W)

**DRIVERS COMPATIBLE**

Driver	Short Description	Nbr of Fixtures	Setting
LPV-100-12	Constant Voltage driver, 100W	1 - 21	12V
LPV-60-12	Constant Voltage driver, 60W	1 - 12	12V
LPV-35-12	Constant Voltage driver, 35W	1 - 7	12V
NPF-90-12	Constant Voltage driver, 90W	1 - 18	12V
NPF-40-12	Constant Voltage driver, 40W	1 - 8	12V

**SCREW SIZES** Focus and Articulation: 1.5mm

\*The number of fixtures per driver is calculated based on 80% capacity for safety reasons.

**VARIATIONS**



**L-MTSP-01-ND**  
3W Spotlight  
Remote Dimmer



**L-MSPS-00**  
3W Standalone  
Remote Dimmer



**L-MTSA-02**  
3W Standalone  
Onboard Dimmer

Please check product cut sheets for details - driver indications vary per product.