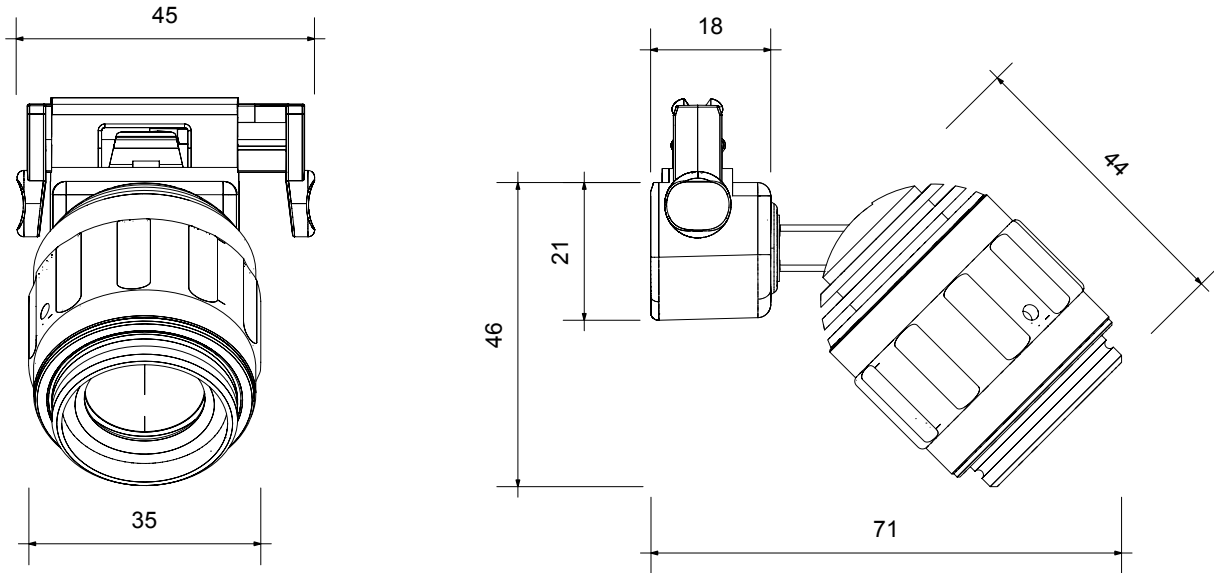




**L-MTSP-01-ND**  
**3W SPOTLIGHT**  
PRODUCT CUTSHEET



**SCAN**  
FOR WEBSITE



**FEATURES**

- Fully compatible with all Micro Track systems
- Fully focusable 8° to 56°
- No onboard dimmer - Can dim the whole track.
- Accessories include Barndoors, Snoots, & Filter frames

No tools are needed for mounting and focusing the fixtures.\*

\*to lock the rotation axes and focus point 1.5mm and 0.9mm HEX drivers are required.

**AVAILABLE ACCESSORIES**



**L-MTFH-01**  
FILTER  
HOLDER



**L-MTAR-01**  
ARCHITECTURAL  
LENS



**L-MTSN-01**  
SNOOT



**L-MTSC-01**  
CONE  
SNOOT



**L-MTAS-01**  
ANGLED  
SNOOT



**L-MTBD-01**  
BARNDOOR

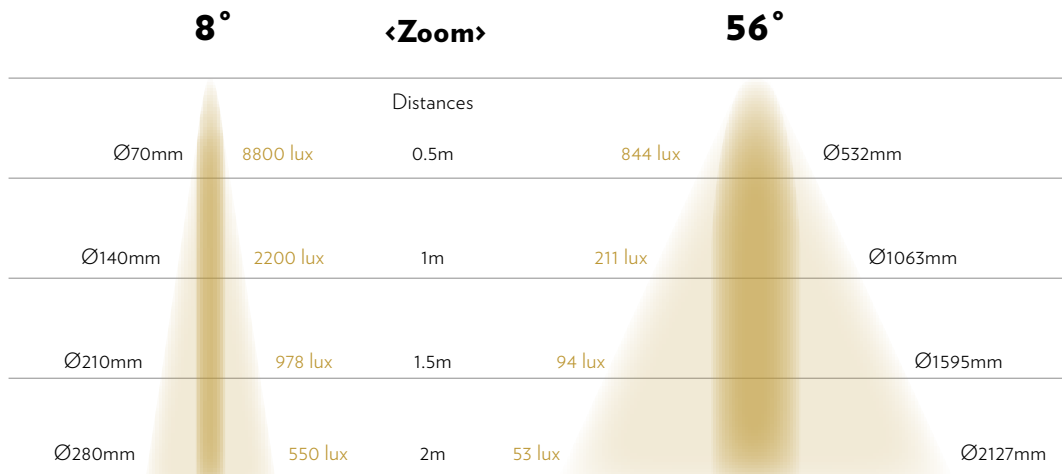


**L-MTBS-01**  
BOOSTER

**TECHNICAL DATA**

<b>Voltage</b>	12 VDC	<b>Main Material</b>	Aluminum
<b>LED Wattage</b>	3W	<b>Color Finishing</b>	Black, White and Silver
<b>Wattage Once Used</b>	3.8W	<b>Storage Temperature</b>	recommended 22°C
<b>Input Current</b>	340mA	<b>Certificates / Standard</b>	UL, CE
<b>Beam Angles</b>	Zoomable 8° to 56°	<b>Warranty</b>	5 years
<b>Pan / Tilt</b>	355° / 90°	<b>Drivers Compatible</b>	Constant Voltage
<b>Luminous Efficiency of the LED</b>	100lm/W @RA95 min	<b>Lifespan</b>	50 000 hours
<b>Color Temperatures</b>	3000K, 4000K, 5000K	<b>Lens</b>	Glass
<b>Adapter</b>	Luxam Micro Track	<b>LED</b>	SMD CERAMIC
<b>Dimmable Options</b>	External dimming with PWM 12V track driver	<b>Class</b>	III, Indoor use only
<b>CRI</b>	95 min	<b>Rating</b>	IP30
<b>Weight</b>	79g	<b>Dimensions</b>	90*45*69 (mm)

**PHOTOMETRICS**



ALL VALUES IN LUX ARE GIVEN FOR A CURRENT OF 1000MA (3W)

**DRIVERS COMPATIBLE**

Driver	Short Description	Nbr of Fixtures	Setting
LM-60-12-U1A2	Constant Voltage driver with 0-10V control, 60W	1 - 12	12V
LM-60-12-U1M2	Constant voltage driver with DMX control, 60W	1 - 12	12V

For safety and to optimize the driver's lifespan, we recommend not exceeding 80% of its maximum load.

**SCREW SIZES** Focus and tilt Hex 1.5mm

**VARIATIONS**



**L-MTSP-02**  
3W Spotlight



**L-MSPS-00**  
3W Standalone  
Head



**L-MTSA-02**  
3W Standalone  
Onboard Dimmer

Please check product cut sheets for details - driver indications vary per product.