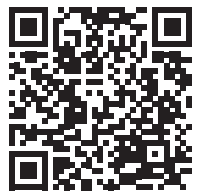


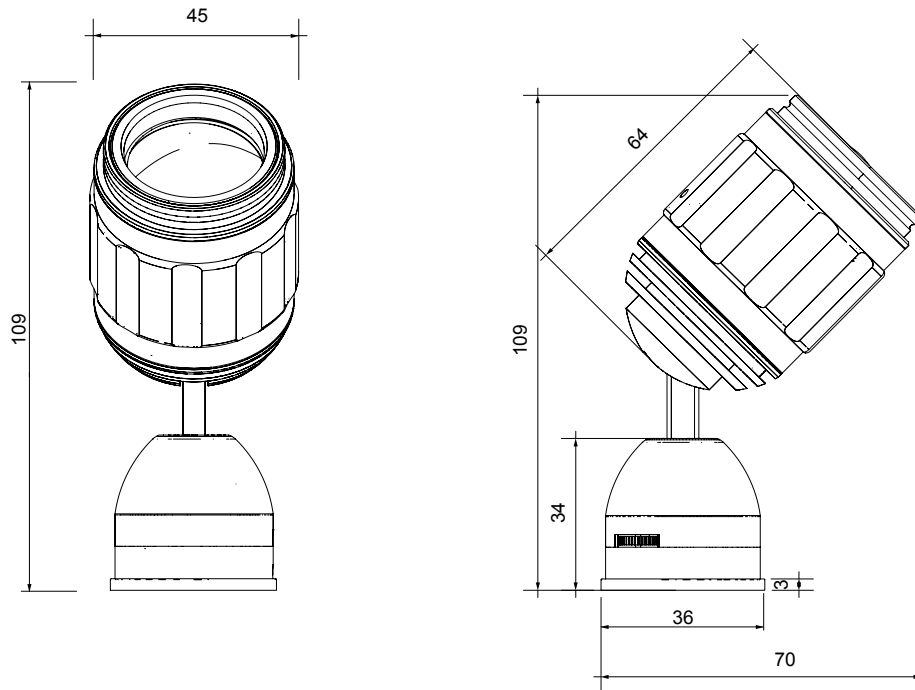


L-MTSA-22
6W STANDALONE HEAD

PRODUCT CUTSHEET



SCAN
FOR WEBSITE



FEATURES

- Standalone version with Magnetic & Screw base
- Focusable 8° to 55°
- Fully dimmable with onboard dimmer
- Easily interchangeable between 3 head options using the same base
- Full range of accessories include Barndoors, Snoots & Filter Frames

No tools are needed for mounting and focusing the fixtures*

*to lock the rotation axes and focus point 1.5mm and 0.9mm HEX drivers are required.

AVAILABLE ACCESSORIES



L-MTAS-20
ANGLED
SNOOT



L-MTBD-20
BARNDOOR

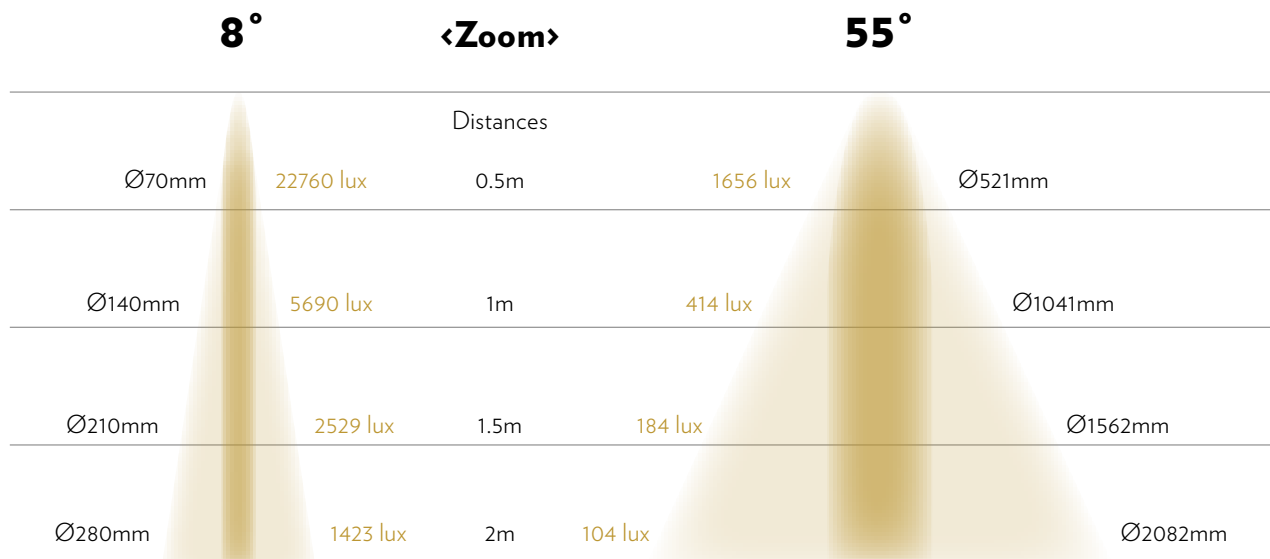


L-MTFH-20
FILTER HOLDER

TECHNICAL DATA

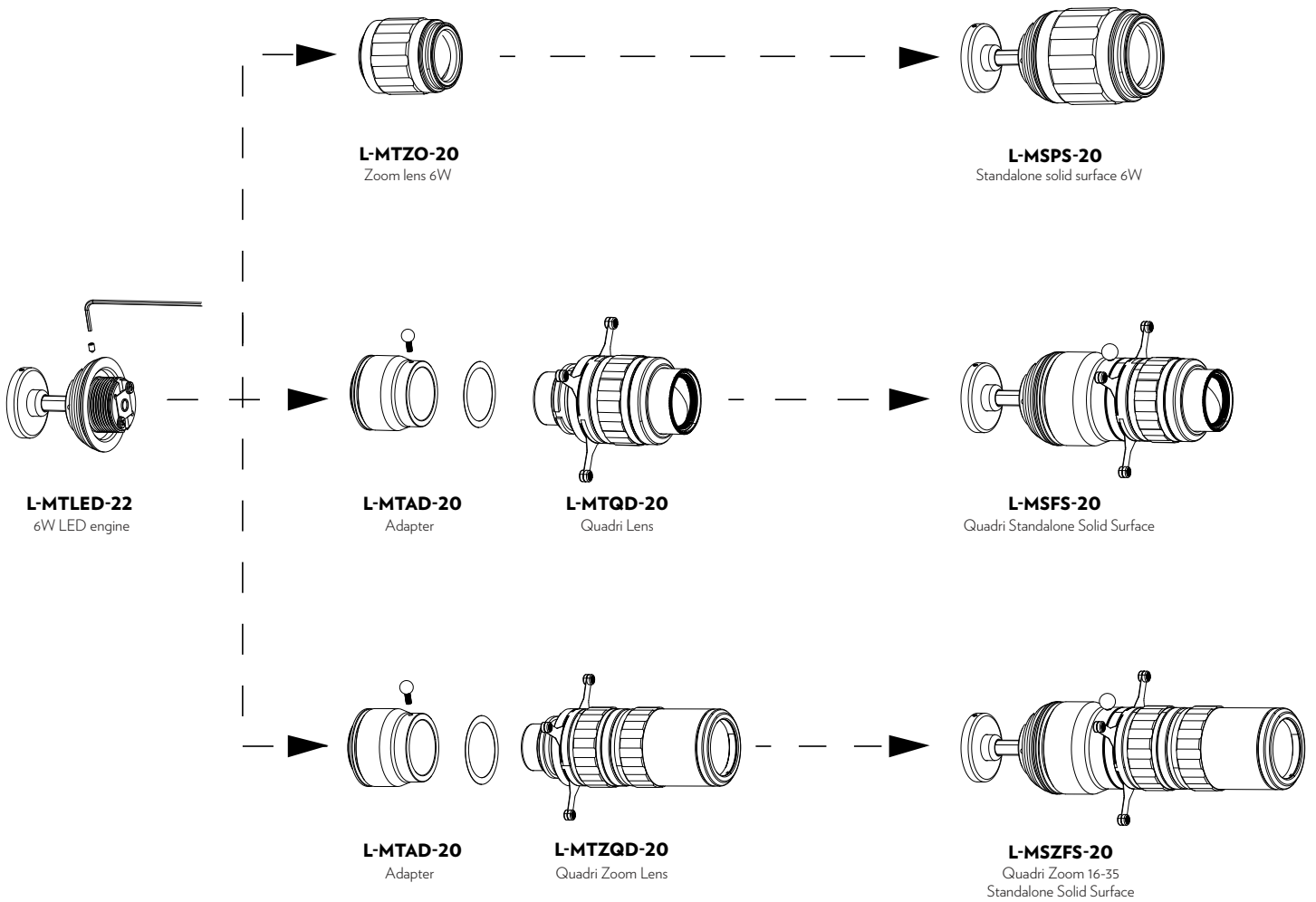
Voltage	11-24 VDC	Color Finishing	Black, White and Silver
Led Wattage	6W	Storage Temperature	recommended 22°C
Wattage Once Used	7.8W	Certificates / Standard	UL, CE
Input Current	700-330mA	Warranty	5 years
Beam Angles	Zoomable 8° to 55°	Drivers Compatible	Constant Voltage
Pan / Tilt	355° / 90°	Lifespan	50 000 hours
Luminous Efficiency of the LED	100lm/W @RA97 min	Lens	Glass
Color Temperatures	3000K, 4000K, 5000K	LED	SMD CERAMIC
Adapter	Surface mount	Class	III, Indoor use only
Dimmable Options	On board Dimmer: PWM, range 0-100%	Rating	IP30
CRI	97 min	Dimensions	76*45*115 (mm)
Weight	218g	Lenght of Tail	145cm
Main Material	Aluminum		

PHOTOMETRICS





6W Spotlights can transform into Zoom Spotlights, Quadri-Framing Shutter Spotlights, and Quadri Zoom Framing-Shutter Spotlights - with one body you can have either a spotlight or a framing shutter spotlight.





DRIVERS

Driver	Short Description	Nbr of Fixtures	Setting
LPV-100-12	Constant Voltage driver, 100W	1 - 10	12V
LPV-60-12	Constant Voltage driver, 60W	1 - 6	12V
LPV-35-12	Constant Voltage driver, 35W	1 - 3	12V
NPF-90-12	Constant Voltage driver, 90W	1 - 9	12V
NPF-40-12	Constant Voltage driver, 40W	1 - 4	12V

VARIATIONS



Please check product cut sheets for details - driver indications vary per product.