

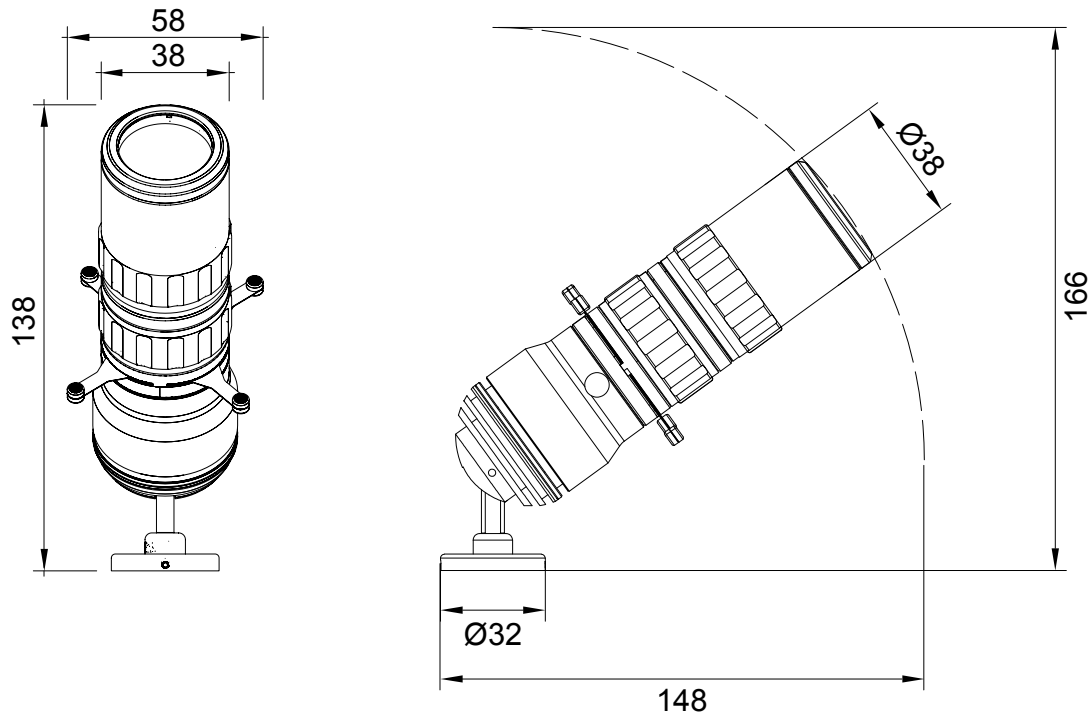


L-MSZFS-20
6W QUADRI-ZOOM STANDALONE
SOLID SURFACE

PRODUCT CUTSHEET



SCAN
FOR WEBSITE



FEATURES

- Zoom 15-36° framing shutter lens
- Can be remotely dimmable with various control options, such as 0-10V, DMX, etc.
- Magnet base option available
- Easily interchangeable between 3 head options using the same base
- Accessories including Filter frame, Gobo

No tools are needed for focusing the fixtures.*

* to lock the rotation axes and focus point 1.5mm and 0.9mm HEX drivers are required.

AVAILABLE ACCESSORIES



L-MTFHZQ-20
FILTER HOLDER

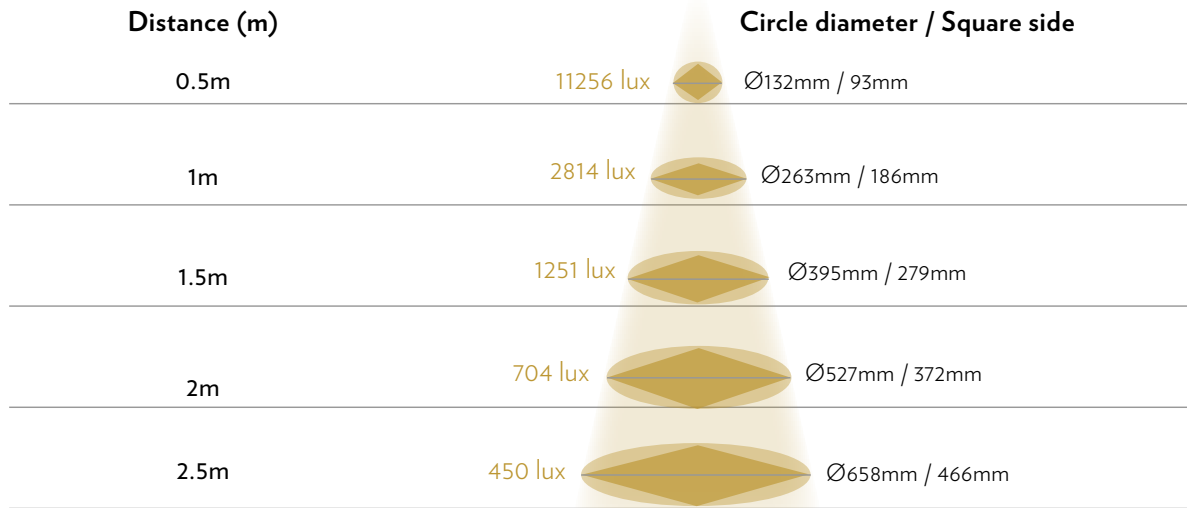
TECHNICAL DATA

Voltage	not to mentioned	Color Finishing	Black, White and Silver
LED Wattage	6W	Storage Temperature	recommended 22°C
Wattage Once Used	6W	Certificates / Standard	UL, CE
Input Current	165mA	Warranty	5 years
Beam Angles	15-36°	Drivers Compatible	Constant Current
Pan / Tilt	355° / 90°	Lifespan	50 000 hours
Luminous Efficiency of the LED	100lm/W @RA97 min	Lens	Glass
Color Temperatures	3000K, 4000K, 5000K	LED	SMD CERAMIC
Adapter	Surface mount	Class	III, Indoor use only
Dimmable Options	Dimmable with PWM driver	Rating	IP30
CRI	97 min	Dimensions	142*75*164 (mm)
Weight	351g	Indoor Use	not to mentioned
Main Material	Aluminum	Lenght of Tail	145cm

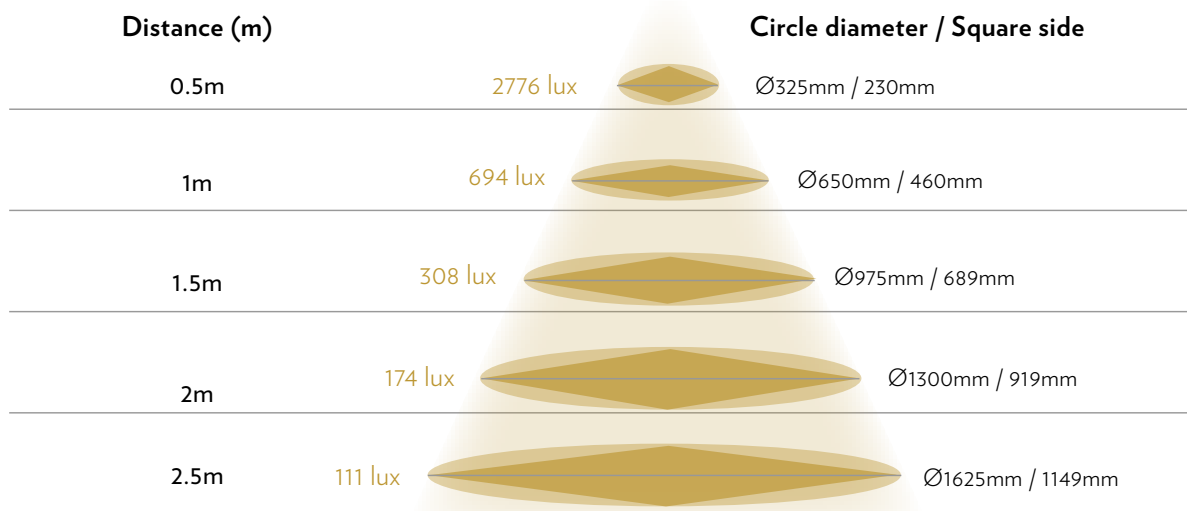


PHOTOMETRICS

15°

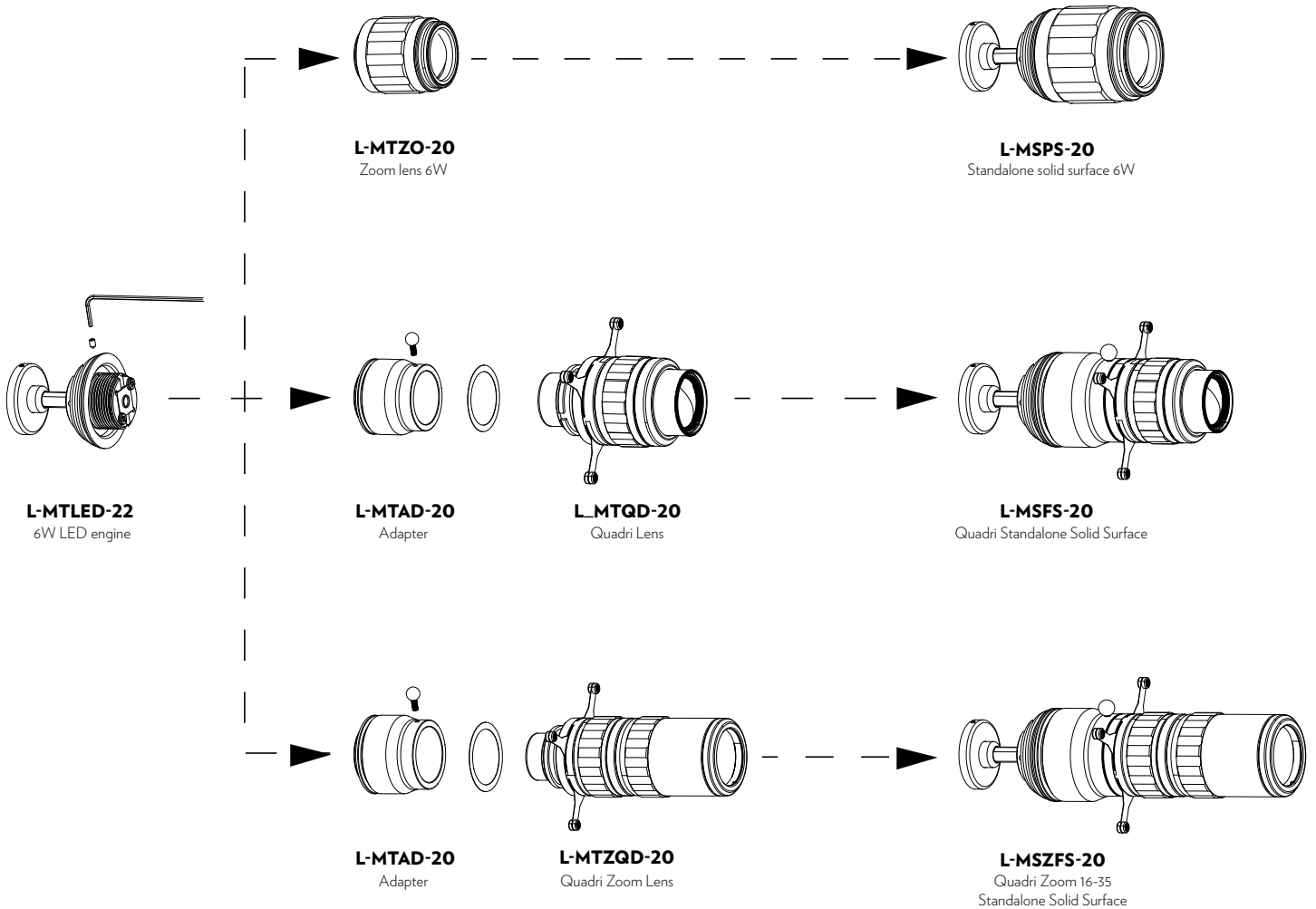


36°





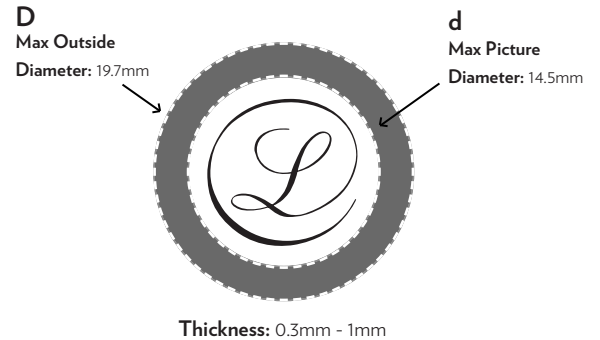
6W Spotlights can transform into Zoom Spotlights, Quadri-Framing Shutter Spotlights, and Quadri Zoom Framing-Shutter Spotlights - with one body you can have either a spotlight or a framing shutter spotlight.



Please check product cut sheets for details - driver indications vary per product.

GOBO DETAILS

A gobo adds depth and texture to your setup. The L-MSZFS-20 6W Quadri Zoom Framing Shutter accepts 19.7mm outer diameter, 14.5mm inner diameter, 0.3mm-1mm thick glass or stainless steel gobos, including full color glass and plastic options.



LENS CODES: L-MTZQ-1536 and L-MTQD-55

DRIVERS COMPATIBLE

Driver	Short Description	Nbr of Fixtures	Setting
SE-20-100-700-W1A	Constant Current driver with 0-10V control, 20W, 1 channel	1	165mA (9-42V)
OT 12W UNV 0A3 DUALDIM DIM-1 F	Constant Current driver with 0-10V control, 12W, 1 channel	1	165mA (26-42V)
DMX-25-150-900-U1P1	Constant Current driver with manual/DMX control, 25W x 6 channels*	1	150mA (10-54V)
L-CT-DMX/RDW-6W-6CH	Constant Current driver with manual/DMX control, 6W x 6 channels*	1 per channel	165mA (35.5V)

*To use with 6W L-MS...-20 spotlights only

VARIATIONS



Please check product cut sheets for details - driver indications vary per product.