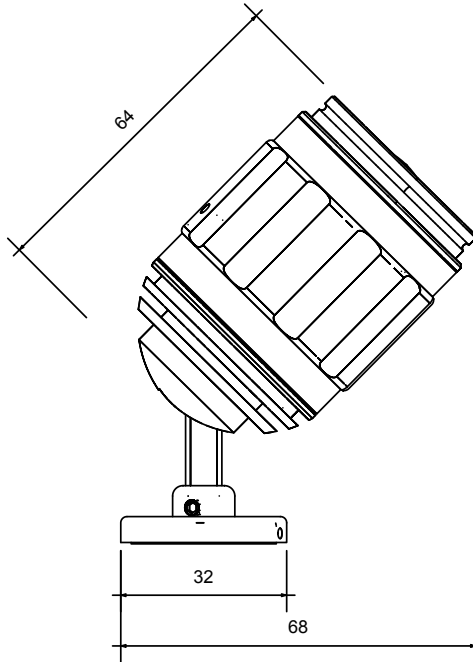
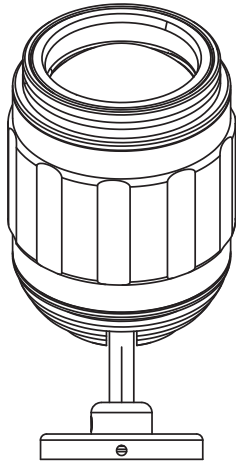




L-MSPS-20
6W SPOTLIGHT
PRODUCT CUTSHEET



SCAN
FOR WEBSITE



FEATURES

- Fully focusable 8° to 55°
- Can add dimmer to the driver
- Accepts all 6W accessories
- Magnet base option available

No tools are needed for mounting and focusing the fixtures*

*to lock the rotation axes and focus point 1.5mm and 0.9mm HEX drivers are required.

6W ACCESSORIES



L-MTAS-20
ANGLED
SNOOT



L-MTBD-20
BARNDOOR

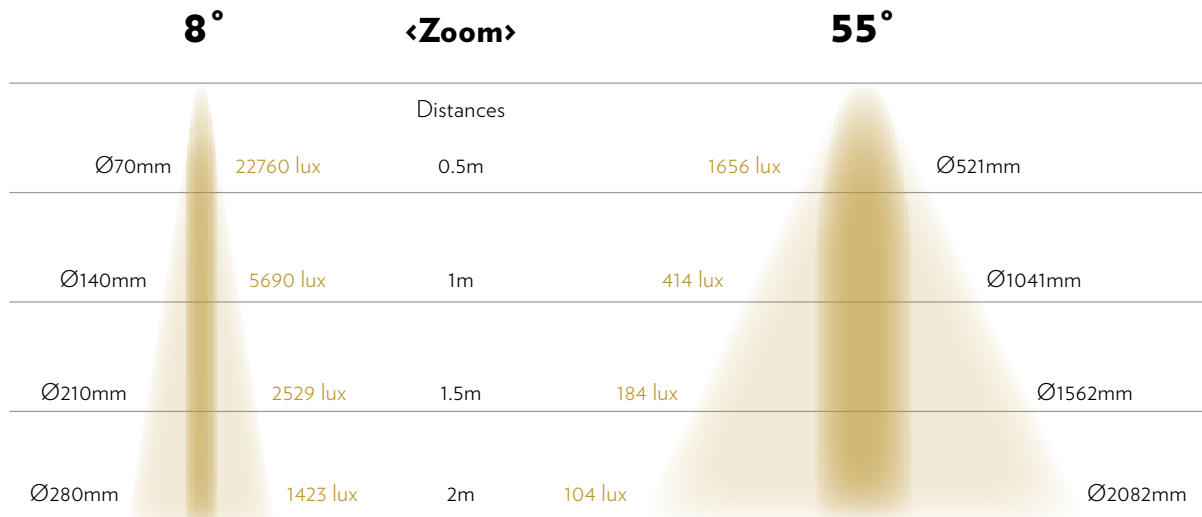


L-MTFH-20
FILTER HOLDER

TECHNICAL DATA

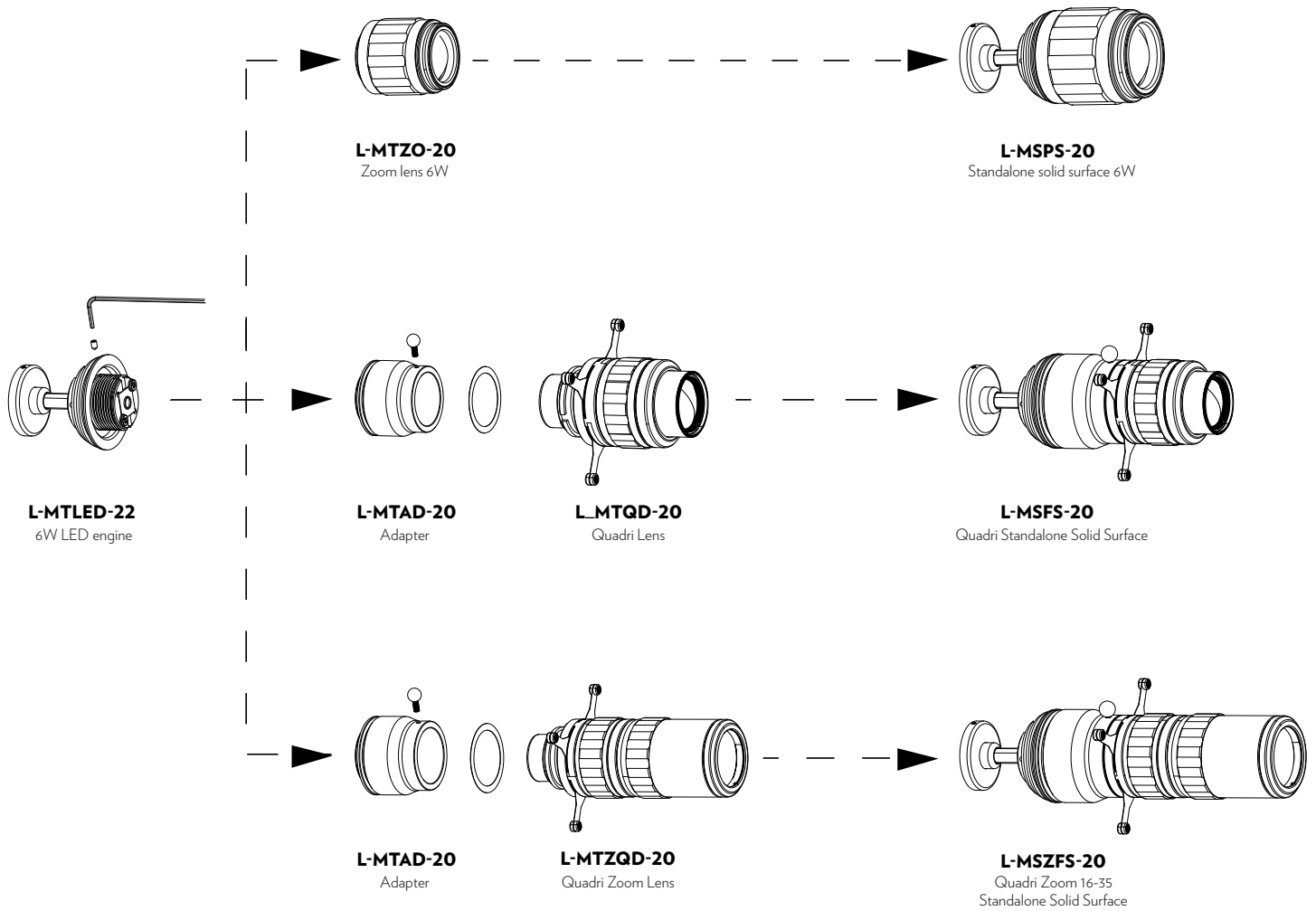
Voltage	not to mentioned	Color Finishing	Black, White and Silver
Led Wattage	6W	Storage Temperature	recommended 22°C
Wattage Once Used	6W	Certificates / Standard	UL, CE
Input Current	165mA	Warranty	5 years
Beam Angles	Zoomable 8° to 55°	Drivers Compatible	Constant Current
Pan / Tilt	355° / 90°	Lifespan	50 000 hours
Luminous Efficiency of the LED	100lm/W @RA97 min	Lens	Glass
Color Temperatures	3000K, 4000K, 5000K	LED	SMD CERAMIC
Adapter	Surface mount	Class	III, Indoor use only
Dimmable Options	Dimmable with PWM driver	Rating	IP30
CRI	97 min	Dimensions	75*45*92 (mm)
Weight	172g	Lenght Of Tail	145cm
Main Material	Aluminum		

PHOTOMETRICS





6W Spotlights can transform into Zoom Spotlights, Quadri-Framing Shutter Spotlights, and Quadri Zoom Framing-Shutter Spotlights - with one body you can have either a spotlight or a framing shutter spotlight.



DRIVERS COMPATIBLE

Driver	Short Description	Nbr of Fixtures	Setting
SE-20-100-700-W1A	Constant Current driver with DMX control, 20W, 1 channel	1	165mA (9-42V)
DMX-25-150-900-U1P1	Constant Current driver with manual/DMX control, 25W 1 channel	1	150mA (10-54V)
L-CT-DMX/RDM-6W-6CH	Constant Current driver with manual/DMX control, 6W x 6 channels*	1 per channel	165mA (35.4V)

VARIATIONS



Please check product cut sheets for details - driver indications vary per product.