

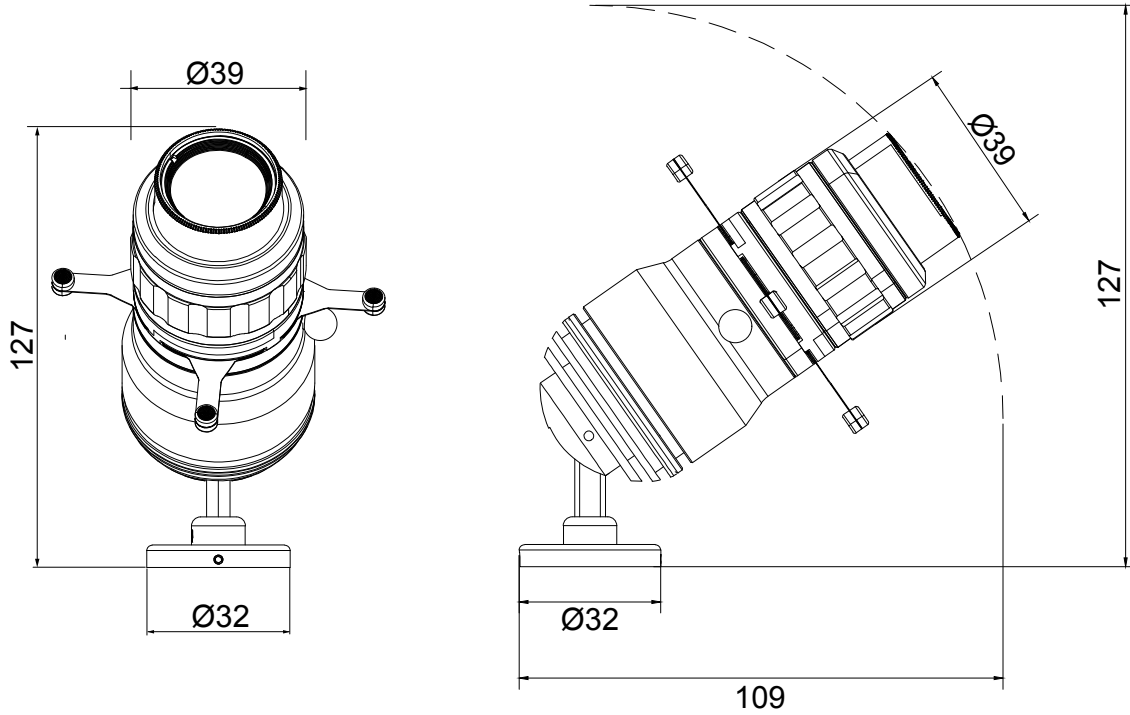


**L-MSFS-20**  
**6W QUADRI-STANDALONE**  
**SOLID SURFACE**

PRODUCT CUTSHEET



**SCAN**  
FOR WEBSITE



## FEATURES

- Fix 55° framing shutter lens
- Remotely dimmable with various control options, such as 0-10V, DMX, etc.
- Magnet base option available
- Easily interchangeable between 3 head options using the same base.
- Accessories including Filter frame, Gobo holder & more

No tools are needed for mounting and focusing the fixtures.\*

\* to lock the rotation axes and focus point 1.5mm and 0.9mm HEX drivers are required.

## AVAILABLE ACCESSORIES

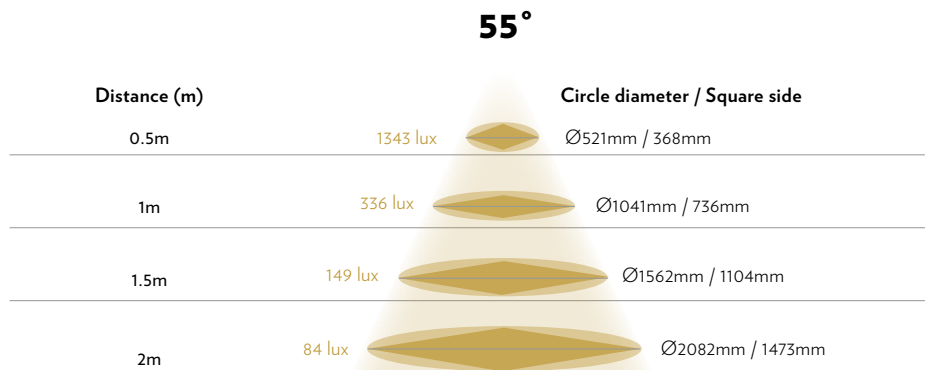


**L-MTFHQ-20**  
FILTER HOLDER

**TECHNICAL DATA**

<b>Voltage</b>	not to mentionned	<b>Color Finishing</b>	Black, White and Silver
<b>LED Wattage</b>	6W	<b>Storage Temperature</b>	recommended 22°C
<b>Wattage Once Used</b>	6W	<b>Certificates / Standard</b>	UL, CE
<b>Input Current</b>	165mA	<b>Warranty</b>	5 years
<b>Beam Angles</b>	55°	<b>Drivers Compatible</b>	Constant Current
<b>Pan / Tilt</b>	355° / 90°	<b>Lifespan</b>	50 000 hours
<b>Luminous Efficiency of the LED</b>	100lm/W @RA97 min	<b>Lens</b>	Glass
<b>Color Temperatures</b>	3000K, 4000K, 5000K	<b>LED</b>	SMD CERAMIC
<b>Adapter</b>	Surface mount	<b>Class</b>	III, Indoor use only
<b>Dimmable Options</b>	Dimmable with PWM driver	<b>Rating</b>	IP30
<b>CRI</b>	97 min	<b>Dimensions</b>	93*75*108 (mm)
<b>Weight</b>	271g	<b>Indoor Use</b>	not to mentionned
<b>Main Material</b>	Aluminum	<b>Lenght Of Tail</b>	145cm

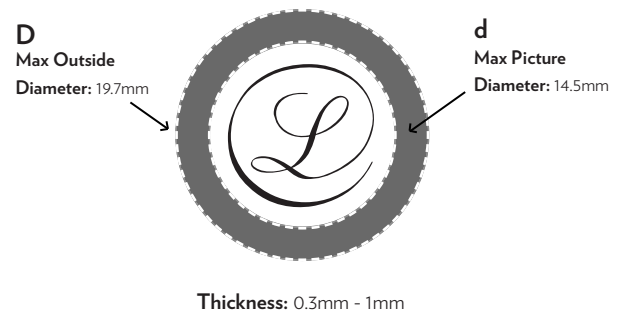
**PHOTOMETRICS**



**GOBO DETAILS**

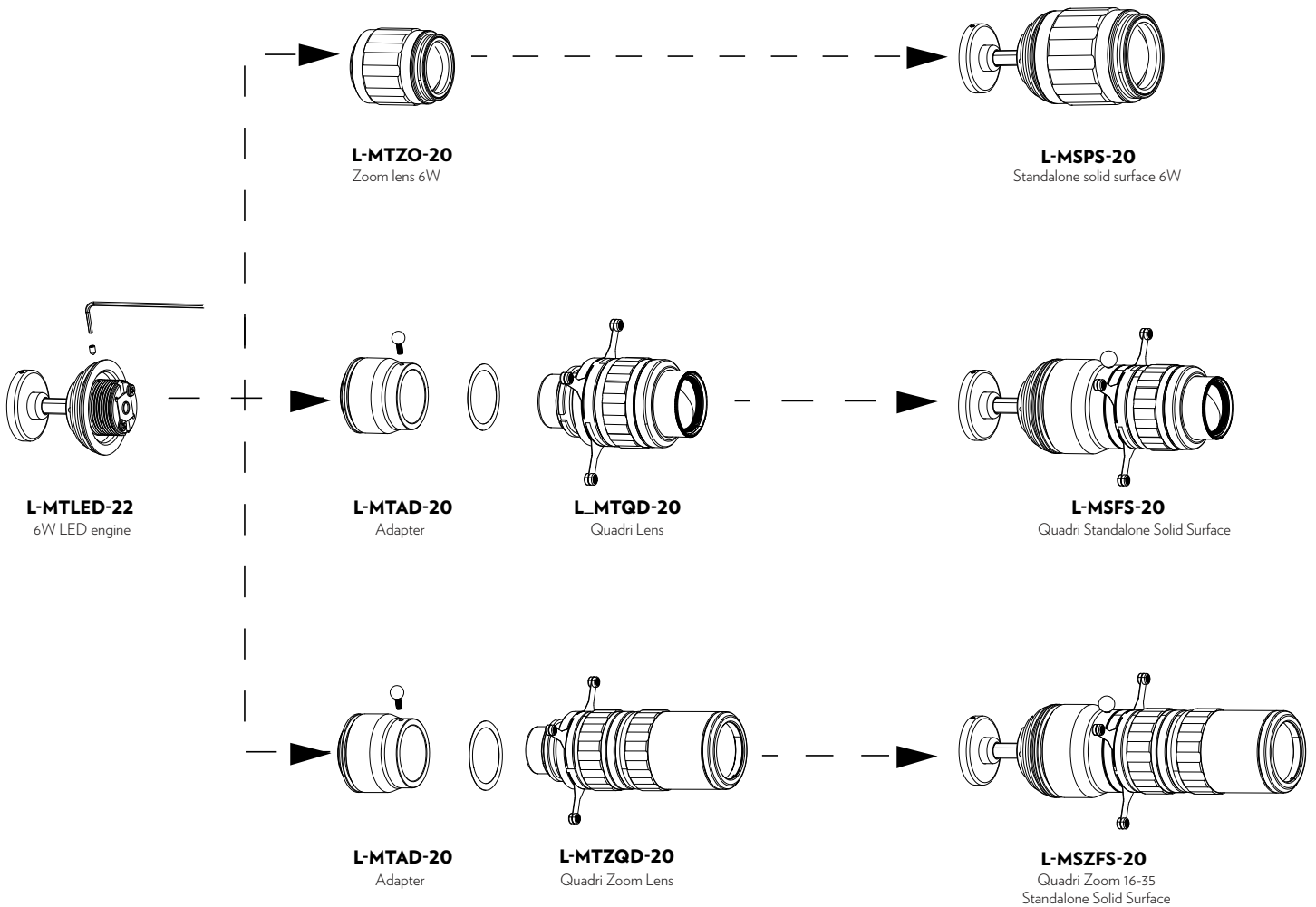
A gobo adds depth and texture to your setup. The L-MSFS-20 6W Quadri Standalone accepts 19.7mm outer diameter, 14.5mm inner diameter, 0.3mm-1mm thick glass or stainless steel gobos, including full color glass and plastic options.

**LENS CODES:** L-MTZQ-1536 and L-MTQD-55





6W Spotlights can transform into Zoom Spotlights, Quadri-Framing Shutter Spotlights, and Quadri Zoom Framing-Shutter Spotlights - with one body you can have either a spotlight or a framing shutter spotlight.



**DRIVERS COMPATIBLE**

Driver	Short Description	Nbr of Fixtures	Setting
SE-20-100-700-W1A	Constant Current driver with 0-10V control, 20W, 1 channel	1	165mA (10-54V)
DMX-25-150-900-U1P1	Constant Current driver with DMX control, 25W, 1 channel	1	150mA (10-54V)
L-CT-DMX/RDM-6W-6CH	Constant Current driver with manual/DMX control, 6W x 6 channels*	1 per channel	165mA (35.4V)

\*To use with 6W L-MS..-20 spotlights only

**VARIATIONS**



Please check product cut sheets for details - driver indications vary per product.