

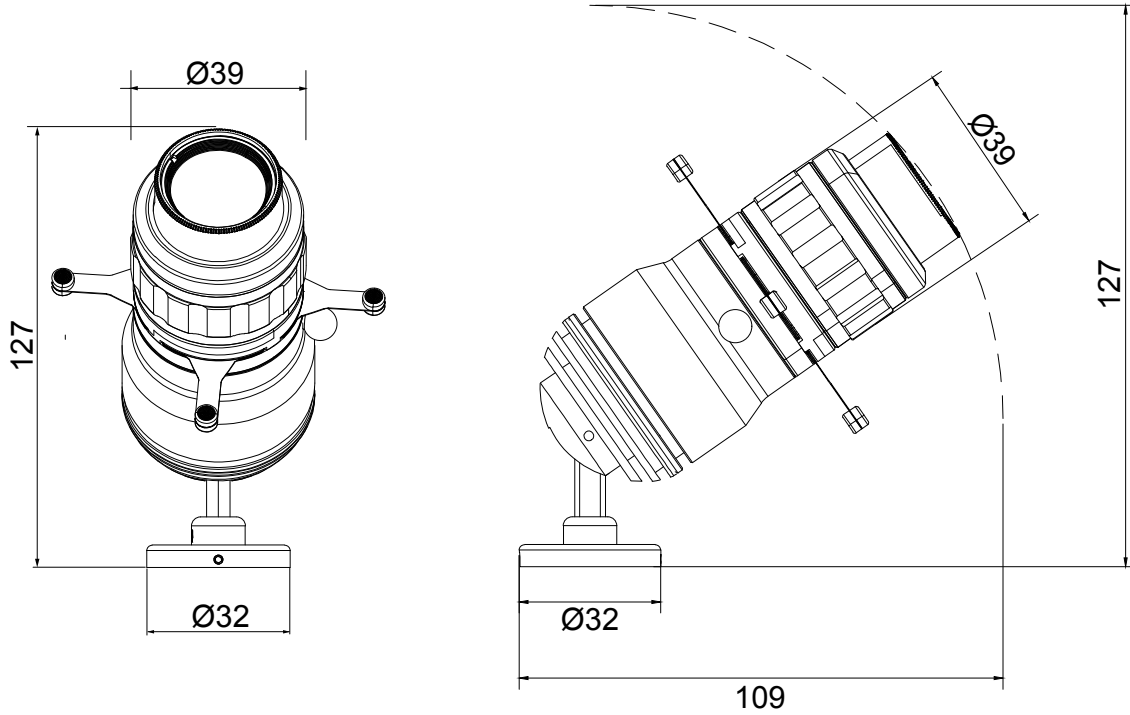


L-MSFS-20
6W QUADRI-STANDALONE
SOLID SURFACE

PRODUCT CUTSHEET



SCAN
FOR WEBSITE



FEATURES

- Fix 55° framing shutter lens
- Remotely dimmable with various control options, such as 0-10V, DMX, etc.
- Magnet base option available
- Easily interchangeable between 3 head options using the same base.
- Accessories including Filter frame, Gobo holder & more

No tools are needed for mounting and focusing the fixtures.*

* to lock the rotation axes and focus point 1.5mm and 0.9mm HEX drivers are required.

AVAILABLE ACCESSORIES

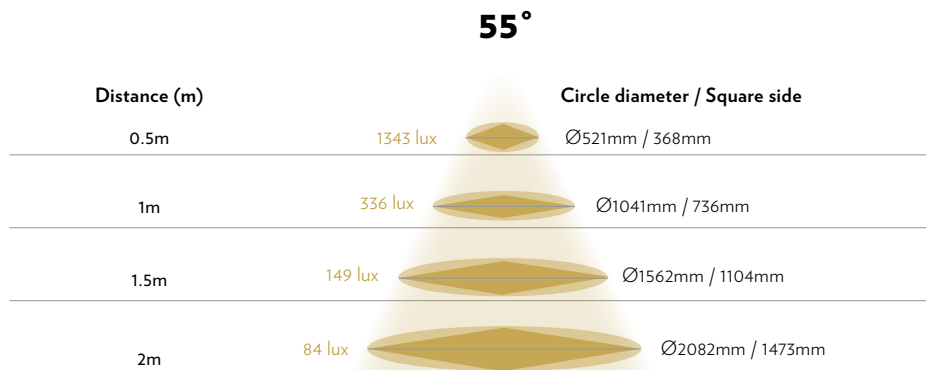


L-MTFHQ-20
FILTER HOLDER

TECHNICAL DATA

Voltage	not to mentionned	Color Finishing	Black, White and Silver
LED Wattage	6W	Storage Temperature	recommended 22°C
Wattage Once Used	6W	Certificates / Standard	UL, CE
Input Current	165mA	Warranty	5 years
Beam Angles	55°	Drivers Compatible	Constant Current
Pan / Tilt	355° / 90°	Lifespan	50 000 hours
Luminous Efficiency of the LED	100lm/W @RA97 min	Lens	Glass
Color Temperatures	3000K, 4000K, 5000K	LED	SMD CERAMIC
Adapter	Surface mount	Class	III, Indoor use only
Dimmable Options	Dimmable with PWM driver	Rating	IP30
CRI	97 min	Dimensions	93*75*108 (mm)
Weight	271g	Indoor Use	not to mentionned
Main Material	Aluminum	Lenght Of Tail	145cm

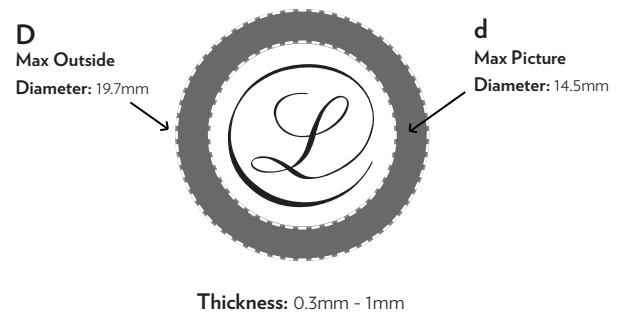
PHOTOMETRICS



GOBO DETAILS

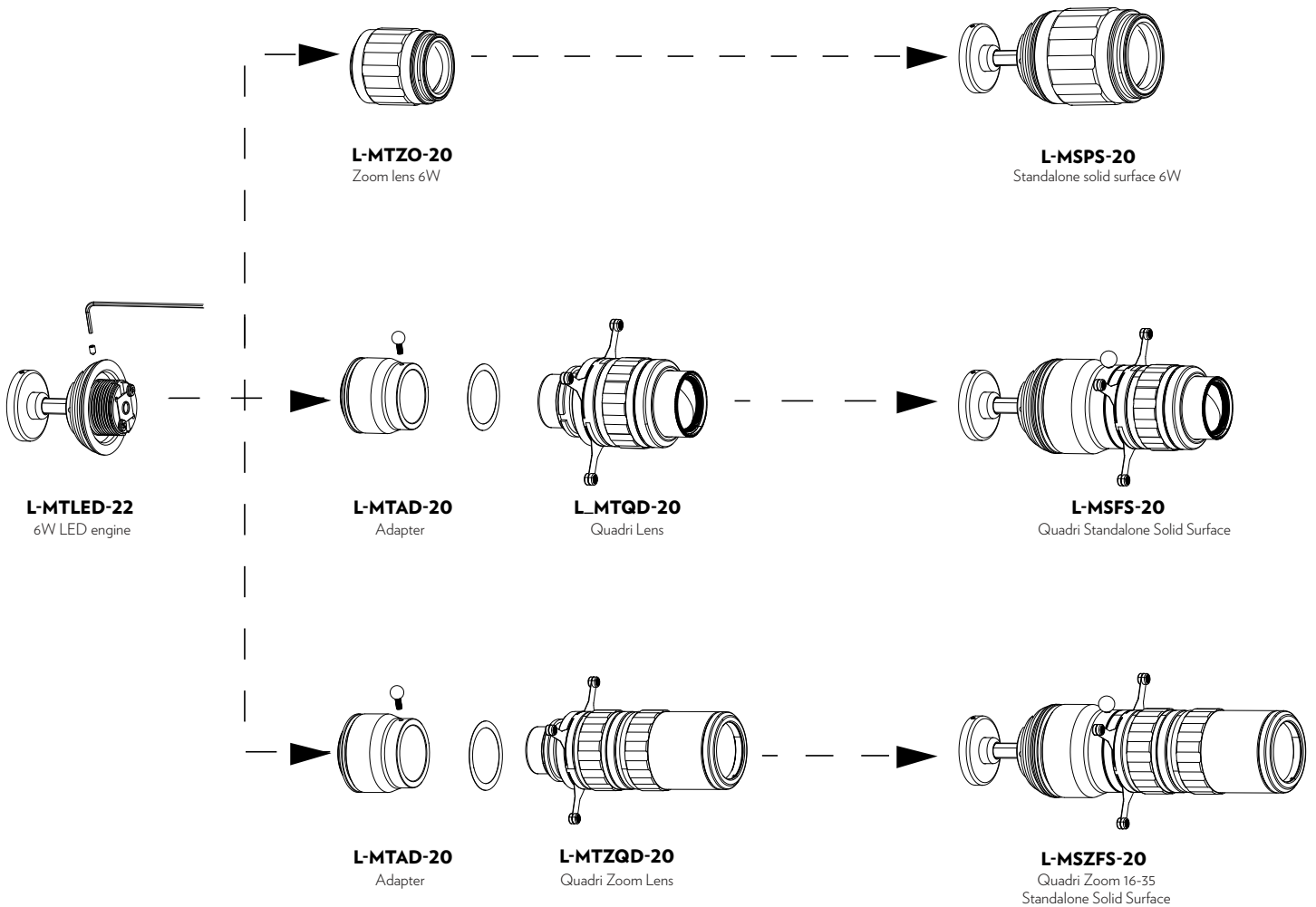
A gobo adds depth and texture to your setup. The L-MSFS-20 6W Quadri Standalone accepts 19.7mm outer diameter, 14.5mm inner diameter, 0.3mm-1mm thick glass or stainless steel gobos, including full color glass and plastic options.

LENS CODES: L-MTZQ-1536 and L-MTQD-55





6W Spotlights can transform into Zoom Spotlights, Quadri-Framing Shutter Spotlights, and Quadri Zoom Framing-Shutter Spotlights - with one body you can have either a spotlight or a framing shutter spotlight.



DRIVERS COMPATIBLE

Driver	Short Description	Nbr of Fixtures	Setting
SE-20-100-700-W1A	Constant Current driver with 0-10V control, 20W, 1 channel	1	165mA (9-42V)
OT 12W UNV 0A3 DUALDIM DIM-1 F	Constant Current driver with 0-10V control, 12W, 1 channel	1	165mA (26-42V)
DMX-25-150-900-U1P1	Constant Current driver with DMX control, 25W, 1 channel	1	150mA (10-54V)
L-CT-DMX/RDW-6W-6CH	Constant Current driver with manual/DMX control, 6W x 6 channels*	1 per channel	165mA (35.5V)

*To use with 6W L-MS...-20 spotlights only

VARIATIONS



Please check product cut sheets for details - driver indications vary per product.