

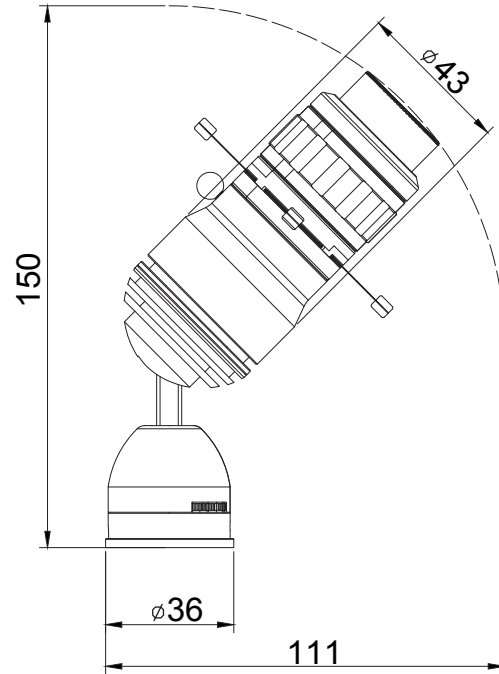
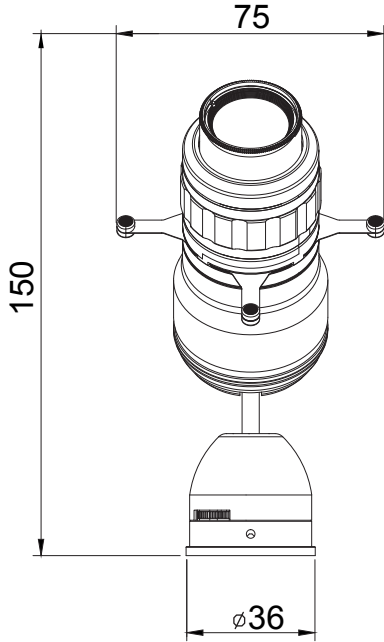


L-MFSA-22
6W QUADRI-STANDALONE

PRODUCT CUTSHEET



SCAN
FOR WEBSITE



FEATURES

- Fix 55° framing shutter lens
- Dimmable from 0-100% with onboard dimmer
- Magnetic base
- Easily interchangeable between 3 head options using the same base.
- Accessories including Filter frame, Gobo holder & more

No tools are needed for mounting and focusing the fixtures.*

* to lock the rotation axes and focus point 1.5mm and 0.9mm HEX drivers are required.

AVAILABLE ACCESSORIES



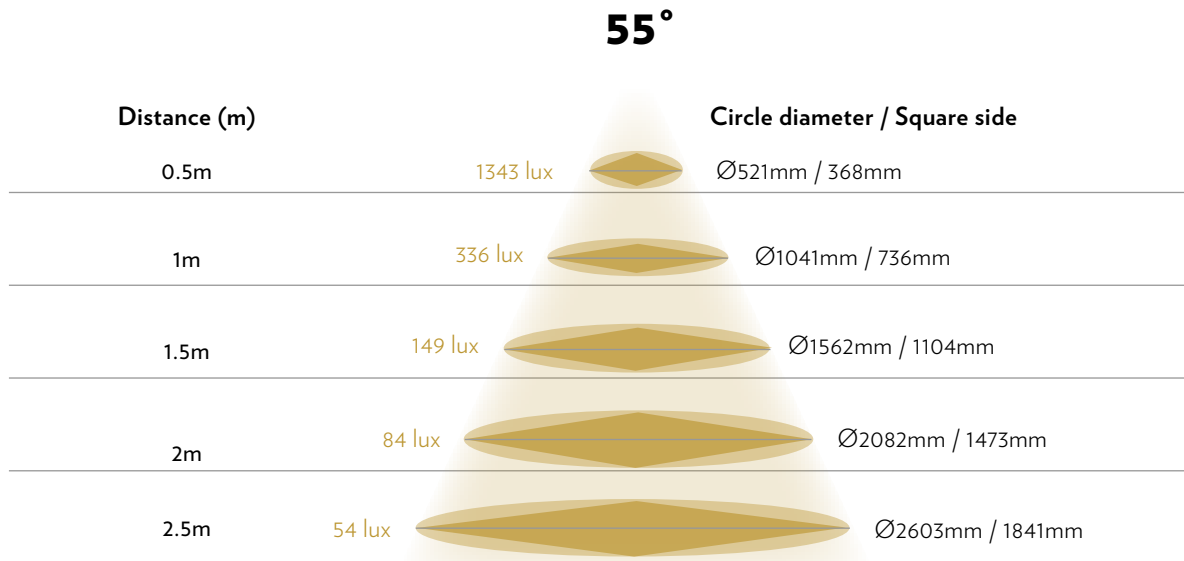
L-MTFHQ
FILTER HOLDER



TECHNICAL DATA

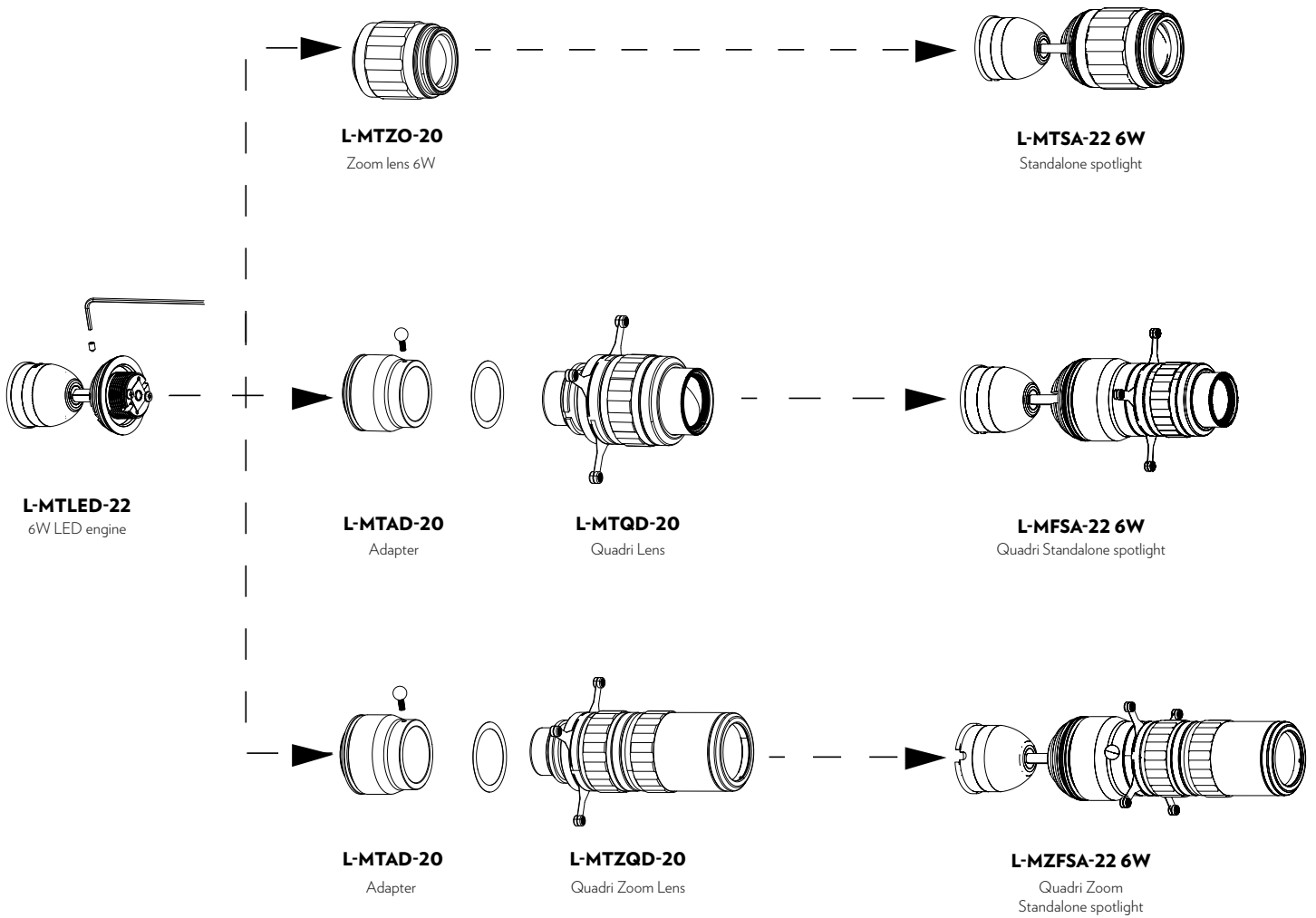
Voltage	11-24 VDC	Color Finishing	Black, White and Silver
LED Wattage	6W	Storage Temperature	recommended 22°C
Wattage Once Used	7.8W	Certificates / Standard	UL, CE
Input Current	700-330mA	Warranty	5 years
Beam Angles	55°	Drivers Compatible	Constant Voltage
Pan / Tilt	355° / 90°	Lifespan	50 000 hours
Luminous Efficiency of the LED	100lm/W @RA97 min	Lens	Glass
Color Temperatures	3000K, 4000K, 5000K	LED	SMD CERAMIC
Adapter	Luxam Micro Track	Class	III, Indoor use only
Dimmable Options	Surface mount	Rating	IP30
CRI	97 min	Dimensions	93*43*149 (mm)
Weight	337g	Indoor Use	not to mentioned
Main Material	Aluminum	Length Of Tail	145cm

PHOTOMETRICS





6W Spotlights can transform into Zoom Spotlights, Quadri-Framing Shutter Spotlights, and Quadri Zoom Framing-Shutter Spotlights - with one body you can have either a spotlight or a framing shutter spotlight.

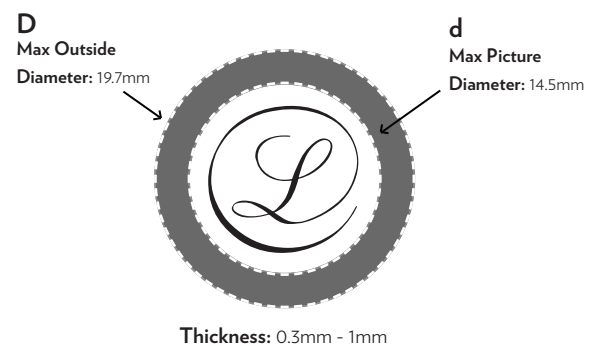


DRIVERS COMPATIBLE

Driver	Short Description	Nbr of Fixtures	Setting
LPV-100-12	Constant Voltage driver, 100W	1 - 10	12V
LPV-60-12	Constant Voltage driver, 60W	1 - 6	12V
LPV-35-12	Constant Voltage driver, 35W	1 - 3	12V
NPF-90-12	Constant Voltage driver, 90W	1 - 9	12V
NPF-40-12	Constant Voltage driver, 40W	1 - 4	12V

GOBO DETAILS

A gobo adds depth and texture to your setup. The L-MFSA-22 6W Quadri Standalone accepts 19.7mm outer diameter, 14.5mm inner diameter, 0.3mm-1mm thick glass or stainless steel gobos, including full color glass and plastic options.



LENS CODES: L-MTZQ-1536 and L-MTQD-55

VARIATIONS



Please check product cut sheets for details - driver indications vary per product.