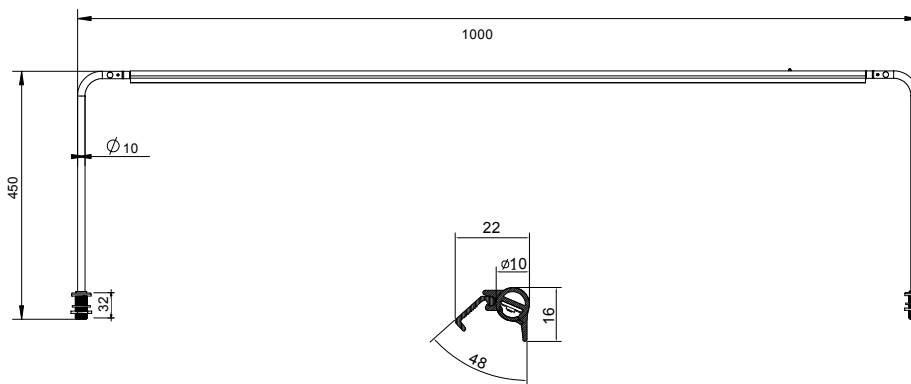
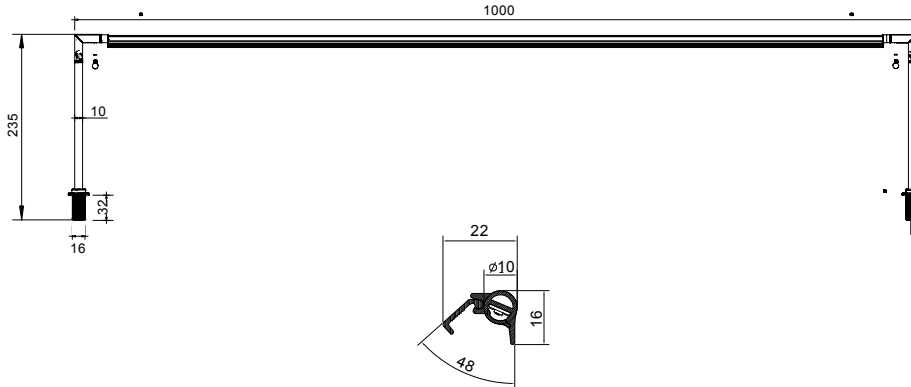


**SCAN**  
TO VIEW VIDEO



**SCAN**  
FOR WEBSITE

**L-MBA TALEA**  
**10MM CUTSHEET**  
PRODUCT CUTSHEET



## FEATURES

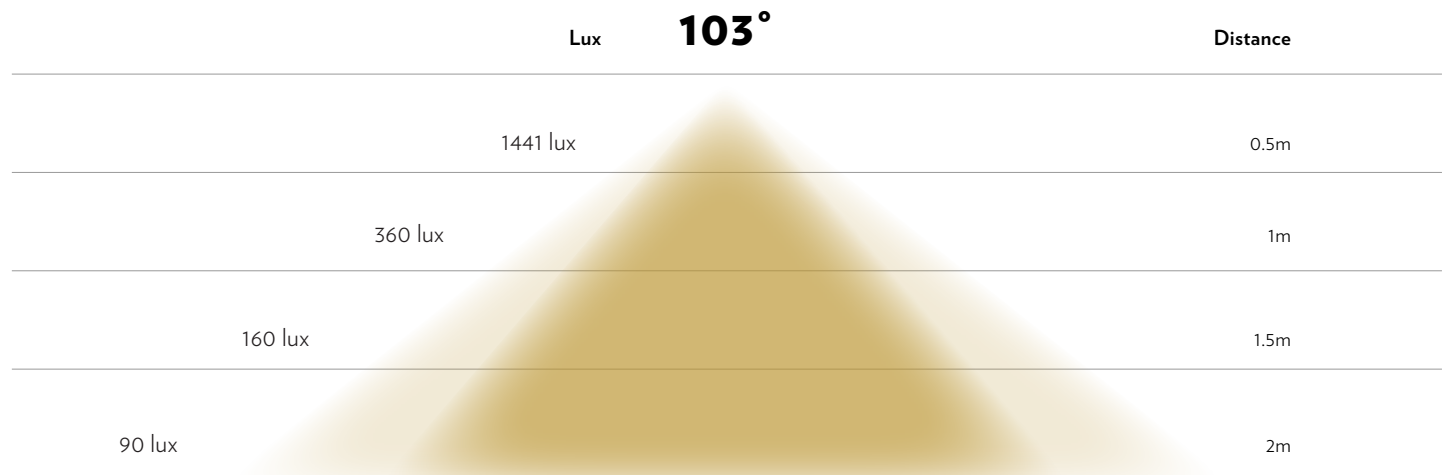
- 30-120° beamspread using adjustable bardoors
- Available in 1m, 1.5m, and 2m
- Adjustable height 5cm-2 meters
- 12V input with 15, 23 and 30W output
- To lock the rotation axes and focus point 1.5mm and 0.9mm HEX drivers are required.

**TECHNICAL DATA**

<b>Voltage</b>	12 VDC	<b>Color Finishing</b>	Black, White and Silver
<b>Led Wattage</b>	not to mentioned	<b>Storage Temperature</b>	recommended 22°C
<b>Wattage Once Used</b>	12W/meter	<b>Certificates / Standard</b>	UL, CE
<b>Input Current</b>	1000mA/meter	<b>Warranty</b>	5 years
<b>Beam Angles</b>	103°	<b>Drivers Compatible</b>	Constant Voltage
<b>Pan / Tilt</b>	0 / 360°	<b>Lifespan</b>	50 000 hours
<b>Luminous Efficiency of the LED</b>	120lm/W @Ra97	<b>Lens</b>	Glass
<b>Color Temperatures</b>	3000K, 4000K, 5000K	<b>LED</b>	SMD CERAMIC
<b>Adapter</b>	Surface mount	<b>Class</b>	III, Indoor use only
<b>Dimmable Options</b>	Dimmable with PWM driver	<b>Rating</b>	IP30
<b>CRI</b>	97 min	<b>Dimensions</b>	Not to mention
<b>Weight</b>	431g	<b>Lenght of Tail</b>	145cm
<b>Main Material</b>	Aluminum		

**PHOTOMETRICS**

**LMBA TALEA – 1000mm**





**DRIVERS COMPATIBLE**

**L-MBA - 1000mm**

Driver	Short Description	Nbr of Fixtures	Setting
LM-60-12-U1A2	Constant Voltage driver with 0-10V control, 60W	1 - 4	12V
LM-60-12-U1M2	Constant Voltage driver with DMX control, 60W	1 - 4	12V

To calculate the maximum length you can power, note that the L-MBA consumes 12W per meter. Simply divide your driver's capacity by 12 to determine the maximum supported length.

The number of fixtures per driver is calculated based on 80% capacity for safety reasons.

**VARIATIONS**



**L-MBA-01-R-B-100**

TALEA LEDBAR 10mm, 100cm, 12V / 15W, Black, Round Corners

**L-MBA-01-R-B-150**

TALEA LEDBAR 10mm, 150cm, 12V / 23W, Black, Round Corners

**L-MBA-01-R-B-200**

TALEA LEDBAR 10mm, 200cm, 12V / 30W, Black, Round Corners



**L-MBA-01-SQ-B-100**

TALEA LEDBAR 10mm, 100cm, 12V / 15W, Black, Square Corners

**L-MBA-01-SQ-B-150**

TALEA LEDBAR 10mm, 150cm, 12V / 23W, Black, Square Corners

**L-MBA-01-SQ-B-200**

TALEA LEDBAR 10mm, 200cm, 12V / 30W, Black, Square Corners