

Technical Data



L-MSPS-20

WATTAGE ONCE USED: 6W	STORAGE TEMPERATURE: recommended 22°C
INPUT CURRENT: 165mA	CERTIFICATES / STANDARD: UL, CE
BEAM ANGLES: Zoomable 8° to 55°	WARRANTY: 5 Years
PAN/TILT: 355° / 90 °	DRIVERS COMPATIBLE: Constant Current
LUMINOUS INTENSITY OF THE LED: 100lm/W @RA97 min	LIFESPAN: 50 000 hours
COLOR TEMPERATURES: 3000K, 4000K, 5000K	LENS: Glass
ADAPTER: Surface Mount	LED: SMD Ceramic
DIMMABLE OPTIONS: Dimmable with PWM driver	CLASS: III, Indoor use only
CRI: 97 min	RATING: IP30
WEIGHT: 172g	DIMENSIONS: 75*45*92 (mm)
MAIN MATERIAL: Aluminum	LENGTH OF TAIL: 145cm
COLOR FINISHING: Black, White and Silver	



L-MSFS-20

WATTAGE ONCE USED: 6W	STORAGE TEMPERATURE: recommended 22°C
INPUT CURRENT: 165mA	CERTIFICATES / STANDARD: UL, CE
BEAM ANGLES: 55°	WARRANTY: 5 Years
PAN/TILT: 355° / 90 °	DRIVERS COMPATIBLE: Constant Current
LUMINOUS INTENSITY OF THE LED: 100lm/W @RA97 min	LIFESPAN: 50 000 hours
COLOR TEMPERATURES: 3000K, 4000K, 5000K	LENS: Glass
ADAPTER: Surface Mount	LED: SMD Ceramic
DIMMABLE OPTIONS: Dimmable with PWM driver	CLASS: III, Indoor use only
CRI: 97 typ	RATING: IP30
WEIGHT: 271g	DIMENSIONS: 93*75*108 (mm)
MAIN MATERIAL: Aluminum	LENGTH OF TAIL: 145cm
COLOR FINISHING: Black, White and Silver	



L-MSZFS-20

WATTAGE ONCE USED: 6W	STORAGE TEMPERATURE: recommended 22°C
INPUT CURRENT: 165mA	CERTIFICATES / STANDARD: UL, CE
BEAM ANGLES: 15° - 36°	WARRANTY: 5 Years
PAN/TILT: 355° / 90 °	DRIVERS COMPATIBLE: Constant Current
LUMINOUS INTENSITY OF THE LED: 100lm/W @RA97 min	LIFESPAN: 50 000 hours
COLOR TEMPERATURES: 3000K, 4000K, 5000K	LENS: Glass
ADAPTER: Surface Mount	LED: SMD Ceramic
DIMMABLE OPTIONS: Dimmable with PWM driver	CLASS: III, Indoor use only
CRI: 97 min	RATING: IP30
WEIGHT: 351g	DIMENSIONS: 142*75*164 (mm)
MAIN MATERIAL: Aluminum	LENGTH OF TAIL: 145cm
COLOR FINISHING: Black, White and Silver	

Safety Instructions

IMPORTANT SAFETY INSTRUCTIONS

To ensure the safe installation and operation of the Luxam lighting system, follow these guidelines carefully. Failure to comply with these instructions may result in fire, electric shock, damage to the system, or voiding of the warranty.

General Safety Guidelines

1. Power Supply:
 - Disconnect the power supply before starting any installation or maintenance work. Ensure it cannot be reconnected inadvertently during the process.
 - Turn off electrical power before modifying the lighting system.
2. Installation Environment:
 - Do not install the system in wet locations.
 - Do not conceal or extend exposed conductors through a building wall.
3. Ventilation and Mounting:
 - Maintain proper ventilation around the luminaire. Do not place objects on top of it.
 - Keep a clearance of 10-15 cm between the luminaire and adjacent heat sources.
 - Use the standard mounting orientation. Non-standard orientations or high ambient temperatures may increase internal temperatures and require a reduction in output current. Refer to the specification sheet for the optimal mounting position and de-rating curve details.
4. Fire and Overheating Prevention:
 - Ensure all connections are tight to reduce the risk of fire, burns, or overheating.
 - Do not install the lighting system where exposed bare conductors can be shorted or come into contact with conductive materials.
 - Keep all luminaires at least 6 inches (152 mm) away from curtains or other combustible materials.

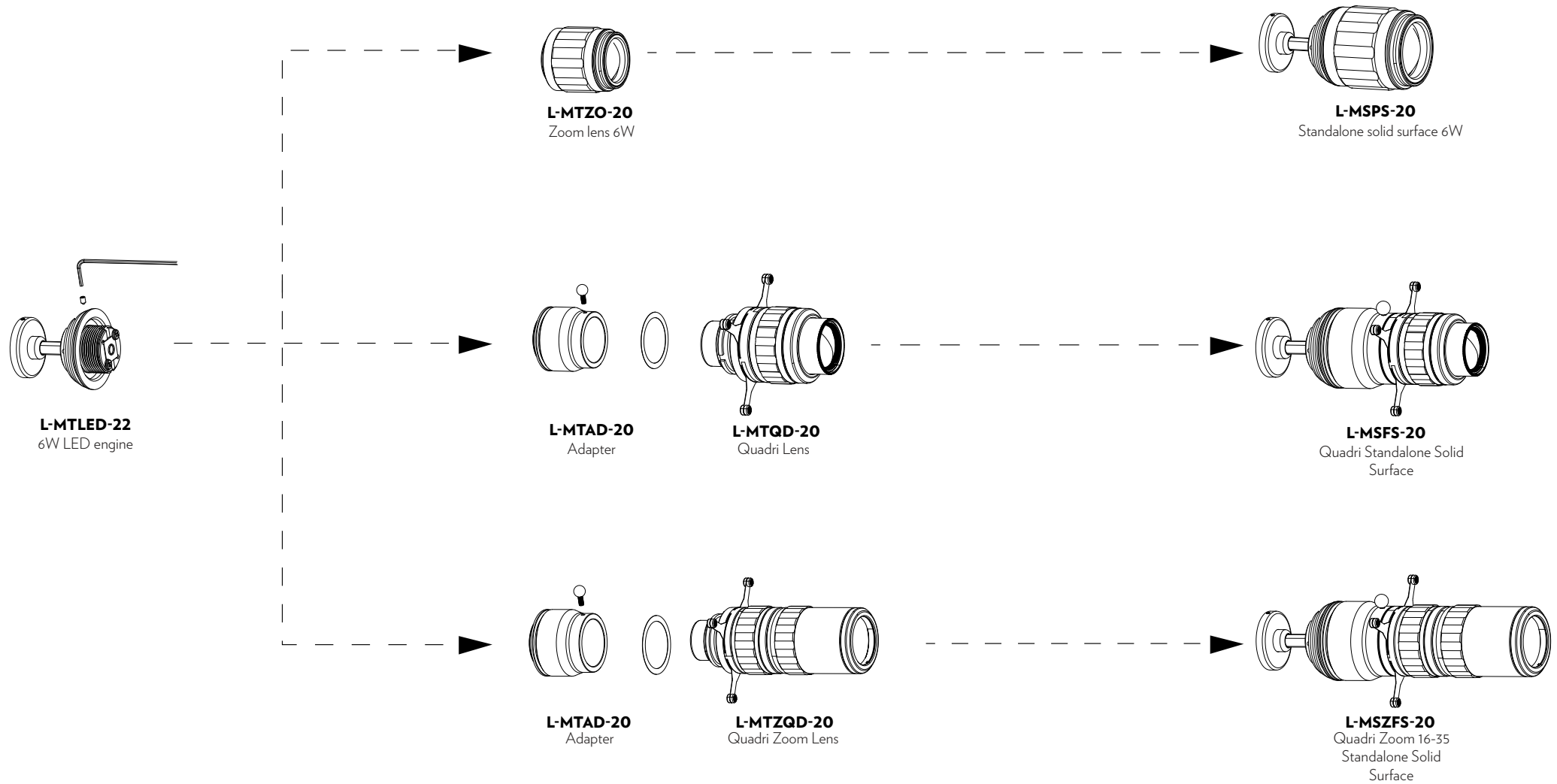
Fixtures-Specific Instructions

1. Manual Review: Thoroughly review the manual provided before installation. Failure to follow these instructions will void your warranty.
2. Warranty Conditions:
 - Do not attempt to repair or alter the system. This will void the warranty.
 - Always install the products in compliance with local, state, and national codes.
3. Showcase Installation: When installing in showcases, consider the internal temperature of the showcase rather than the ambient temperature. Ensure that minimum air volume, circulation, and conditioning requirements are met.

SAVE THESE INSTRUCTIONS

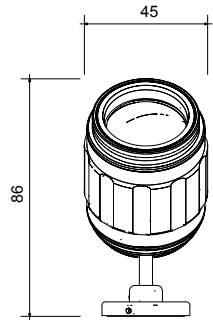
For more details about installation specifications, safe handling, or operation requirements, please refer to the manufacturer's documentation or contact the support team.

General Variations

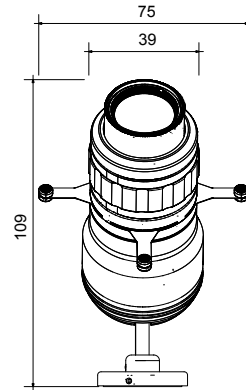


Product Dimensions

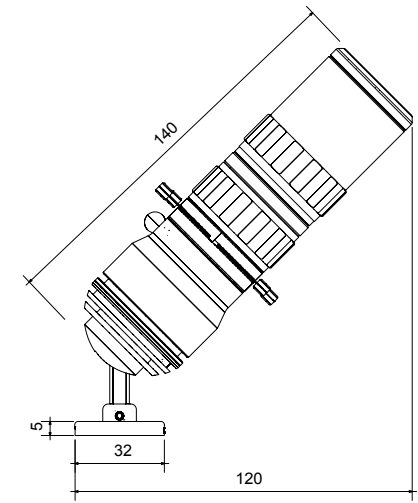
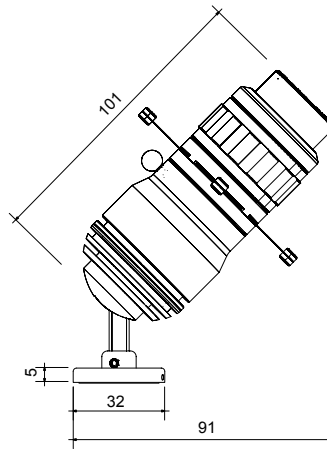
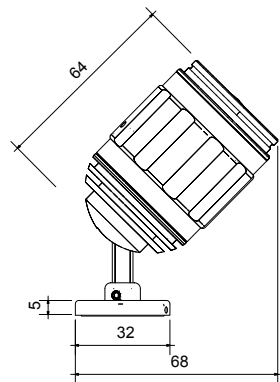
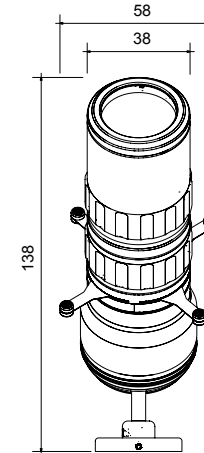
L-MSPS-20



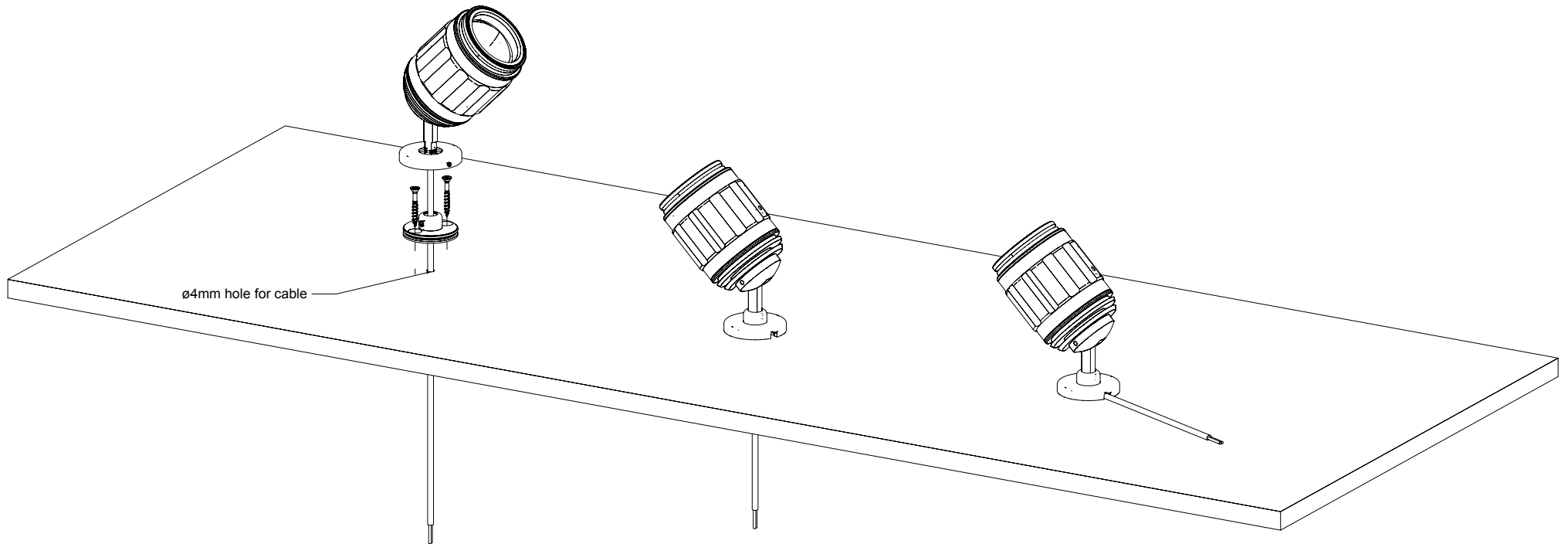
L-MSFS-20



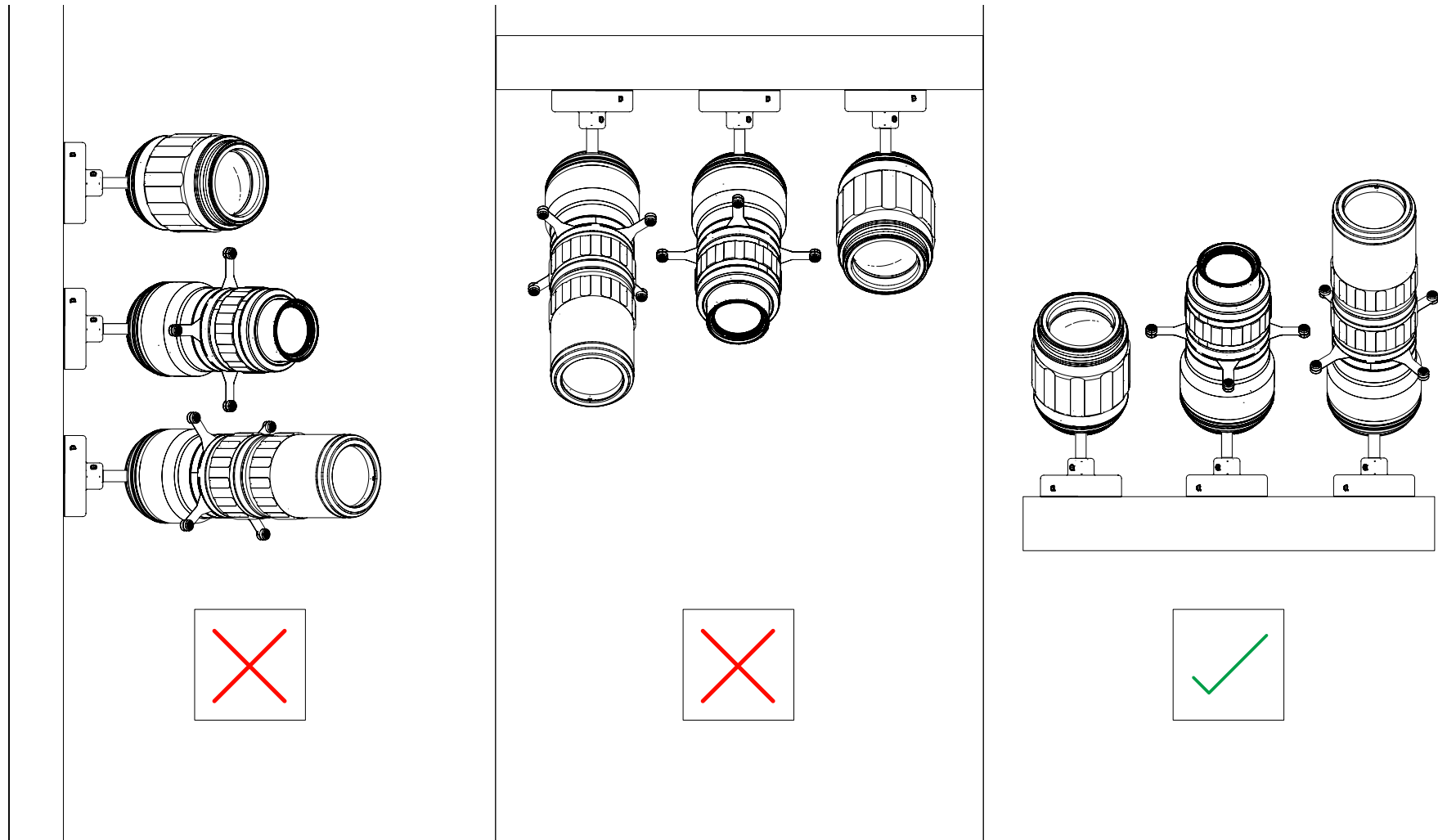
L-MSZFS-20



Installation



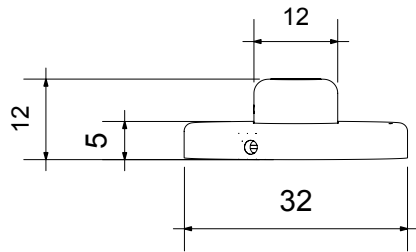
Magnet Base Installation



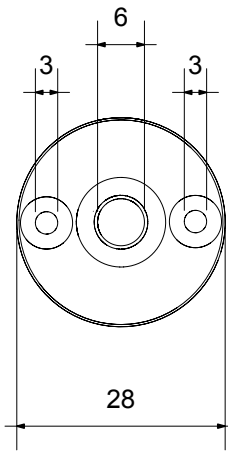
Magnet bases are designed for horizontal surfaces.

For side or suspended mounting of L-MSPS, L-MSFS, and L-MSZF5 fixtures, we recommend using a screw-in base instead.

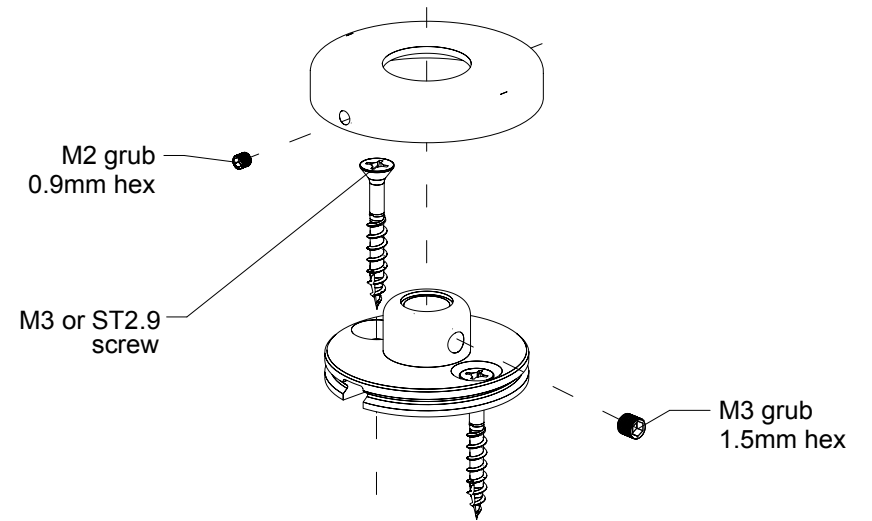
Mount Installation



1 Full mount with cover

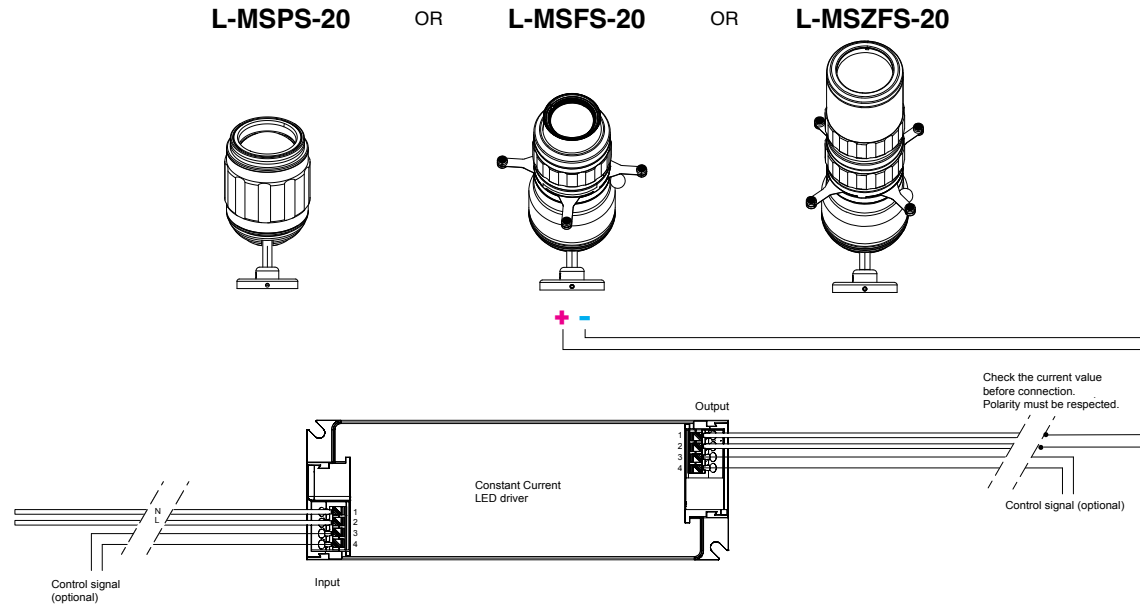


2 Mounting plate with holes



3 Assembly

Driver Wiring Schema



To ensure accurate calculations and detailed information, it is highly recommended to consult the dedicated drivers' cutsheets.

Driver	Short Description	Min-Max #of Fixtures	Setting
SE-12-100-500-W1A	Constant Current driver with 0-10V control, 12W, 1 channel	1 Fixture	170mA (9-42V)
SE-20-100-700-W1A	Constant Current driver with 0-10V control, 20W, 1 channel	1 Fixture	180mA (9-42V)
DMX-25-150-900-U1P1	Constant Current driver with DMX control, 25W, 1 channel	1 Fixture	180mA (10-54V)
L-CT-DMX/RDW-6W-6CH	Constant Current driver with DMX control, 6W x 6 channels*	1 Fixture/Channel	165mA (35.4V)

*To use with 6W L-MS...-20 spotlights only

IMPORTANT: Always use with UL power unit, with isolated output.