

Technical Data



L-MTSA-12

| | |
|-------------------------------------------------------------|-------------------------------------------------|
| VOLTAGE: 12VDC | COLOR FINISHING: Black, White and Silver |
| LED WATTAGE: 1W | STORAGE TEMPERATURE: recommended 22°C |
| WATTAGE ONCE USED: 1.2W | CERTIFICATES / STANDARD: UL, CE |
| INPUT CURRENT: 110mA | WARRANTY: 5 Years |
| BEAM ANGLES: Zoomable 9° to 70° | DRIVERS COMPATIBLE: Constant Voltage |
| PAN/TILT: 355° / 90° | LIFESPAN: 50 000 hours |
| LUMINOUS INTENSITY OF THE LED: 100lm/W @RA95 min | LENS: Glass |
| COLOR TEMPERATURES: 3000K, 4000K, 5000K | LED: SMD Ceramic |
| ADAPTER: Surface mount | CLASS: III, Indoor use only |
| DIMMABLE OPTIONS: On board Dimmer: PWM, range 0-100% | RATING: IP30 |
| CRI: 95 min | DIMENSIONS: 53*36*78 (mm) |
| WEIGHT: 96g | LENGTH OF TAIL: 145cm |
| MAIN MATERIAL: Aluminum | |



L-MTSA-02

| | |
|-------------------------------------------------------------|-------------------------------------------------|
| VOLTAGE: 12VDC | COLOR FINISHING: Black, White and Silver |
| LED WATTAGE: 3W | STORAGE TEMPERATURE: recommended 22°C |
| WATTAGE ONCE USED: 3.8W | CERTIFICATES / STANDARD: UL, CE |
| INPUT CURRENT: 340mA | WARRANTY: 5 Years |
| BEAM ANGLES: Zoomable 8° to 56° | DRIVERS COMPATIBLE: Constant Voltage |
| PAN/TILT: 355° / 90° | LIFESPAN: 50 000 hours |
| LUMINOUS INTENSITY OF THE LED: 100lm/W @RA95 min | LENS: Glass |
| COLOR TEMPERATURES: 3000K, 4000K, 5000K | LED: SMD Ceramic |
| ADAPTER: Surface mount | CLASS: III, Indoor use only |
| DIMMABLE OPTIONS: On board Dimmer: PWM, range 0-100% | RATING: IP30 |
| CRI: 95 min | DIMENSIONS: 58*36*89 (mm) |
| WEIGHT: 150g | LENGTH OF TAIL: 145cm |
| MAIN MATERIAL: Aluminum | |



L-MTSA-22

| | |
|-------------------------------------------------------------|-------------------------------------------------|
| VOLTAGE: 11-24VDC | COLOR FINISHING: Black, White and Silver |
| LED WATTAGE: 6W | STORAGE TEMPERATURE: recommended 22°C |
| WATTAGE ONCE USED: 7.8W | CERTIFICATES / STANDARD: UL, CE |
| INPUT CURRENT: 700-330mA | WARRANTY: 5 Years |
| BEAM ANGLES: Zoomable 8° to 55° | DRIVERS COMPATIBLE: Constant Voltage |
| PAN/TILT: 355° / 90° | LIFESPAN: 50 000 hours |
| LUMINOUS INTENSITY OF THE LED: 100lm/W @RA95 min | LENS: Glass |
| COLOR TEMPERATURES: 3000K, 4000K, 5000K | LED: SMD Ceramic |
| ADAPTER: Surface mount | CLASS: III, Indoor use only |
| DIMMABLE OPTIONS: On board Dimmer: PWM, range 0-100% | RATING: IP30 |
| CRI: 97 min | DIMENSIONS: 76*43*115 (mm) |
| WEIGHT: 218g | LENGTH OF TAIL: 145cm |
| MAIN MATERIAL: Aluminum | |

Safety Instructions

IMPORTANT SAFETY INSTRUCTIONS

To ensure the safe installation and operation of the Luxam lighting system, follow these guidelines carefully. Failure to comply with these instructions may result in fire, electric shock, damage to the system, or voiding of the warranty.

General Safety Guidelines

1. Power Supply:
 - Disconnect the power supply before starting any installation or maintenance work. Ensure it cannot be reconnected inadvertently during the process.
 - Turn off electrical power before modifying the lighting system.
2. Installation Environment:
 - Do not install the system in wet locations.
 - Do not conceal or extend exposed conductors through a building wall.
3. Ventilation and Mounting:
 - Maintain proper ventilation around the luminaire. Do not place objects on top of it.
 - Keep a clearance of 10-15 cm between the luminaire and adjacent heat sources.
 - Use the standard mounting orientation. Non-standard orientations or high ambient temperatures may increase internal temperatures and require a reduction in output current. Refer to the specification sheet for the optimal mounting position and de-rating curve details.
4. Fire and Overheating Prevention:
 - Ensure all connections are tight to reduce the risk of fire, burns, or overheating.
 - Do not install the lighting system where exposed bare conductors can be shorted or come into contact with conductive materials.
 - Keep all luminaires at least 6 inches (152 mm) away from curtains or other combustible materials.

Fixtures-Specific Instructions

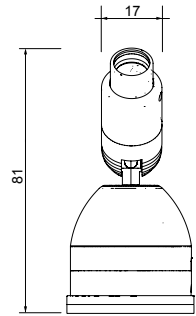
1. Manual Review: Thoroughly review the manual provided before installation. Failure to follow these instructions will void your warranty.
2. Warranty Conditions:
 - Do not attempt to repair or alter the system. This will void the warranty.
 - Always install the products in compliance with local, state, and national codes.
3. Showcase Installation: When installing in showcases, consider the internal temperature of the showcase rather than the ambient temperature. Ensure that minimum air volume, circulation, and conditioning requirements are met.

SAVE THESE INSTRUCTIONS

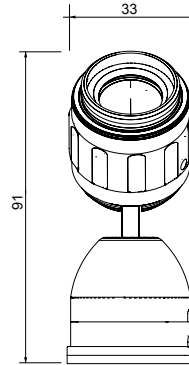
For more details about installation specifications, safe handling, or operation requirements, please refer to the manufacturer's documentation or contact the support team.

Product Dimensions

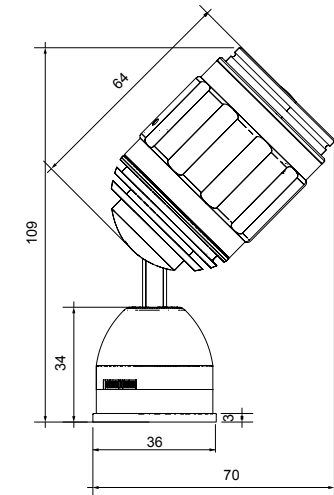
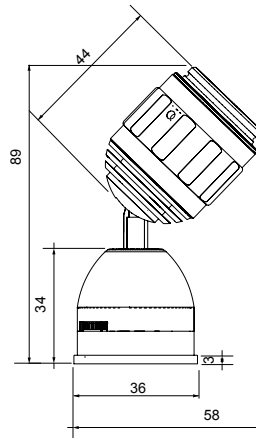
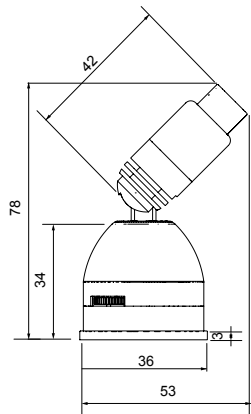
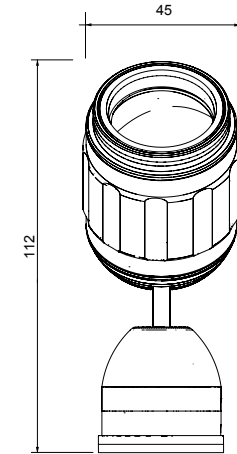
L-MTSA-12



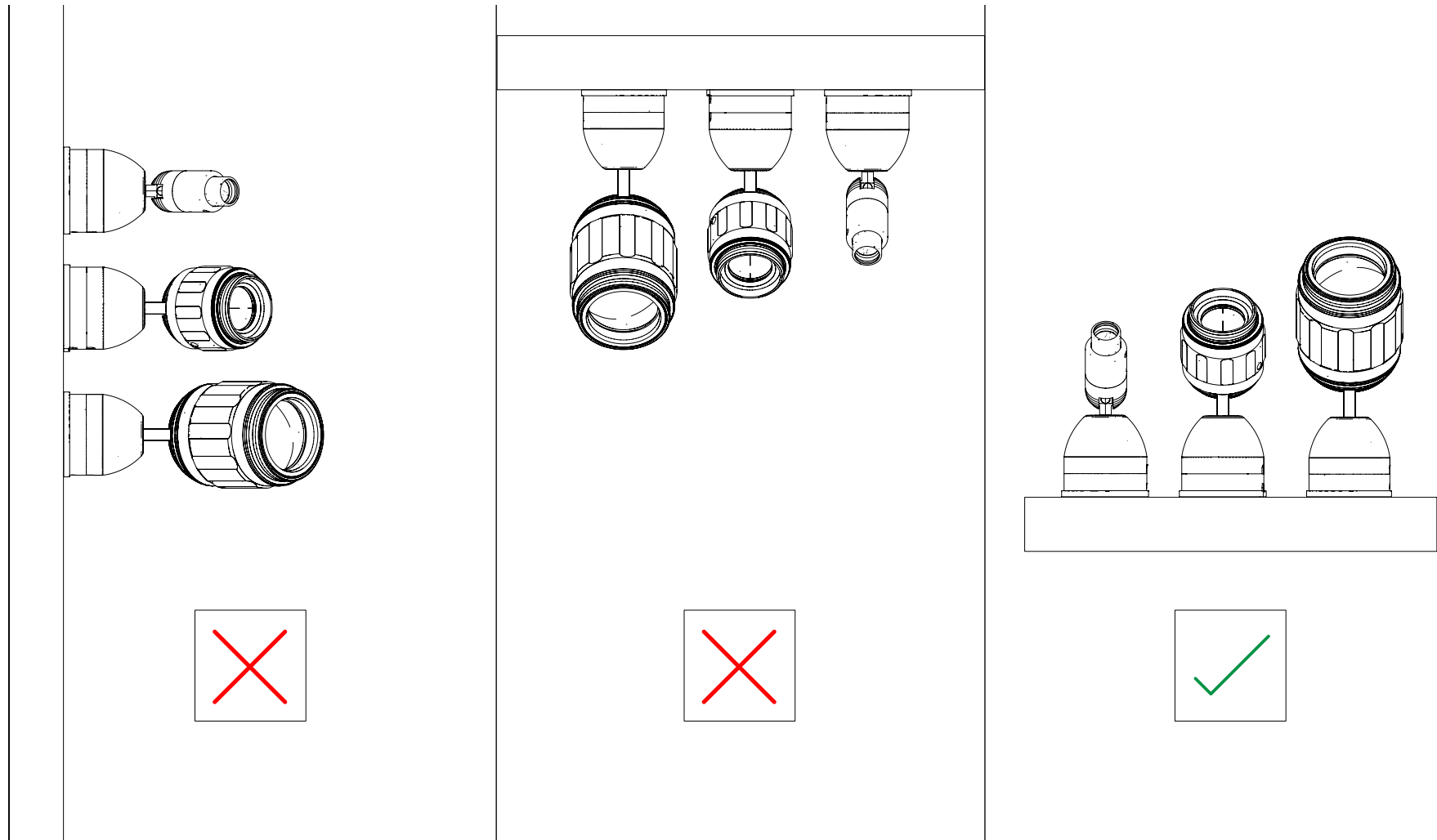
L-MTSA-02



L-MTSA-22

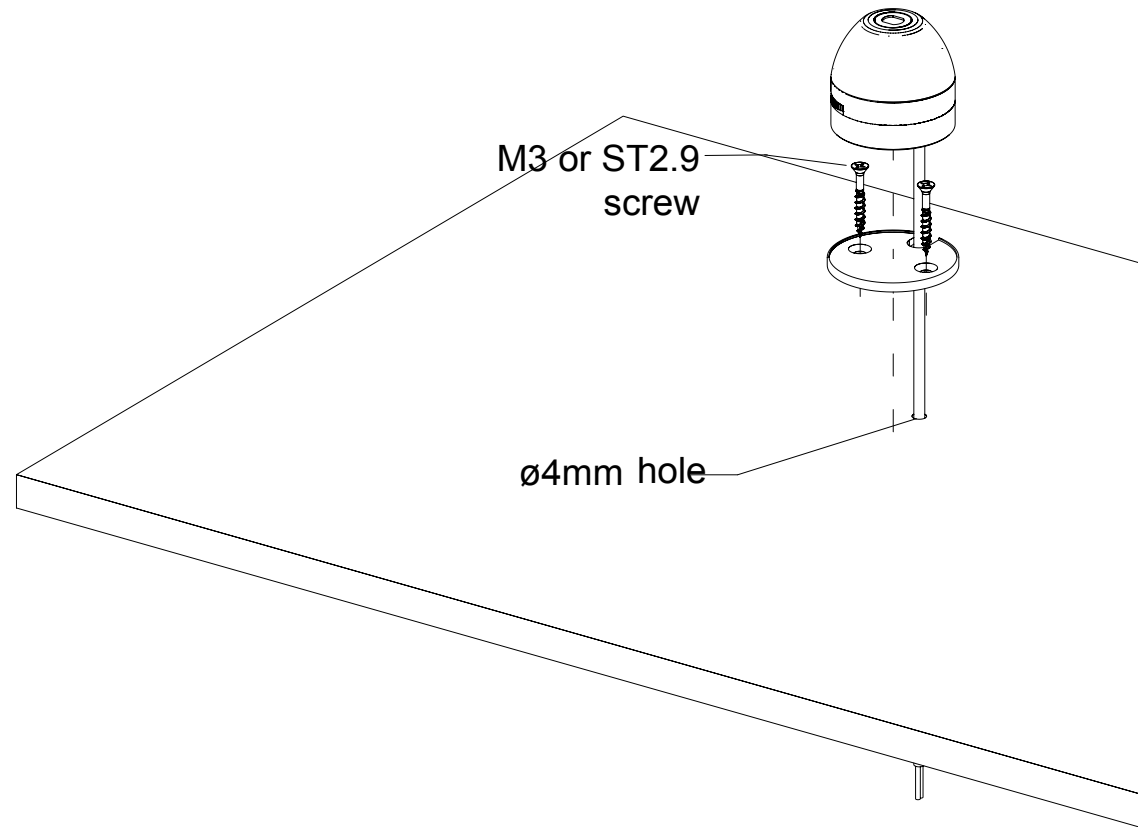
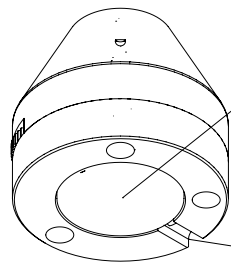
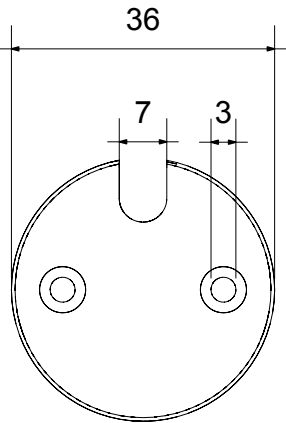
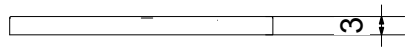


Magnet Base Installation



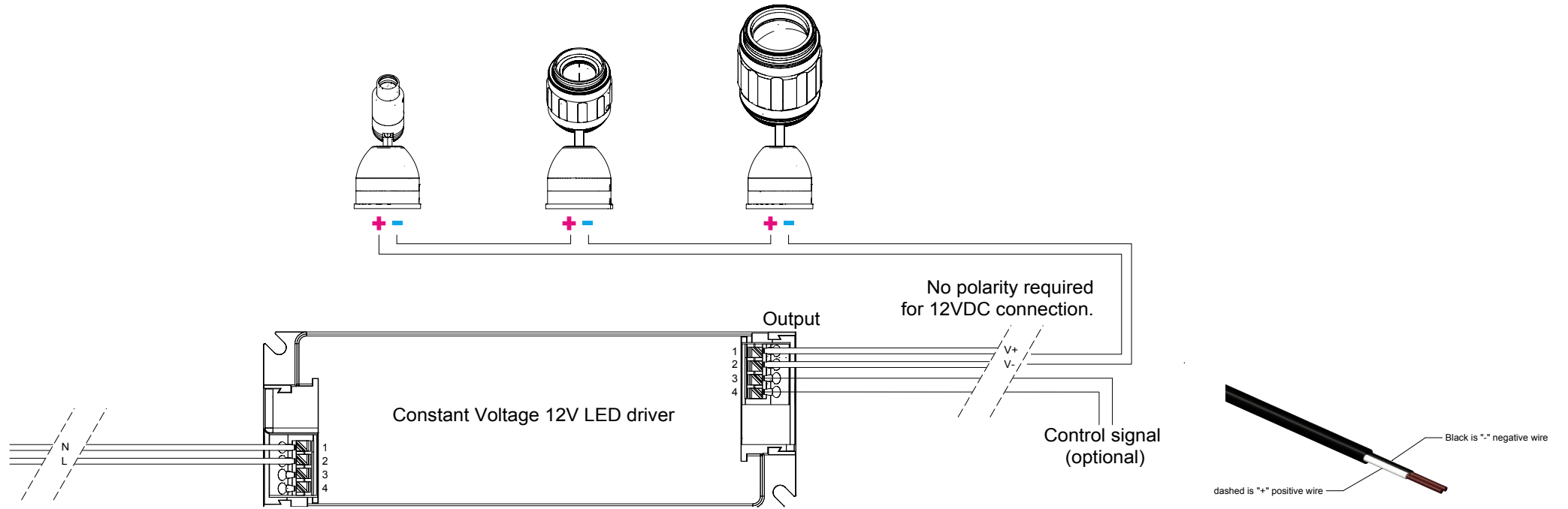
Magnet bases are designed for horizontal surfaces.
For side or suspended mounting of L-MTSA onboard dimming fixtures, we recommend using a screw-in base instead.

Base Installation



Driver Wiring Schema

L-MTSA-12 OR L-MTSA-02 OR L-MTSA-22

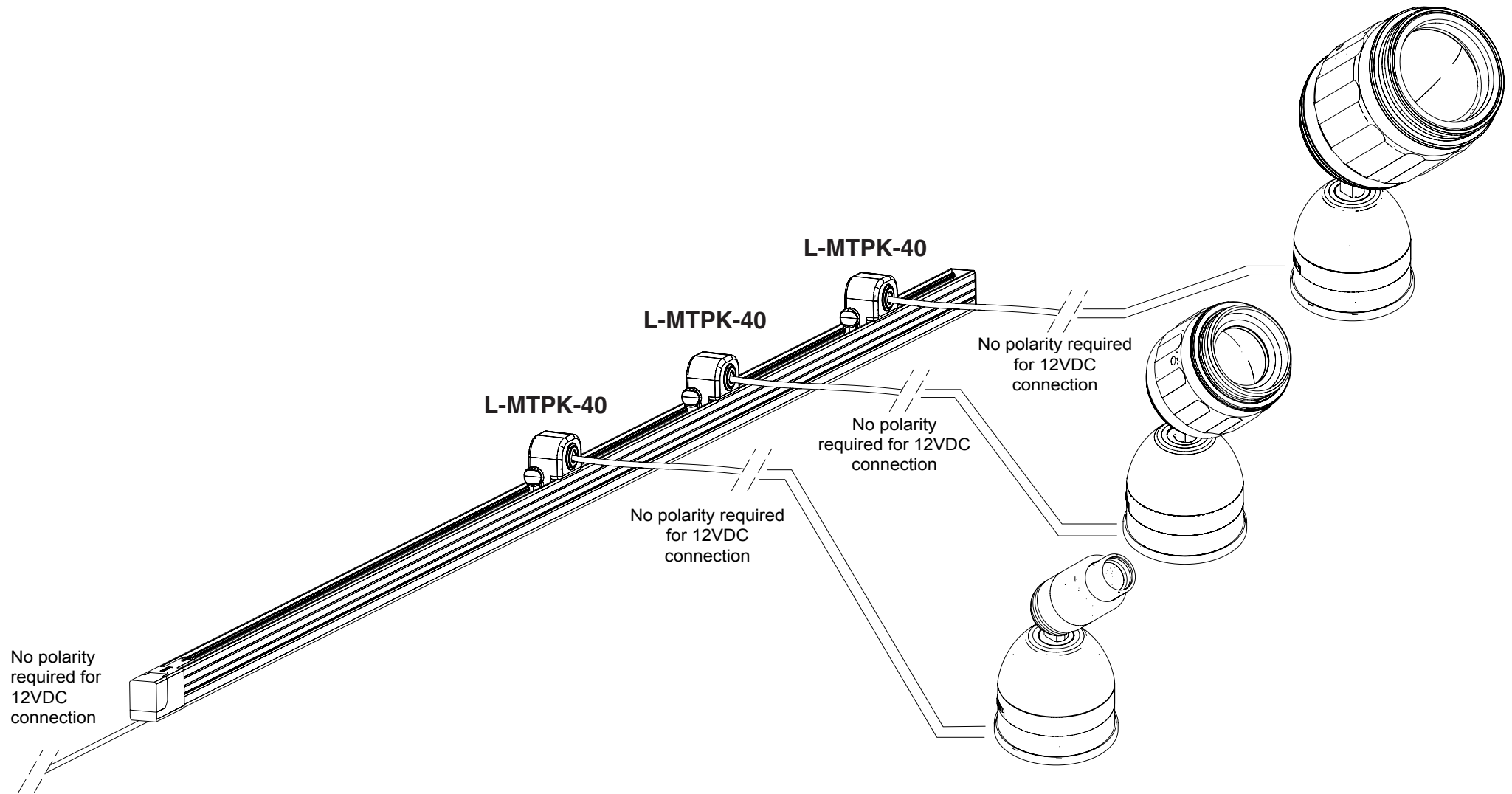


To ensure accurate calculations and detailed information, it is highly recommended to consult the dedicated drivers' cutsheets.

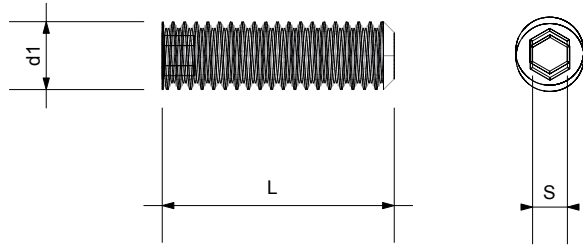
| Driver | Short Description | Nbr of Fixtures | Setting |
|------------|-------------------------------|-----------------|---------|
| LPV-100-12 | Constant Voltage driver, 100W | 1 - 10 | 12V |
| LPV-60-12 | Constant Voltage driver, 60W | 1 - 6 | 12V |
| LPV-35-12 | Constant Voltage driver, 35W | 1 - 3 | 12V |
| NPF-90-12 | Constant Voltage driver, 90W | 1 - 9 | 12V |
| NPF-40-12 | Constant Voltage driver, 40W | 1 - 4 | 12V |

IMPORTANT: Always use with UL power unit, with isolated output, 12VDC, 10A maximum.

Microtrack with L-MTPK-40 pickup connector assembly



Detailed Screws



| | | | | |
|------------------|-----|------|-----|-----|
| d1 (thread type) | M2 | M2.5 | M3 | M4 |
| s (HEX size) | 0.9 | 1.3 | 1.5 | 2.0 |
| L | 2mm | 3mm | 3mm | 4mm |

| | |
|-----------------------|---------------|
| DIN | 913 |
| ISO | 4026 |
| Description | Headless grub |
| Drive type | HEX socket |
| System of Measurement | Metric |

