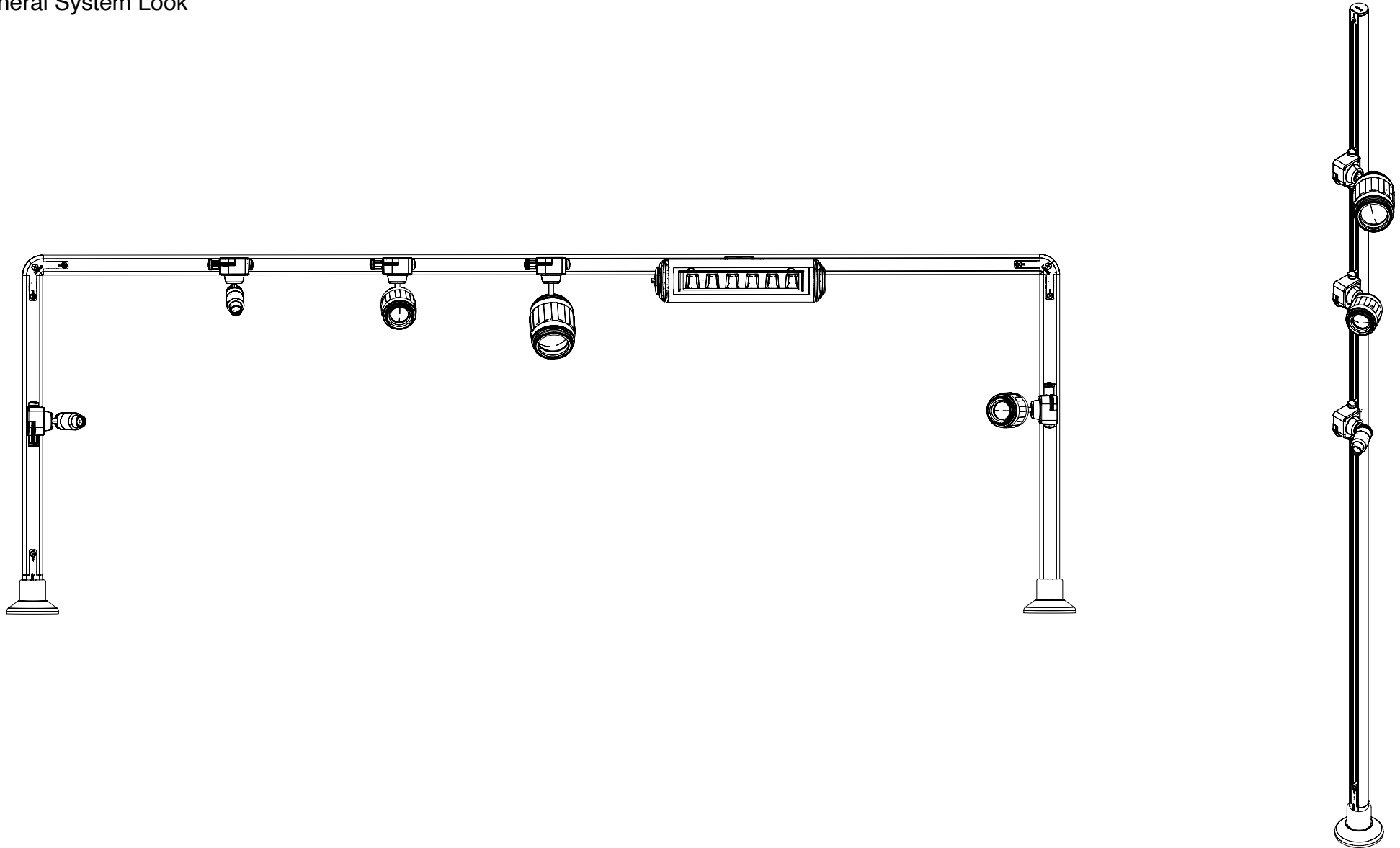


## General System Look



## Safety Instructions

### IMPORTANT SAFETY INSTRUCTIONS

To ensure the safe installation and operation of the Luxam lighting system, follow these guidelines carefully. Failure to comply with these instructions may result in fire, electric shock, damage to the system, or voiding of the warranty.

#### General Safety Guidelines

1. Power Supply:
  - Disconnect the power supply before starting any installation or maintenance work. Ensure it cannot be reconnected inadvertently during the process.
  - Turn off electrical power before modifying the lighting system.
2. Installation Environment:
  - Do not install the system in wet locations.
  - Do not conceal or extend exposed conductors through a building wall.
3. Ventilation and Mounting:
  - Maintain proper ventilation around the luminaire. Do not place objects on top of it.
  - Keep a clearance of 10-15 cm between the luminaire and adjacent heat sources.
  - Use the standard mounting orientation. Non-standard orientations or high ambient temperatures may increase internal temperatures and require a reduction in output current. Refer to the specification sheet for the optimal mounting position and de-rating curve details.
4. Fire and Overheating Prevention:
  - Ensure all connections are tight to reduce the risk of fire, burns, or overheating.
  - Do not install the lighting system where exposed bare conductors can be shorted or come into contact with conductive materials.
  - Keep all luminaires at least 6 inches (152 mm) away from curtains or other combustible materials.

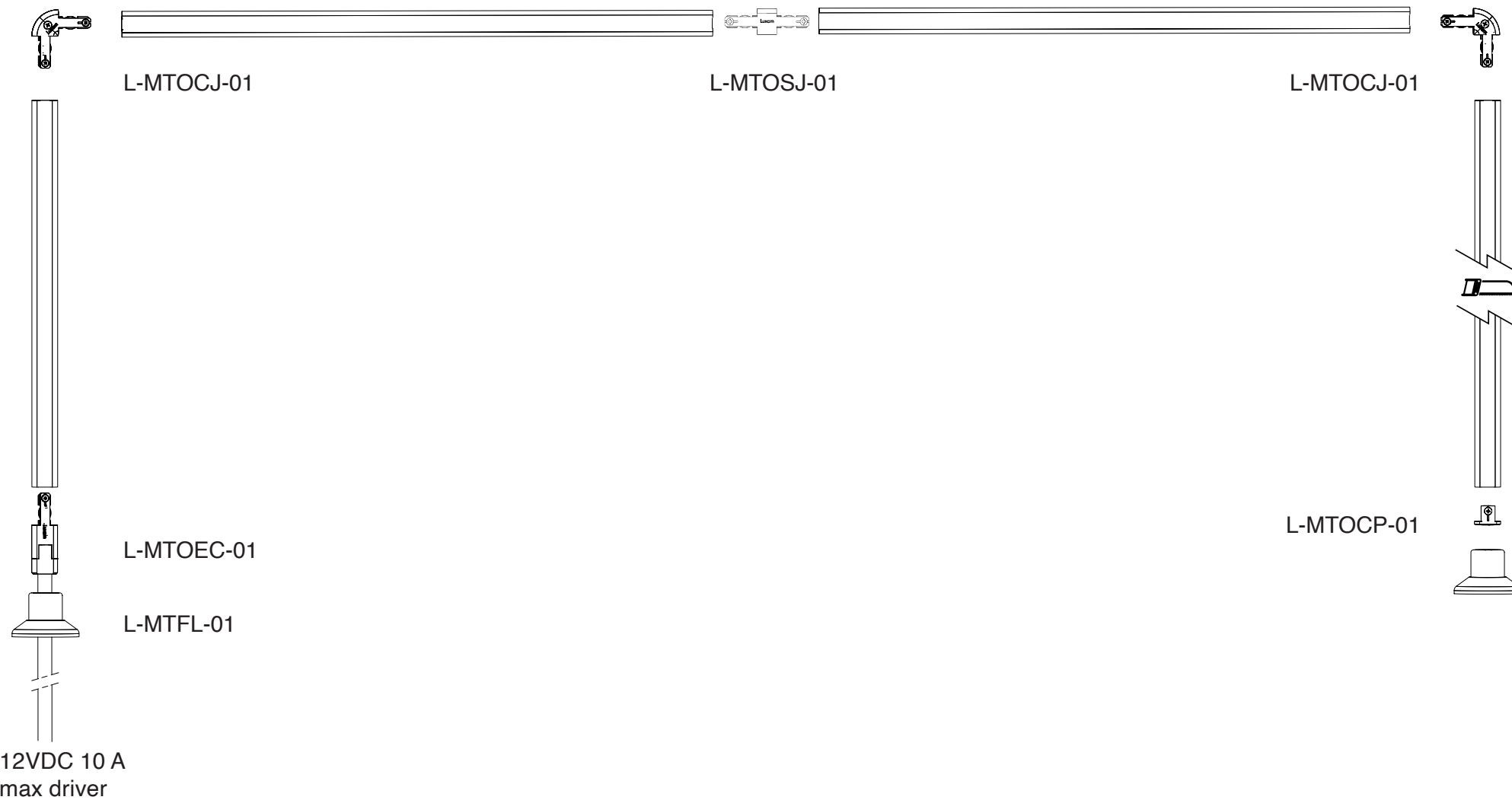
#### Fixtures-Specific Instructions

1. Manual Review: Thoroughly review the manual provided before installation. Failure to follow these instructions will void your warranty.
2. Warranty Conditions:
  - Do not attempt to repair or alter the system. This will void the warranty.
  - Always install the products in compliance with local, state, and national codes.
3. Showcase Installation: When installing in showcases, consider the internal temperature of the showcase rather than the ambient temperature. Ensure that minimum air volume, circulation, and conditioning requirements are met.

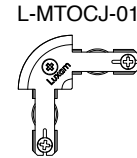
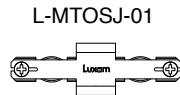
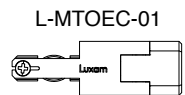
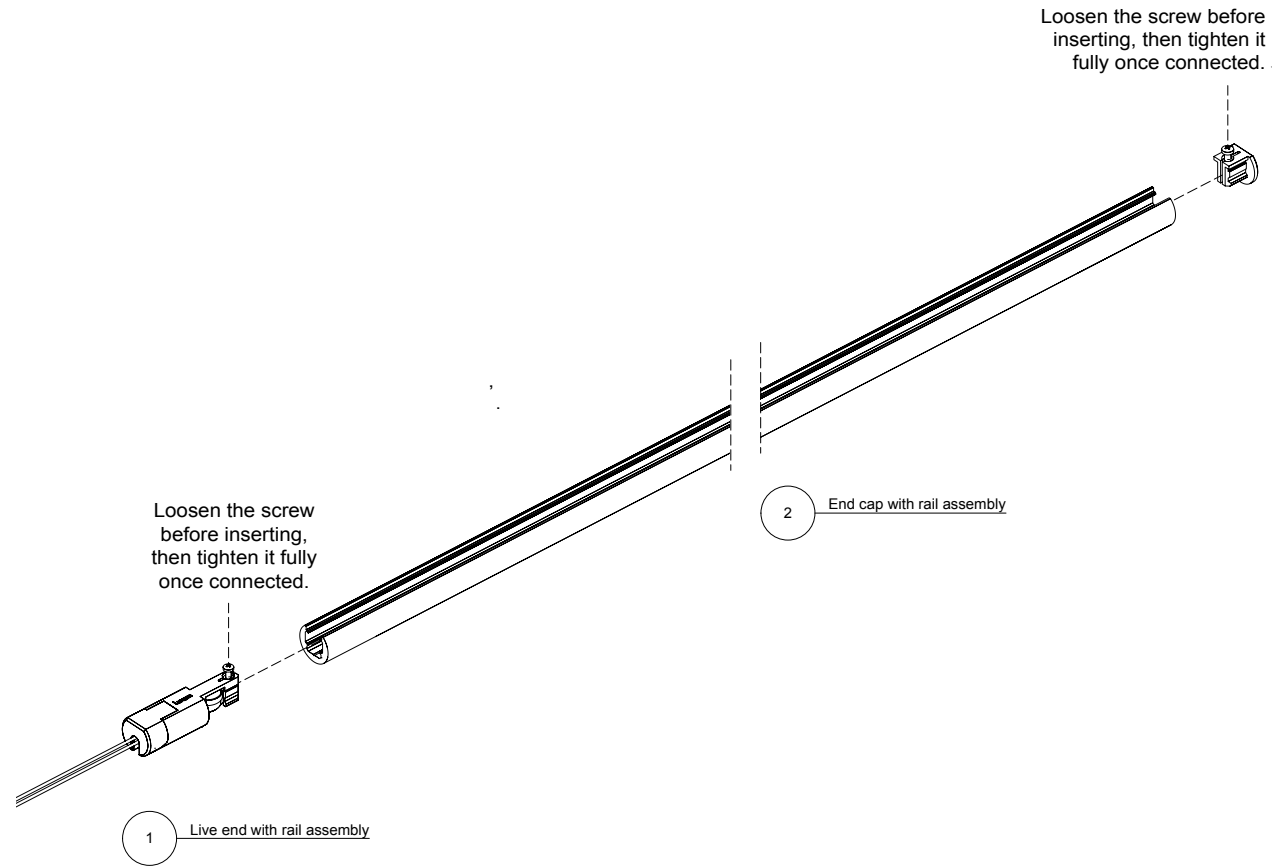
#### SAVE THESE INSTRUCTIONS

For more details about installation specifications, safe handling, or operation requirements, please refer to the manufacturer's documentation or contact the support team.

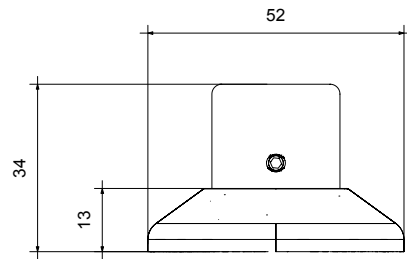
# System Assembly and Main Elements



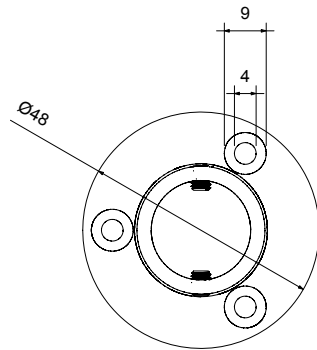
# Detailed track with connector's assembly



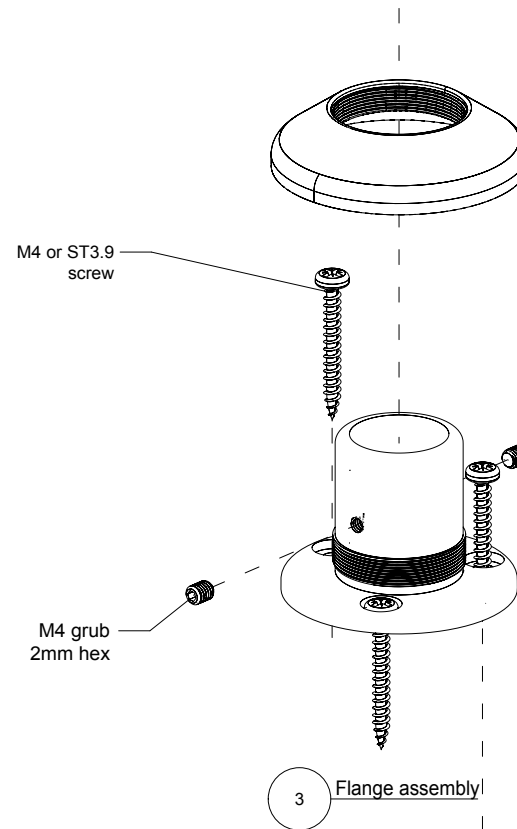
# L-MTFL-01 Flange drawings and assembly



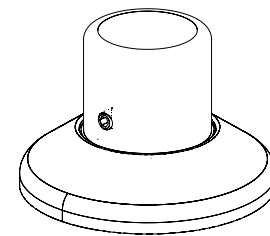
1 Front view



2 Top view (no cover)

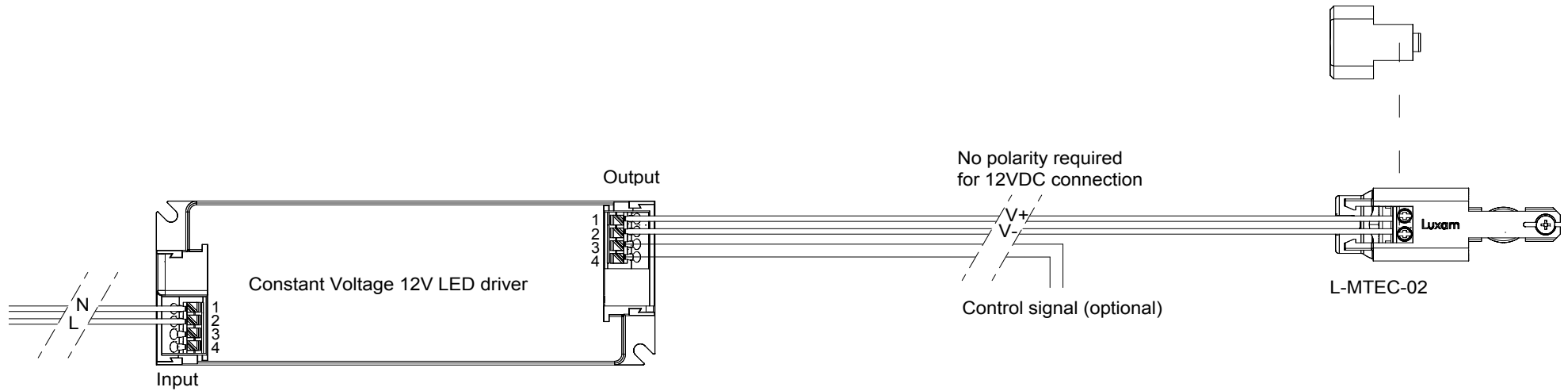


3 Flange assembly



4 General view

## Driver Wiring Schema



Driver	Short Description	Type
LPV-100-12	100W 12VDC Driver	Constant Voltage
LPV-60-12	60W 12VDC Driver	Constant Voltage
LPV-35-12	35W 12VDC Driver	Constant Voltage
NPF-90-12	90W 12VDC Driver	Constant Voltage
NPF-40-12	40W 12VDC Driver	Constant Voltage

**IMPORTANT:** Always use with UL power unit, with isolated output, 12VDC, 10A maximum.