

# INSTRUCTION MANUAL

## L-MTSP-22 / L-MTFS-22 /L-MTZFS-22 Micro spots 6W



**L-MTSP-22**

- Voltage/wattage: 11– 24VDC / 6W
- Beam angle: zoomable 8° to 55°
- Input current: 650mA – 330mA (7.2W–7.9W)
- No polarity required
- Dimmer
- CRI $\geq$ 95 (CREE LED), CRI $\geq$ 98 (BRIDGELUX LED)
- CCT: 3000K, 4000K, 5000K
- Head pan 350°/ tilt 90°
- Indoor use, IP30
- Material: Alum. Alloy / PC



**L-MTFS-22**

- Voltage/wattage: 11– 24VDC / 6W
- Beam angle: 55°
- Input current: 650mA – 330mA (7.2W–7.9W)
- No polarity required
- Dimmer
- CRI $\geq$ 95 (CREE LED), CRI $\geq$ 98 (BRIDGELUX LED)
- CCT: 3000K, 4000K, 5000K
- Head pan 350°/tilt 90°
- Indoor use, IP30
- Material: Alum. Alloy / PC



**L-MTZFS-22**

- Voltage/wattage: 11– 24VDC / 6W
- Beam angle: 18°-37°
- Input current: 650mA – 330mA (7.2W–7.9W)
- No polarity required
- Dimmer
- CRI $\geq$ 95 (CREE LED), CRI $\geq$ 98 (BRIDGELUX LED)
- CCT: 3000K, 4000K, 5000K
- Head pan 350°/tilt 90°
- Indoor use, IP30
- Material: Alum. Alloy / PC

**IMPORTANT :** Always use with Luxam microtrack L-MTHTK or L-MTOTK and UL power unit 12-24 VDC maximum, with isolated output.

### IMPORTANT SAFETY INSTRUCTIONS

When installing or using this track system, basic safety precautions should always be followed, including the following:

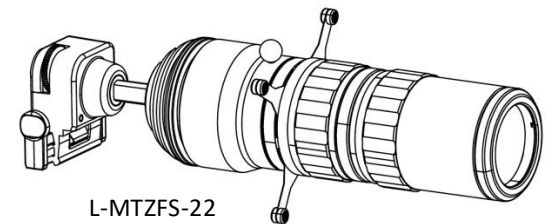
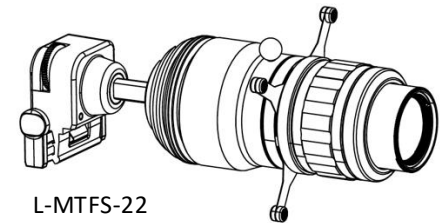
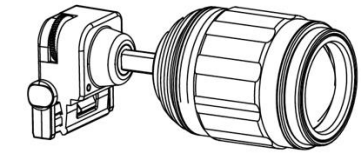
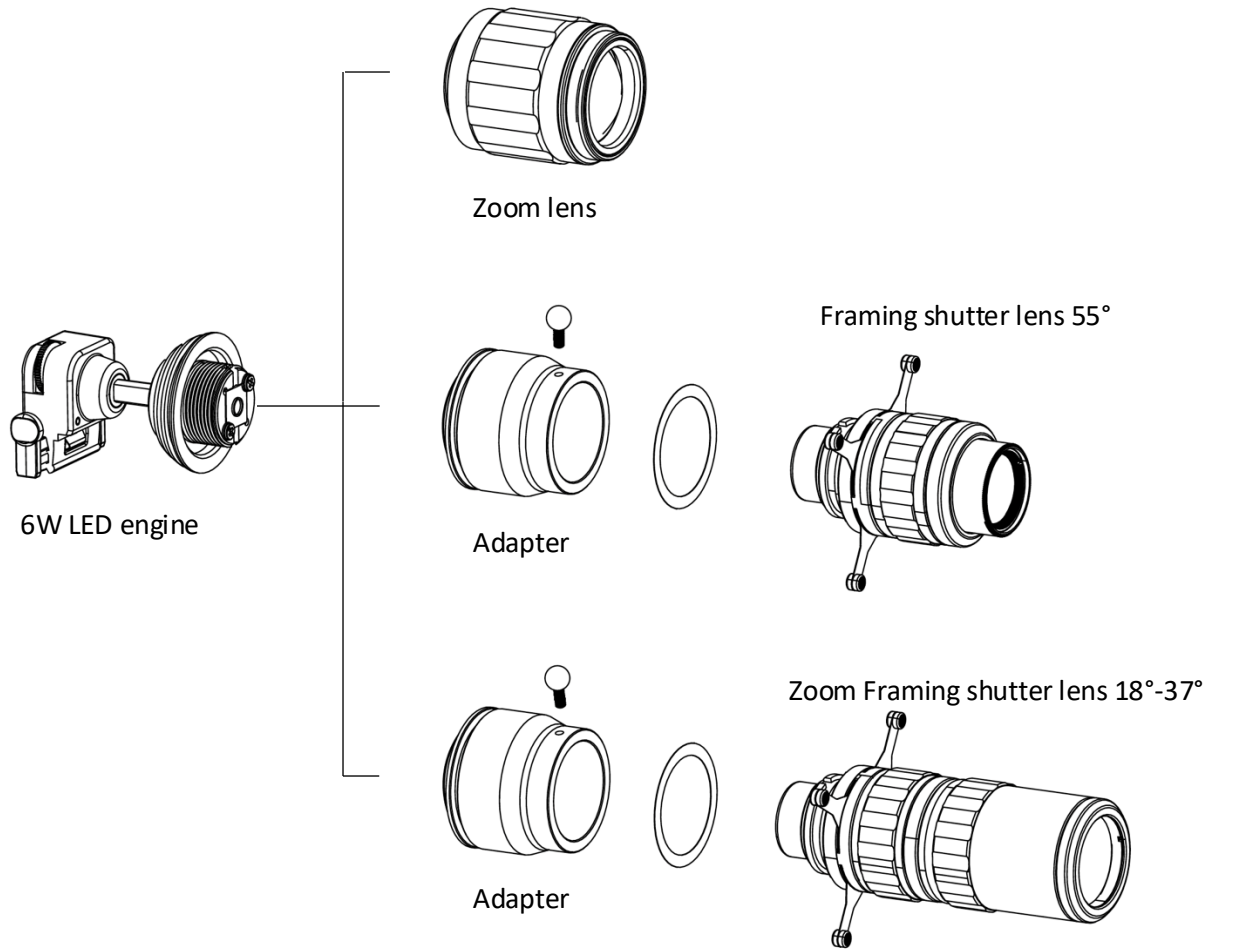
- 1) Read all instructions.
- 2) Do not install this track in damp or wet locations.
- 3) Do not cut any track sections.
- 4) Do not install any part of a track system less than 5 feet above the floor.
- 5) Do not install any luminaire assembly closer than 6 inches from any curtain, or similar combustible material.
- 6) Disconnect electrical power before adding to or changing the configuration of the track.
- 7) Do not attempt to energize anything other than lighting track luminaires on the track. To reduce the risk of fire and electric shock, do not attempt to connect power tools, extension cords, appliances, and the like to the track.

SAVE THESE INSTRUCTIONS



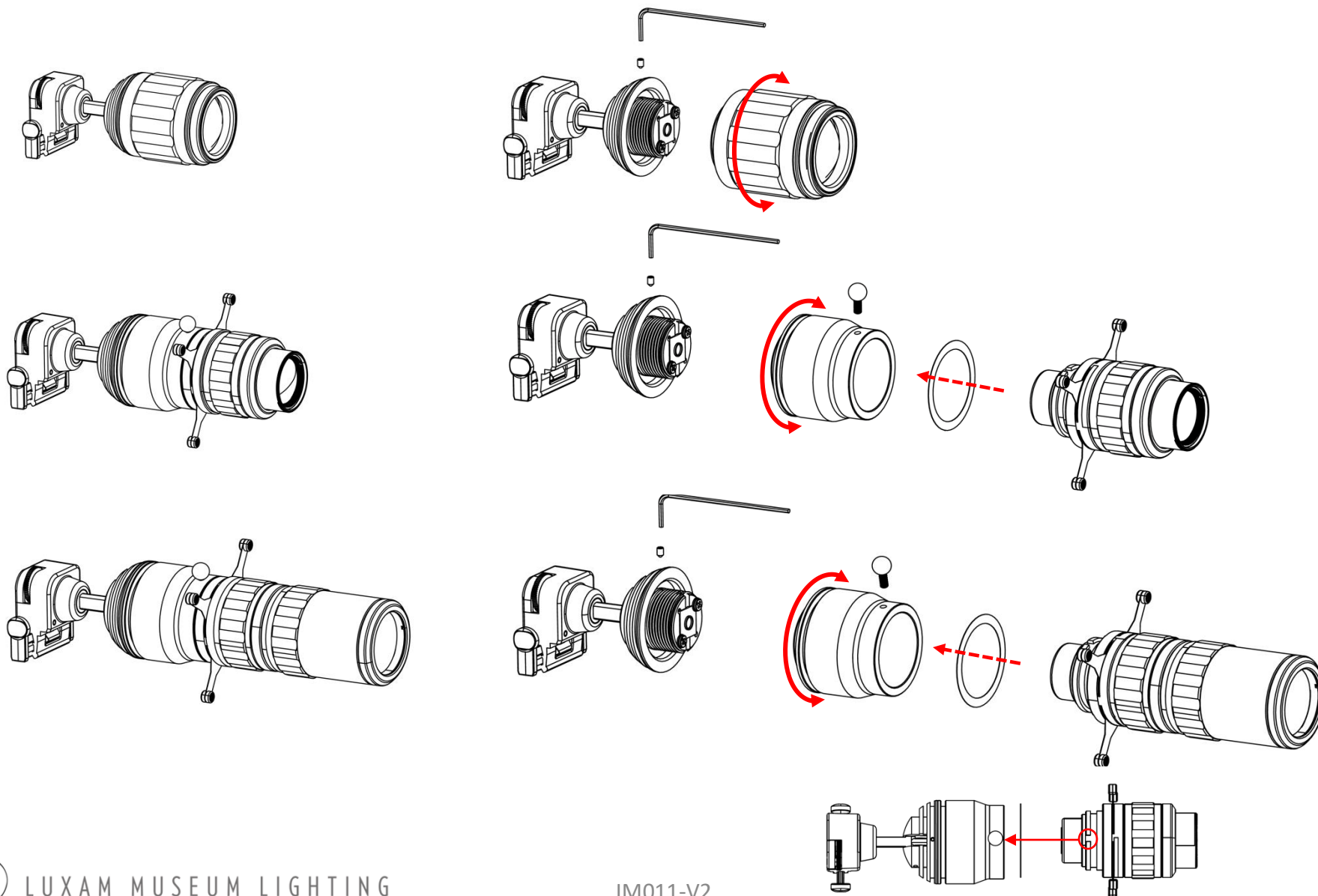
# INSTRUCTION MANUAL

L-MTSP-22 / L-MTFS-22 /L-MTZFS-22 Micro spots 6W



# INSTRUCTION MANUAL

L-MTSP-22 / L-MTFS-22 /L-MTZFS-22 Micro spots 6W



# INSTRUCTION MANUAL

L-MTSP-22 / L-MTFS-22 /L-MTZFS-22 Micro spots 6W

