

# INSTRUCTION MANUAL

## L-MTSA-12 / L-MTSA-02 STANDALONES



### L-MTSA-12

- Power: 1.8W
- Beam angle: 10 to 60°
- Voltage: 12V DC
- No polarity required
- Input current: 100mA
- Dimmer PWM 5-100%
- CRI $\geq$ 96
- CCT: 3000K, 4000K, 5000K
- Indoor use, IP30
- Material: Alum. Alloy / PC
- Fixation by screw-in plate + magnet



### L-MTSA-02

- Power: 4.1W
- Beam angle: 10 to 60°
- Voltage: 12V DC
- No polarity required
- Input current: 320mA
- Dimmer PWM 5-100%
- CRI $\geq$ 96
- CCT: 3000K, 4000K, 5000K
- Indoor use, IP30
- Material: Alum. Alloy / PC
- Fixation by screw-in plate + magnet



### L-MTSA-22

- Power: 7.8W
- Beam angle: 8 to 55°
- Voltage: 11-24 VDC
- No polarity required
- Input current: 330mA to 650mA
- Dimmer PWM 5-100%
- CRI $\geq$ 97
- CCT: 3000K, 4000K, 5000K
- Indoor use, IP30
- Material: Alum. Alloy / PC
- Fixation by screw-in plate + magnet



# INSTRUCTION MANUAL

---

L-MTSA-12 / L-MTSA-02 **STANDALONES**

**IMPORTANT:** Always use with UL class 2 power unit 12VDC maximum for the L-MTSA-12 and L-MTSA-02, and 24VDC maximum for the L-MTSA-22, with isolated output.

## IMPORTANT SAFETY INSTRUCTIONS

- a) Read all instructions.
- b) Do not conceal or extend exposed conductors through a building wall.
- c) Do not install this system in wet locations.
- d) To reduce the risk of fire and burns, do not install this lighting system where the exposed bare conductors can be shorted or contact any conductive materials.
- e) To reduce the risk of fire and overheating, make sure all connections are tight.
- f) Do not install any luminaire closer than 6 in (152 mm) from any curtain, or similar combustible materials.
- g) Turn off electrical power before modifying the lighting system in any way.

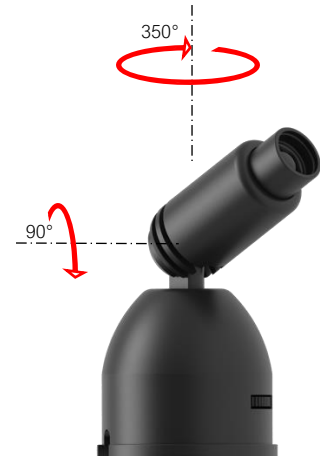
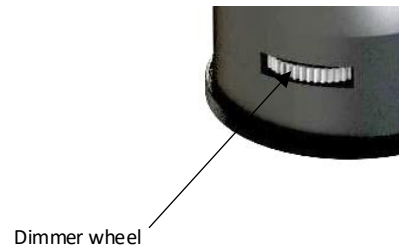
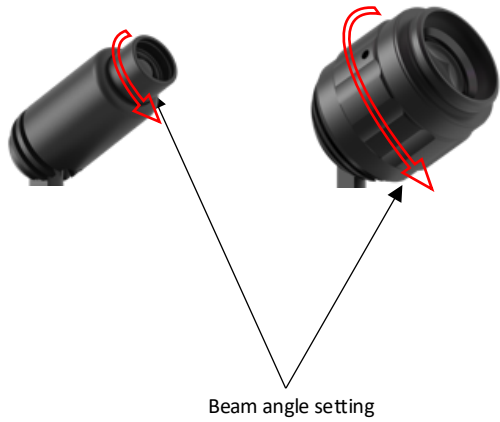
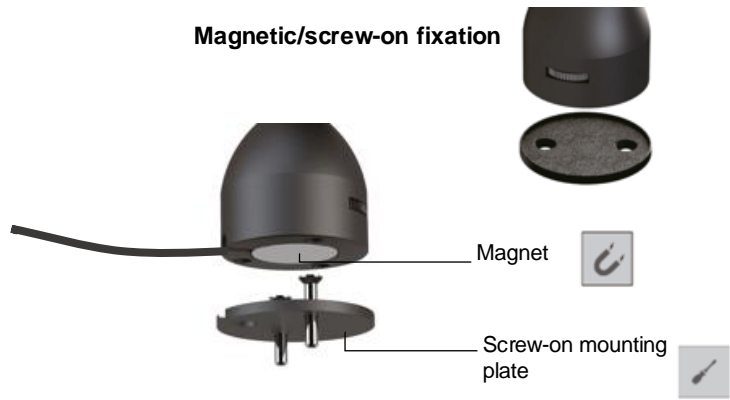
## SAVE THESE INSTRUCTIONS

For the safe handling, installation and operation of the L-MTSA STANDALONES, a thorough review and understanding of the material written in this manual must be completed before starting the installation process. Failure to install the L-MTSA STANDALONES per these instruction will void your warranty. There are no serviceable components in the L-MTSA STANDALONES. Attempting to repair or alter the system in any way will also void your warranty. Always install the L-MTSA STANDALONES according to all local, state, and national codes.

# INSTRUCTION MANUAL

L-MTSA-12 / L-MTSA-02 STANDALONES

Magnetic/screw-on fixation

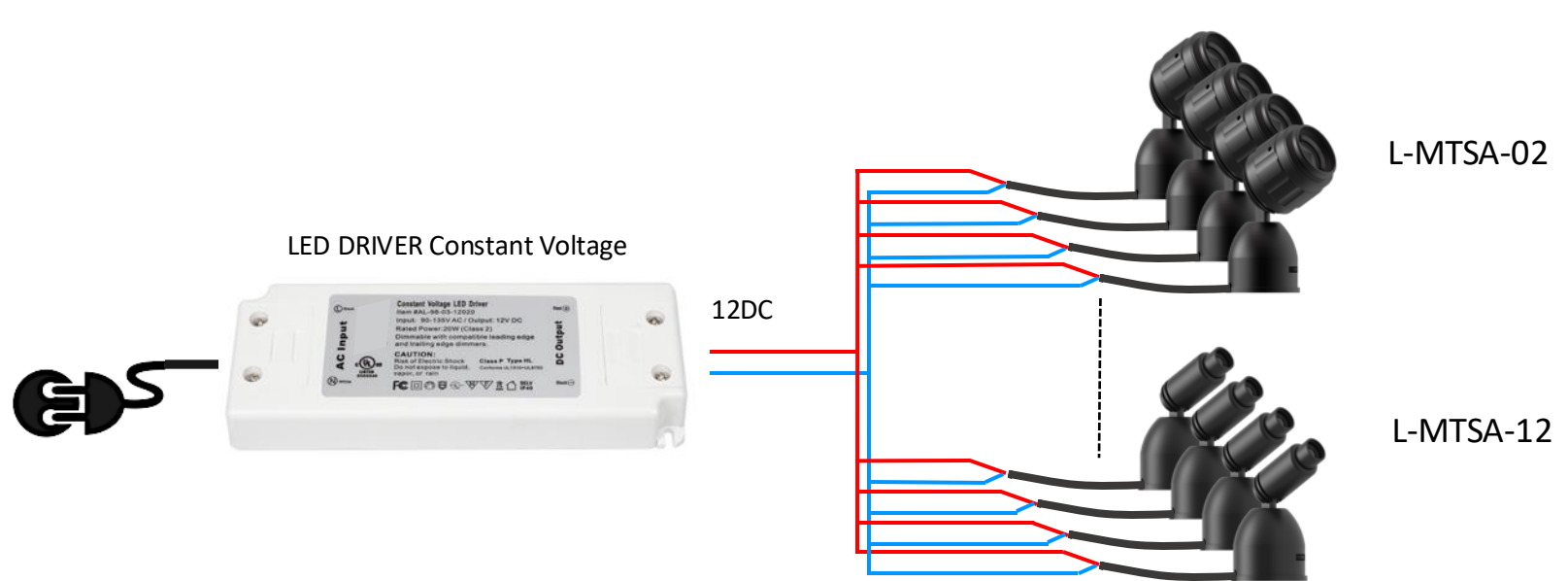


# INSTRUCTION MANUAL

L-MTSA-12 / L-MTSA-02 STANDALONES

## Connection on LED Drivers

**IMPORTANT:** For L-MTSA-12 and L-MTSA-02 only

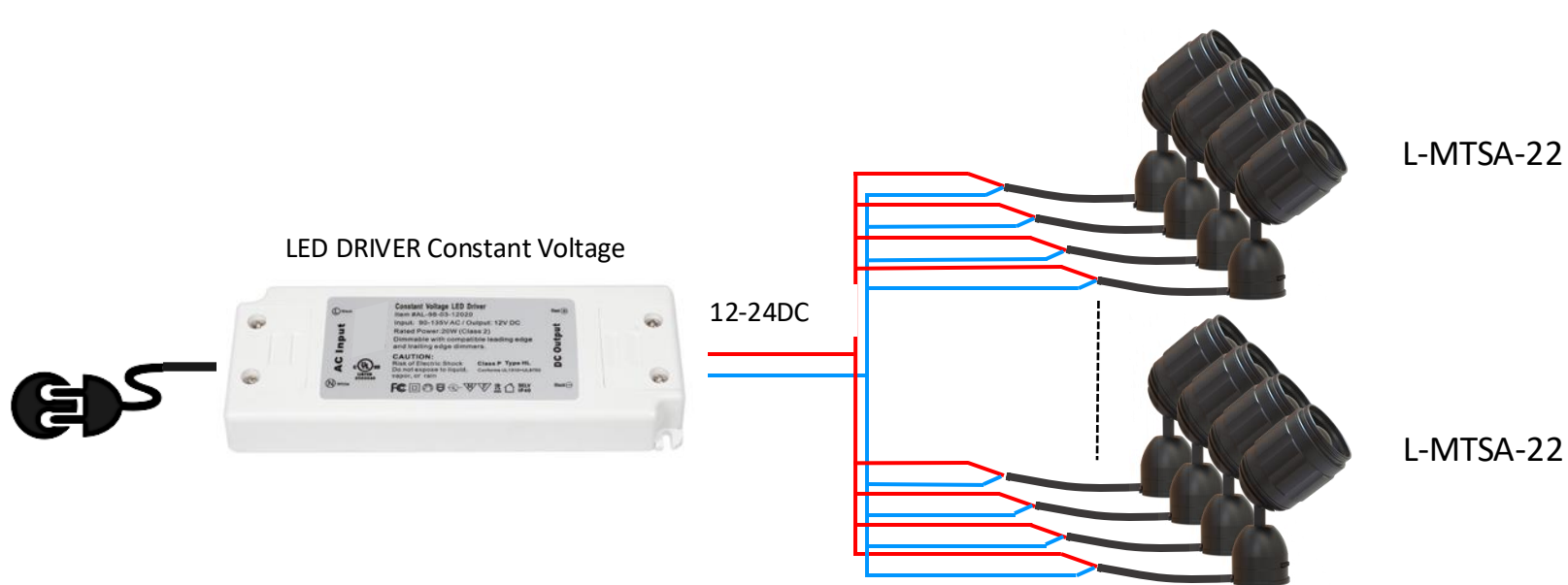


# INSTRUCTION MANUAL

## L-MTSA-22 STANDALONES

### Connection on LED Drivers

**IMPORTANT : For L-MTSA-22 only**

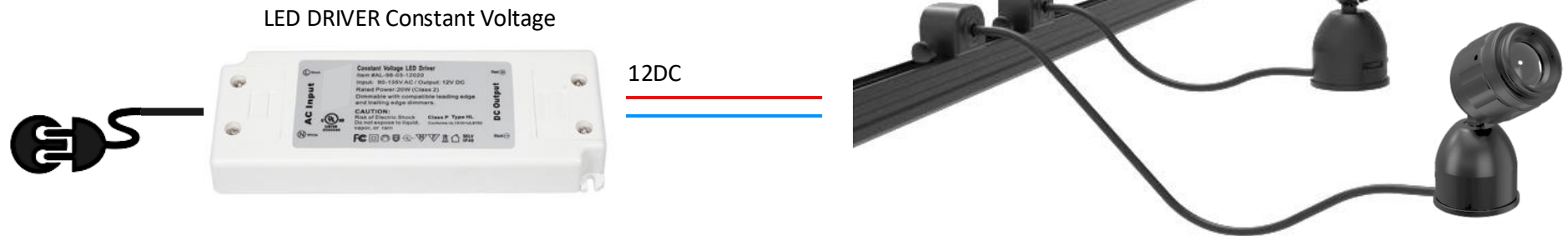


# INSTRUCTION MANUAL

L-MTSA-12 / L-MTSA-02 STANDALONES

## Connection on MicroTrack with connector L-MTPK-40

**IMPORTANT: For L-MTSA-12 and L-MTSA-02 only**



# INSTRUCTION MANUAL

L-MTSA-22 STANDALONES

## Connection on MicroTrack with connector L-MTPK-40

**IMPORTANT: For L-MTSA-22 only**

