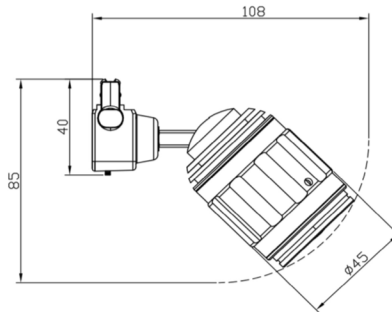
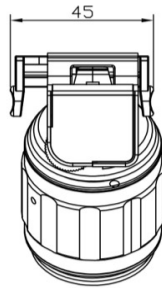




SCAN
TO VIEW VIDEO



FEATURES

- Fully compatible with all MicroTrack systems
- Focusable focusable 8° to 55°
- Fully Dimmable with onboard dimmer
- Accessories include Barndoors, Filter Frames, Angled Snoots

6W ACCESSORIES



L-MTAS-20
ANGLED
SNOOT



L-MTBD-20
BARNDOR

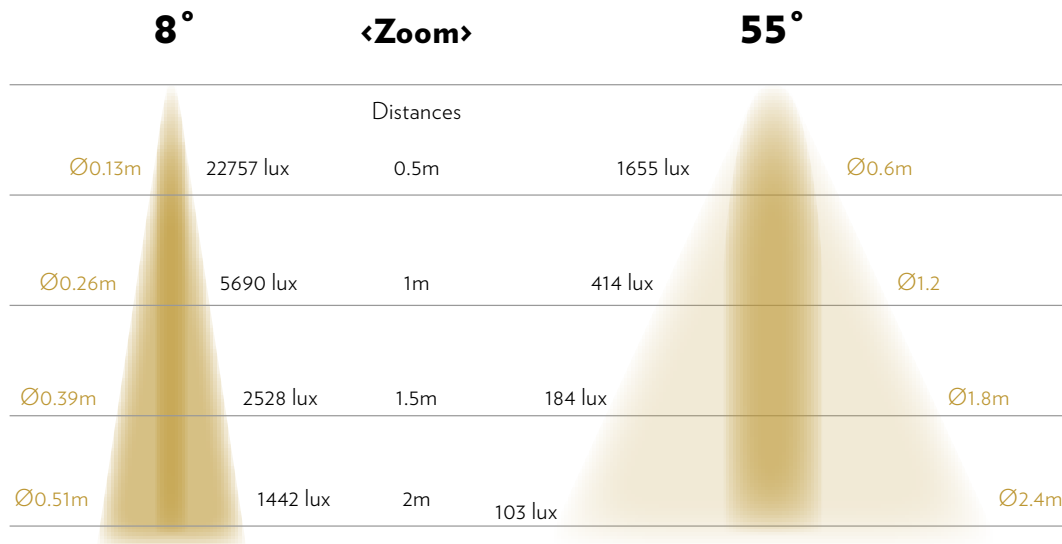


L-MTFH-20
FILTER HOLDER

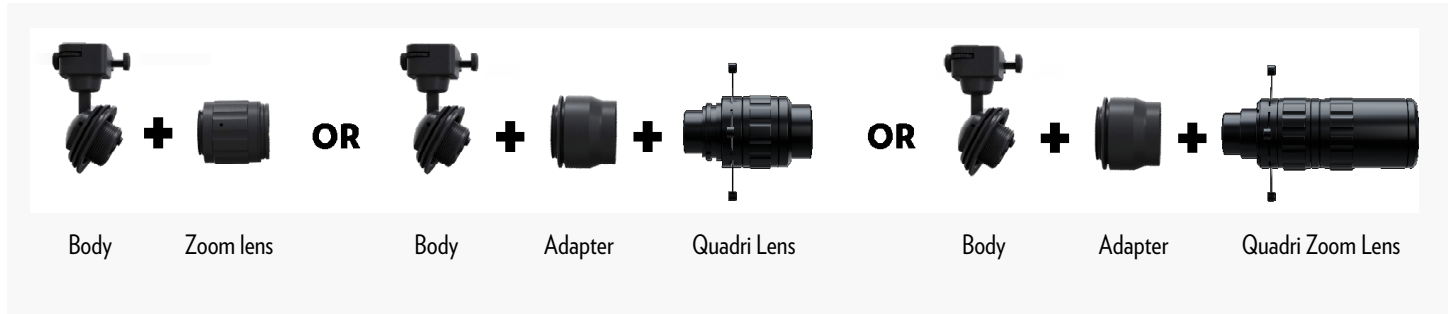
TECHNICAL DATA

Voltage	11v -24 VDC	Color Finishing	Black, White and Silver
Led Wattage	6W	Working Temperature	recommended 10°C to 25°C
Wattage Once Used	7.8W	Storage Temperature	recommended 22°C
Input Current	650mA - 330mA	Certificates / Standard	CE
Beam Angles	Zoomable 8° to 55°	Warranty	5 years
Pan / Tilt	355° / 90°	Drivers Compatible	CV
Luminous Flux & Lumens	813lm @RA97 / 255lm	Lifespan	50000 hours
Color Temperatures Available	3000K/4000K/5000K	Lens	Glass
Adapter	Luxam Micro Track	LED	COB
Dimmable Options	Onboard Dimmer PWM 0-100%	Class	III
CRI	97 typ	Rating	IP30
Weight	158g	Dimensions	103*47*44 (mm)
Main Material	Aluminum	Indoor Use	only

PHOTOMETRICS



6W Spotlights can transform into Zoom Spotlights, Quadri-Framing Shutter Spotlights, and Quadri Zoom Framing-Shutter Spotlights - with one body you can have either a spotlight or a framing shutter spotlight.



DRIVERS COMPATIBLE

Driver	# Fixtures/Driver*	Current
LPV-100-12	11 Fixtures	CV
LPV-60-12	7 Fixtures	CV
LPV-35-12	3 Fixtures	CV
NPF-90-12	10 Fixtures	CV & CC
NPF-40-12	4 Fixtures	CV & CC

SCREW SIZES Focus and Articulation: 1.5mm

VARIATIONS



Please check product cut sheets for details - driver indications vary per product.