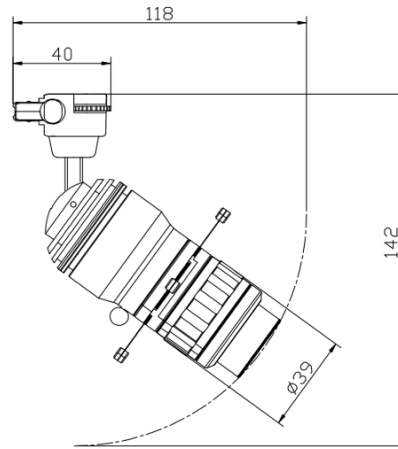




SCAN
TO VIEW VIDEO



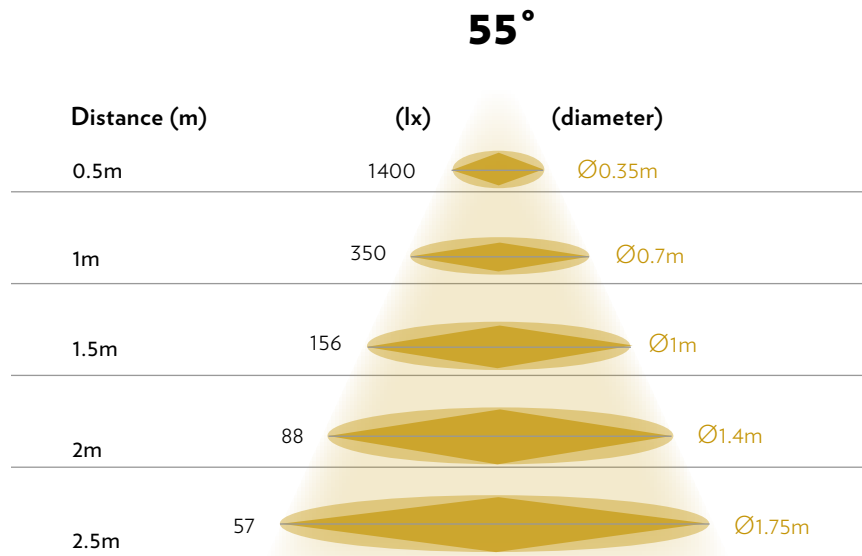
FEATURES

- Fully compatible with all MicroTrack systems
- Fully dimmable with onboard dimmer

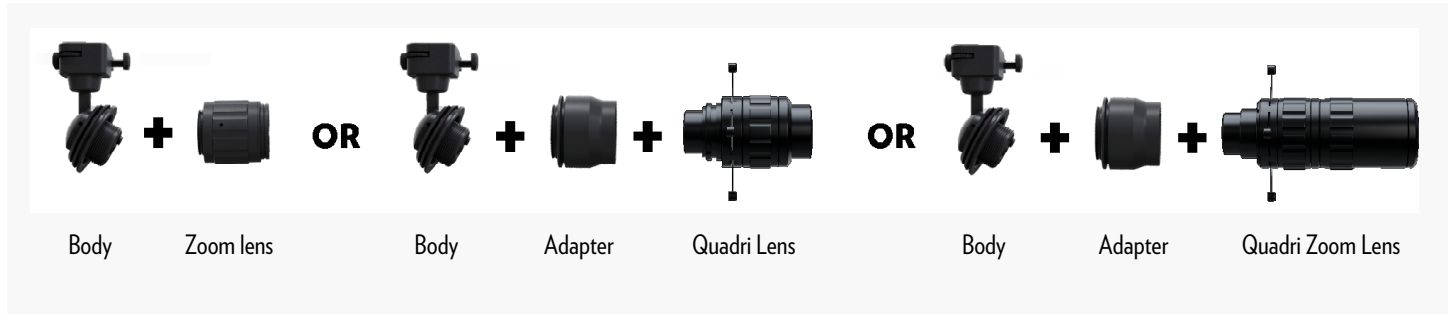
TECHNICAL DATA

Voltage	11v -24VDC	Color Finishing	Black, White and Silver
Led Wattage	6W	Working Temperature	recommended 10°C to 25°C
Wattage Once Used	7.8W	Storage Temperature	recommended 22°C
Input Current	650mA - 330mA	Certificates & Warranty	CE / 5 years
Beam Angles	55°	Drivers Compatible	CV
Pan / Tilt	355°/90°	Lifespan	50000 hours
Color Temperatures Available	3000K,4000K,5000K	Lens	Glass
Adapter	Luxam Micro Track	LED	COB
Dimmable Options	Onboard Dimmer PWM 0-100%	Class	⚡
CRI	97 typ	Rating	IP30
Weight	265g	Dimensions	146*50*44 (mm)
Main Material	Aluminum	Indoor Use	only

PHOTOMETRICS



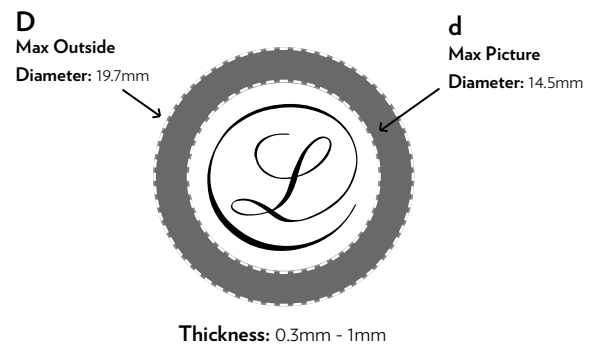
6W Spotlights can transform into Zoom Spotlights, Quadri-Framing Shutter Spotlights, and Quadri Zoom Framing-Shutter Spotlights - with one body you can have either a spotlight or a framing shutter spotlight.



GOBO DETAILS

A gobo adds depth and texture to your setup. The L-MTFS-22 6W Quadri Framing Spotlight accepts 19.7mm outer diameter, 14.5mm inner diameter, 0.3mm-1mm thick glass or stainless steel gobos, including full color glass and plastic options.

LENS CODES: L-MTZQ-1536 and L-MTQD-55



DRIVERS

Driver	# Fixtures/Driver*	Current
LPV-100-12	11 Fixtures	CV
LPV-60-12	7 Fixtures	CV
LPV-35-12	3 Fixtures	CV
NPF-90-12	10 Fixtures	CV & CC
NPF-40-12	4 Fixtures	CV & CC

SCREW SIZES Articulation: 1.5mm

VARIATIONS



Please check product cut sheets for details - driver indications vary per product.