

## FEATURES

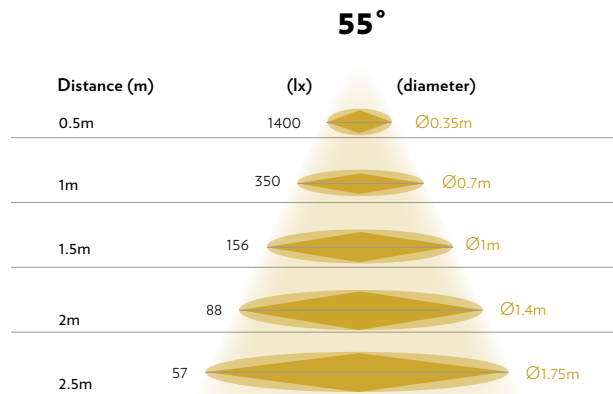
- Compatible with DMX
- Magnet base option available
- Easily interchangeable between 3 head options using the same base.

**TECHNICAL DATA**

<b>Voltage</b>	For Constant Current Driver 36V DC output voltage minimum	<b>Main Material</b>	Aluminum
<b>Wattage Once Used</b>	6W	<b>Color Finishing</b>	Black, White and Silver
<b>Input Current</b>	170mA Constant Current (connect in series)	<b>Working Temperature</b>	recommended 10°C to 25°C
<b>Beam Angles</b>	55°	<b>Storage Temperature</b>	recommended 22°C
<b>Pan / Tilt</b>	355°/90°	<b>Certificates &amp; Warranty</b>	CE / 5 years
<b>Color Temperatures Available</b>	3000K, 4000K, 5000K	<b>Drivers Compatible</b>	CC (Constant Current)
<b>Adapter</b>	Surface Mount	<b>Lifespan</b>	50000 hours
<b>Dimmable Options</b>	Dimmable with PMW driver	<b>Lens</b>	Glass
<b>CRI</b>	97 typ	<b>LED</b>	COB
<b>Weight</b>	340gr		

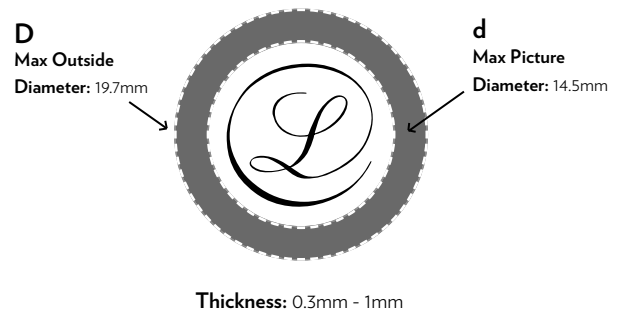
**These fixtures need to be wired together in series.**

**PHOTOMETRICS**



**GOBO DETAILS**

A gobo adds depth and texture to your setup. The L-MSFS-20 6W Quadri Standalone accepts 19.7mm outer diameter, 14.5mm inner diameter, 0.3mm-1mm thick glass or stainless steel gobos, including full color glass and plastic options.



**LENS CODES:** L-MTZQ-1536 and L-MTQD-55



6W Spotlights can transform into Zoom Spotlights, Quadri-Framing Shutter Spotlights, and Quadri Zoom Framing-Shutter Spotlights - with one body you can have either a spotlight or a framing shutter spotlight.



**DRIVERS COMPATIBLE**

Driver	Min-Max #of Fixtures	Current	Setting
SE-12-100-500-W1A	1 Fixture	CC	170mA (9-42V)
SE-20-100-700-W1A	1 Fixture	CC	180mA (9-42V)
DMX-25-150-900-U1P1	1 Fixture	CC	180mA (10-54V)
L-CT-DMX/RDW-6W-6CH	1 Fixture/Channel	CC	No setting

**SCREW SIZES** Focus and Articulation: 1.5mm  
Base: 0.9mm

**VARIATIONS**



Please check product cut sheets for details - driver indications vary per product.