



Fiber Optic lightsticks are the linear expression of fiber optic lighting. They are designed to illuminate two-dimensional surfaces with an even spread of light. Perfect for documents, books, and text panels. A shadowless wash of light.

Lightsticks can also set a base light in a 3D space uniformly for small cases. Combined with adjustable textures like the Micro, you can layer the light levels for contrast and details.

Lightsticks create a uniform wash delivered at 60 degrees standard, as well as 30-degree tight focus and 90-degree wide focus for vitrines.

Custom fabricated to your exact specifications.

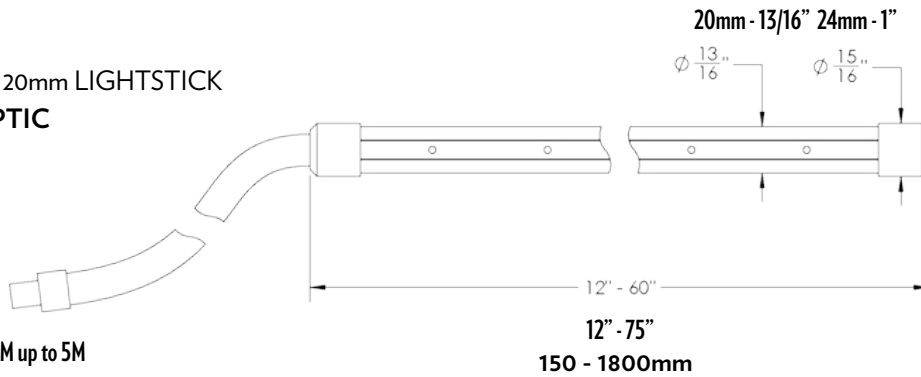
Fiber Lightsticks are perfect for objects with stringent conservation requirements. Please specify Lightstick length measured from End Cap to tail cap for proper fit.



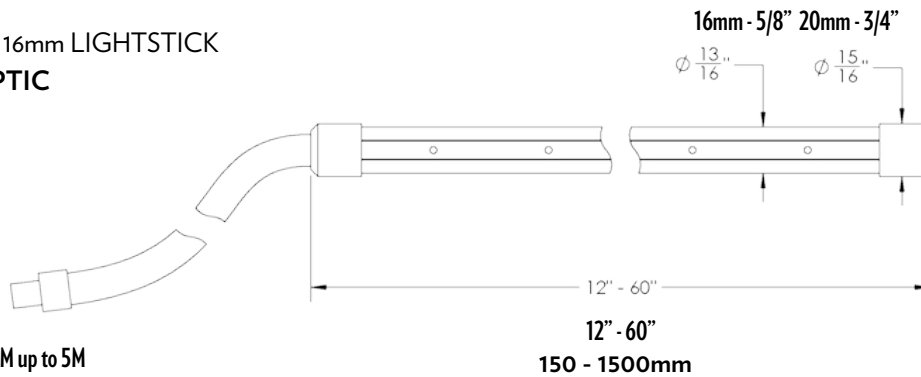


PLAN FOR MINIMUM 2" to turn fiber feed 90°

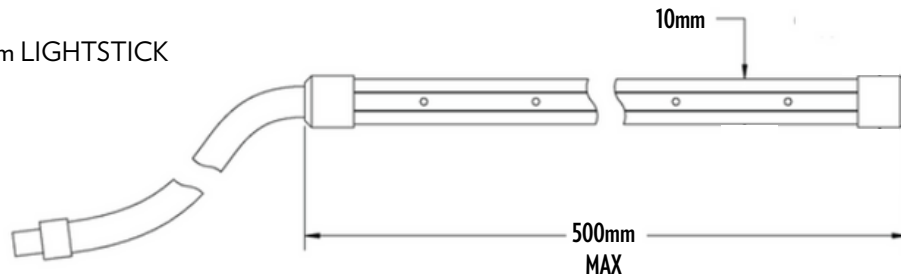
**Standard - 20mm LIGHTSTICK
FIBER OPTIC**



**Standard - 16mm LIGHTSTICK
FIBER OPTIC**



Micro - 10mm LIGHTSTICK



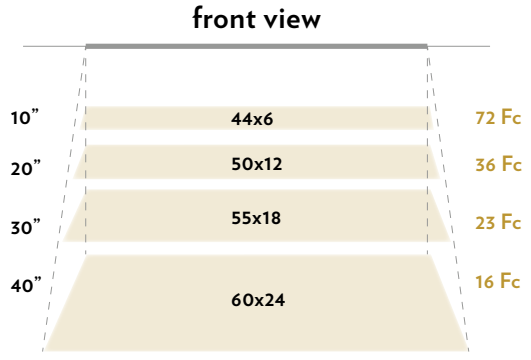
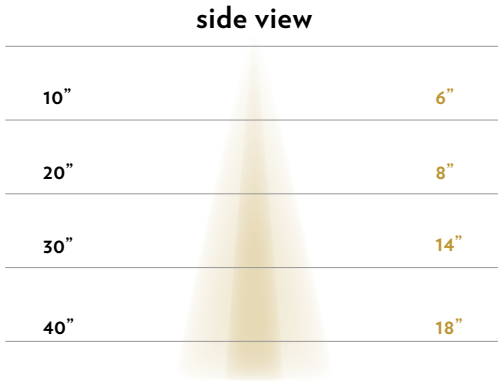
- Please specify tail length from tail cap to 30mm connector and illuminator. Lightsticks can terminate to a common 30mm connector with a maximum of 120" total length.
- Please contact Luxam to discuss fiber mating choices. Lightsticks can be mated to double standard length and require return tails to exit both ends of the stick.
- Additional link cable per Meter and double density Lightsticks available upon request (reduces possible length by 50%).



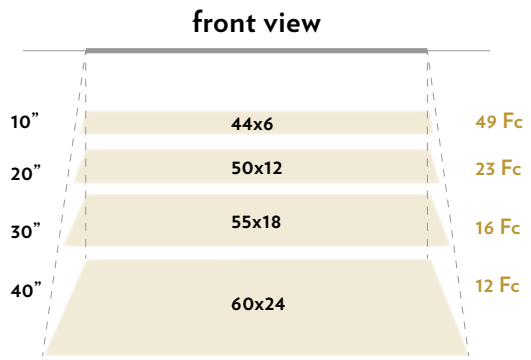
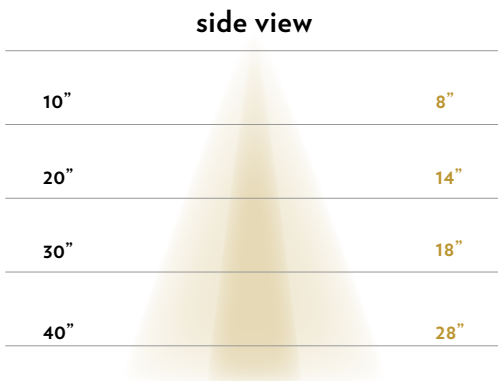
PHOTOMETRICS

40" LIGHTSTICK - 10-200-B 35W ILLUMINATOR @ 700 MA

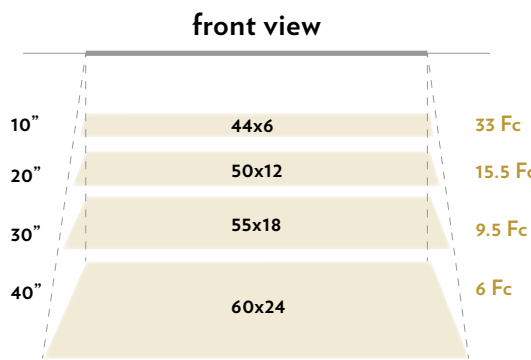
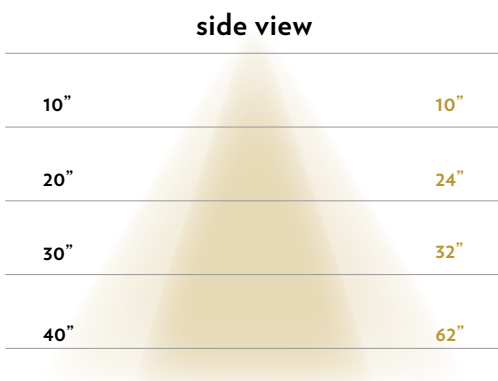
30° light beam



60° light beam



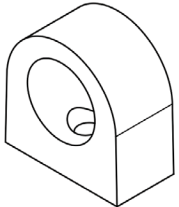
90° light beam



MOUNTING

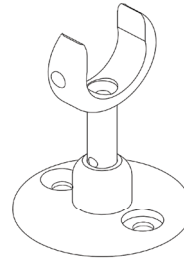
Elbow Gantry with Flange

90° elbow for 16mm and 20mm for gantry and thrust mounting in table cases, vitrines, and wall cases. To specify stick lenght for elbows - provide drawing.



CLAM SHELL

- Base support for 16mm black 22-105
- Base support for 20mm black 22-101



C-CLAMP WITH 65-103 BASE

- C-clamp with surface mount 16mm – 65-502
- C-clamp with surface mount 20mm – 65-503
- C-clamp with surface mount 24mm – 65-504



VERTICAL FLANGE

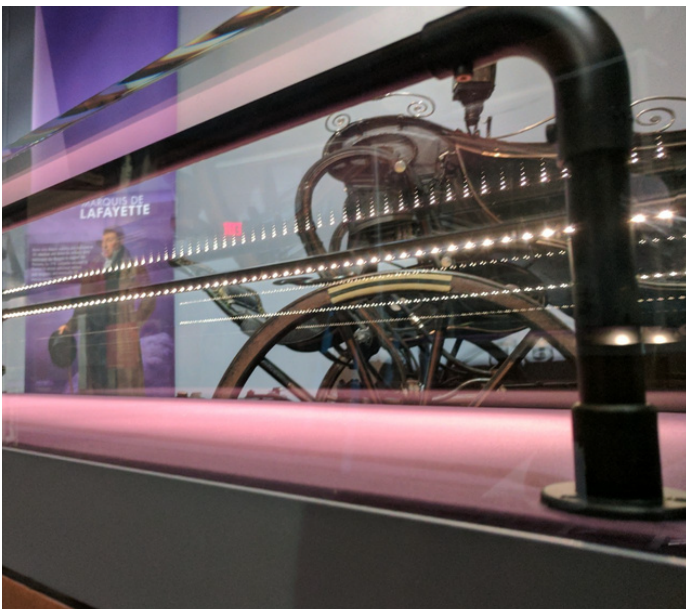
- for 16mm – 22-104

STEMS

- Stems 15, 30, 60, 75, and 90 mm

C-CLAMP SIZE

- Code x stem length, mm
- Order Code example: 65-502-15



Gantry elbows mounts
Flange socket for vertical Lightsticks and gantry sticks

Vertical