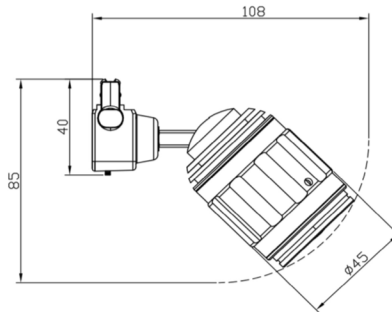
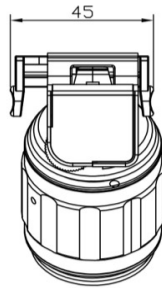




**SCAN**  
TO VIEW VIDEO



## FEATURES

- Fully compatible with all MicroTrack systems
- Focusable focusable 8° to 55°
- Fully Dimmable with onboard dimmer
- Accessories include Barndoors, Filter Frames, Angled Snoots

## 6W ACCESSORIES



**L-MTAS-20**  
ANGLED  
SNOOT



**L-MTBD-20**  
BARNDOOR

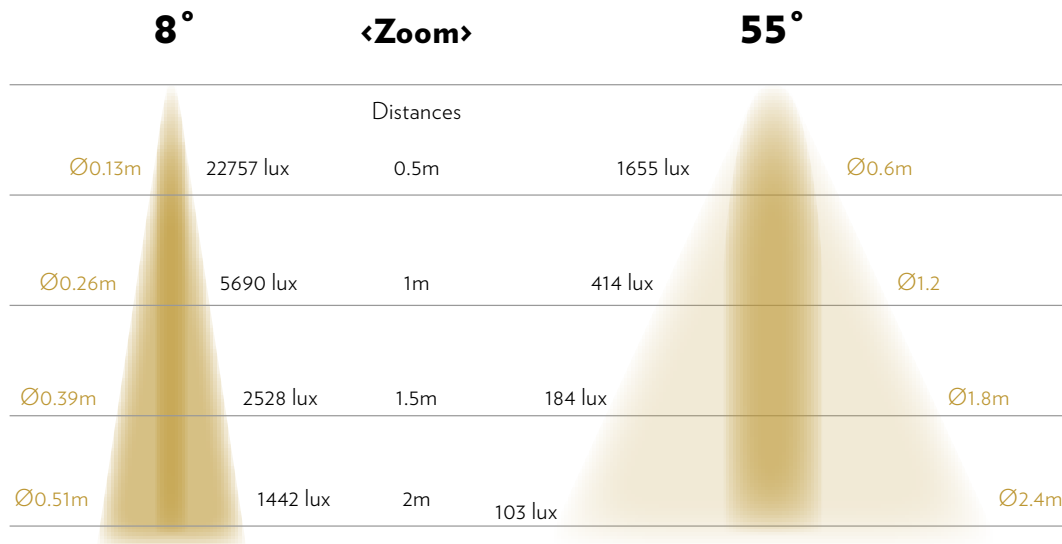


**L-MTFH-20**  
FILTER HOLDER

TECHNICAL DATA

<b>Voltage</b>	11v -24 VDC	<b>Color Finishing</b>	Black, White and Silver
<b>Led Wattage</b>	6W	<b>Working Temperature</b>	recommended 10°C to 25°C
<b>Wattage Once Used</b>	7.8W	<b>Storage Temperature</b>	recommended 22°C
<b>Input Current</b>	650mA - 330mA	<b>Certificates / Standard</b>	CE
<b>Beam Angles</b>	Zoomable 8° to 55°	<b>Warranty</b>	5 years
<b>Pan / Tilt</b>	355° / 90°	<b>Drivers Compatible</b>	CV
<b>Luminous Flux &amp; Lumens</b>	813lm @RA97 / 255lm	<b>Lifespan</b>	50000 hours
<b>Color Temperatures Available</b>	3000K/4000K/5000K	<b>Lens</b>	Glass
<b>Adapter</b>	Luxam Micro Track	<b>LED</b>	COB
<b>Dimmable Options</b>	Onboard Dimmer PWM 0-100%	<b>Class</b>	III
<b>CRI</b>	97 typ	<b>Rating</b>	IP30
<b>Weight</b>	158g	<b>Dimensions</b>	103*47*44 (mm)
<b>Main Material</b>	Aluminum	<b>Indoor Use</b>	only

PHOTOMETRICS



6W Spotlights can transform into Zoom Spotlights, Quadri-Framing Shutter Spotlights, and Quadri Zoom Framing-Shutter Spotlights - with one body you can have either a spotlight or a framing shutter spotlight.



**DRIVERS COMPATIBLE**

Driver	# Fixtures/Driver*	Current
LPV-100-12	11 Fixtures	CV
LPV-60-12	7 Fixtures	CV
LPV-35-12	3 Fixtures	CV
NPF-90-12	10 Fixtures	CV & CC
NPF-40-12	4 Fixtures	CV & CC

**SCREW SIZES** Focus and Articulation: 1.5mm

**VARIATIONS**



Please check product cut sheets for details - driver indications vary per product.