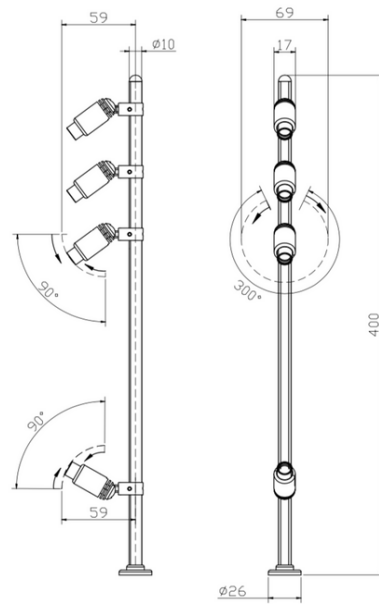


L-UPL-10-2/3/4



FEATURES

- Choose between 2, 3, or 4 heads - standard and custom heights available
- Full range of accessories – Barndoors, Snoots, Filter frame, etc.
- Fixed on a 10mm bar
- Each head is individually focusable 9° to 70°
- These fixtures need to be wired together in series.

1W ACCESSORIES



L-MTAS-10
ANGLED
SNOOT



L-MTBD-10
BARNDOOR



L-MTFH-10
FILTER HOLDER



L-MTBR-10
BEAM REDUCER

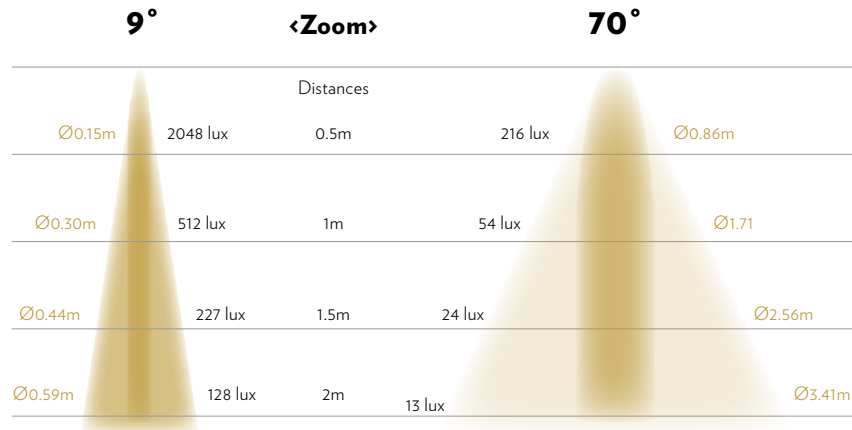


TECHNICAL DATA

	L-UPL-10-1	L-UPL-10-2	L-UPL-10-3	L-UPL-10-4
Voltage	For Constant Current Drivers with an output voltage range starting from 2.75V DC or less	For Constant Current Drivers with an output voltage range starting from 5.5V DC or less	For Constant Current Drivers with an output voltage range starting from 8.25V DC or less	For Constant Current Drivers with an output voltage range starting from 11V DC or less
Wattage Once Used	1W	2W	3W	4W
Input Current	300-350mA Constant Current (connect in series)	600-700mA Constant Current (connect in series)	900-1050mA Constant Current (connect in series)	1200-1400mA Constant Current (connect in series)
Beam Angles	Zoomable 9 to 70°	Zoomable 9 to 70°	Zoomable 9 to 70°	Zoomable 9 to 70°
Pan / Tilt	355°/90°	355°/90°	355°/90°	355°/90°
Luminous Flux & Lumens / head	98lm @RA97 / 56 lm	98lm @RA97 / 56 lm	98lm @RA97 / 56 lm	98lm @RA97 / 56 lm
Color Temperatures	3000K, 4000K, 5000K	3000K, 4000K, 5000K	3000K, 4000K, 5000K	3000K, 4000K, 5000K
Adapter	Surface mount	Surface mount	Surface mount	Surface mount
Dimmable Options	Dimmable with PMW driver	Dimmable with PMW driver	Dimmable with PMW driver	Dimmable with PMW driver
CRI	97 typ	97 typ	97 typ	97 typ
Weight	89g	143g	163g	183g
Main Material	Aluminum	Aluminum	Aluminum	Aluminum
Color Finishing	Black, White, Silver, Gold	Black, White, Silver, Gold	Black, White, Silver, Gold	Black, White, Silver, Gold
Working Temperature	recommended 10°C to 25°C	recommended 10°C to 25°C	recommended 10°C to 25°C	recommended 10°C to 25°C
Storage Temperature	recommended 22°C	recommended 22°C	recommended 22°C	recommended 22°C
Certificates	UL - CE	UL - CE	UL - CE	UL - CE
Warranty	5 years	5 years	5 years	5 years
Class	◆	◆	◆	◆
Rating	IP30	IP30	IP30	IP30
Drivers Compatible	CC	CC	CC	CC
Lifespan	50000H	50000H	50000H	50000H
Lens	Glass	Glass	Glass	Glass
LED	SMD CERAMIC	SMD CERAMIC	SMD CERAMIC	SMD CERAMIC
Dimensions	360*73*24 (mm)	450*75*26 (mm)	450*75*26 (mm)	450*75*26 (mm)
Indoor Use	Only	Only	Only	Only
Length of Tail	145cm	145cm	145cm	145cm

These fixtures need to be wired together in series.

PHOTOMETRICS



DRIVERS COMPATIBLE

L-UPL-10-1
Driver

Driver	Min-Max #of Fixtures	Current	Setting
SE-10-350-700-W1A	1-4 Stems	CC	350mA (2-12V)
SE-12-350-700-W1A	5-8 Stems	CC	350mA (10-24V)
SE-30-200-800-W1A	4-15 Stems	CC	350mA (9-42V)
SE-40-300-1050-W1A	4-15 Stems	CC	350mA (9-42V)
DMX-25-150-900-U1P1	4-18 Stems	CC	350mA (10-54V)
L-CT-DMX/RDW-1-3W-6CH	1-6 Stems	CC	350mA (3-21V)

SCREW SIZES Focus and Articulation: 0.9mm

L-UPL-10-2

Driver	Min-Max #of Fixtures	Current	Setting
AD-36-200-1200-U1P1	2-9 Stems	CC	350mA (10-54V)
SE-10-350-700-W1A	1-2 Stems	CC	350mA (2-12V)
SE-12-350-700-W1A	2-4 Stems	CC	350mA (10-24V)
SE-30-200-800-W1A	2-6 Stems	CC	350mA (9-42V)
SE-40-300-1050-W1A	2-6 Stems	CC	350mA (9-42V)
DMX-25-150-900-U1P1	2-9 Stems	CC	350mA (10-54V)
L-CT-DMX/RDW-1-3W-6CH	1-3 Stems/channel	CC	350mA (3-21V)

SCREW SIZES Focus and Articulation: 0.9mm

L-UPL-10-3

Driver	Min-Max #of Fixtures	Current	Setting
AD-36-200-1200-U1P1	2-6 Stems	CC	350mA (10-54V)
SE-10-350-700-W1A	1 Stems	CC	350mA (2-12V)
SE-30-200-800-W1A	2-5 Stems	CC	350mA (9-42V)
SE-40-300-1050-W1A	2-5 Stems	CC	350mA (9-42V)
DMX-25-150-900-U1P1	2-6 Stems	CC	350mA (10-54V)
DMX-25-150-900-U1P1	1-2 Stems/channel	CC	350mA (3-21V)

SCREW SIZES Focus and Articulation: 0.9mm

L-UPL-10-4

Driver	Min-Max #of Fixtures	Current	Setting
AD-36-200-1200-U1P1	1-4 Stems	CC	350mA (10-54V)
SE-40-300-1050-W1A	1-3 Stems	CC	350mA (9-42V)
DMX-25-150-900-U1P1	1-4 Stems	CC	350mA (10-54V)
L-CT-DMX/RDW-1-3W-6CH	1 Stems/channel	CC	350mA (3-21V)

SCREW SIZES Focus and Articulation: 0.9mm

VARIATIONS



L-MTSP-11
1W Remote Dimmer



L-MTSA-12
1W Standalone
Onboard Dimmer



L-MTSP-12
1W Spotlight



L-MSPS-10
1W Standalone Remote Dimmer

Please check product cut sheets for details - driver indications vary per product.