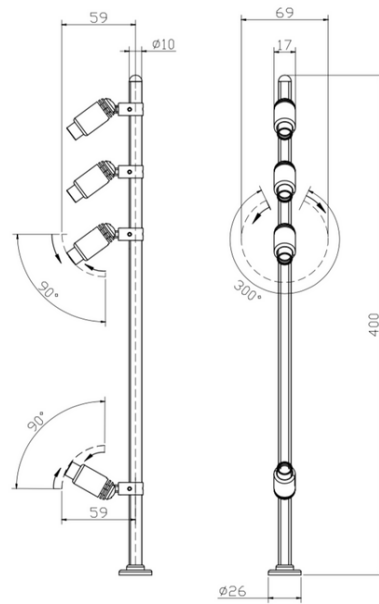


L-UPL-10-2/3/4



FEATURES

- Choose between 2, 3, or 4 heads - standard and custom heights available
- Full range of accessories – Barndoors, Snoots, Filter frame, etc.
- Fixed on a 10mm bar
- Each head is individually focusable 9° to 70°

1W ACCESSORIES



L-MTAS-10
ANGLED SNOOT



L-MTBD-10
BARNDOOR



L-MTFH-10
FILTER HOLDER

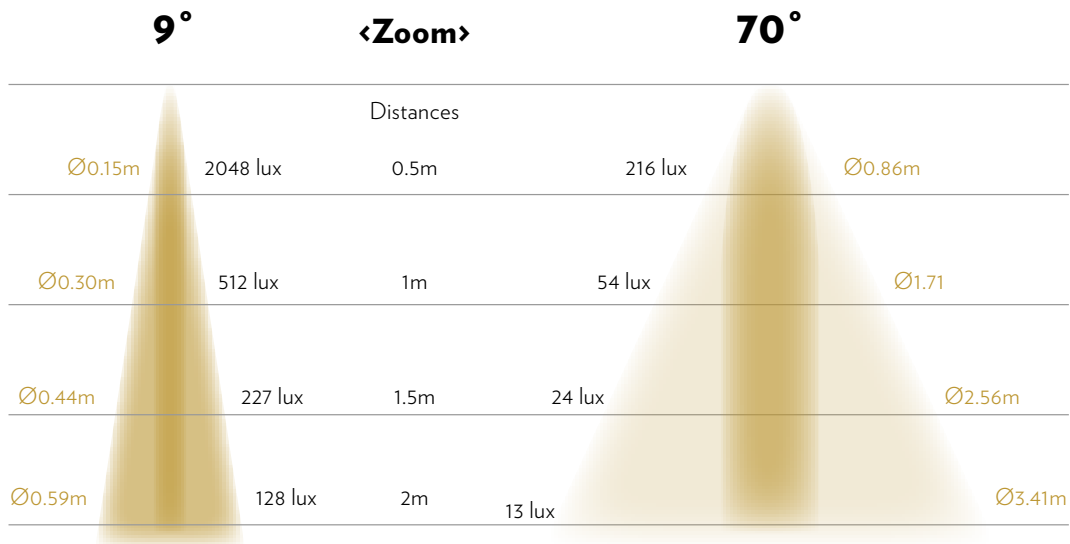


TECHNICAL DATA

	L-UPL-10-2	L-UPL-10-3	L-UPL-10-4
Voltage	5.6 VDC min	8.4 VDC min	11.2 VDC min
Wattage Once Used	2W	3W	4W
Input Current	600-700mA Constant Current	900-1050mA Constant Current	1200-1400mA Constant Current
Beam Angles	Zoomable 9 to 70°	Zoomable 9 to 70°	Zoomable 9 to 70°
Pan / Tilt	355°/90°	355°/90°	355°/90°
Luminous Flux & Lumens / head	98lm @RA97 / 56 lm	98lm @RA97 / 56 lm	98lm @RA97 / 56 lm
Color Temperatures	3000K, 4000K, 5000K	3000K, 4000K, 5000K	3000K, 4000K, 5000K
Adapter	Surface mount	Surface mount	Surface mount
Dimmable Options	Dimmable with PMW driver	Dimmable with PMW driver	Dimmable with PMW driver
CRI	97 typ	97 typ	97 typ
Weight	143g	163g	183g
Main Material	Aluminum	Aluminum	Aluminum
Color Finishing	Black, White, Silver, Gold	Black, White, Silver, Gold	Black, White, Silver, Gold
Working Temperature	recommended 10°C to 25°C	recommended 10°C to 25°C	recommended 10°C to 25°C
Storage Temperature	recommended 22°C	recommended 22°C	recommended 22°C
Certificates	UL - CE	UL - CE	UL - CE
Warranty	5 years	5 years	5 years
Class	ⓘ	ⓘ	ⓘ
Rating	IP30	IP30	IP30
Drivers Compatible	CC	CC	CC
Lifespan	50000H	50000H	50000H
Lens	Glass	Glass	Glass
LED	SMD CERAMIC	SMD CERAMIC	SMD CERAMIC
Dimensions	450*75*26 (mm)	450*75*26 (mm)	450*75*26 (mm)
Indoor Use	Only	Only	Only
Length of Tail	145cm	145cm	145cm



PHOTOMETRICS



DRIVERS COMPATIBLE

L-UPL-10-2

Driver	Min-Max #of Fixtures	Current	Setting
AD-36-200-1200-U1P1	1-9 Fixtures	CC	350mA
SE-12-350-700-W1A	1-4 Fixtures	CC	350mA
DMX-25-150-900-U1P1	1-9 Fixtures	CC	350mA

L-UPL-10-3

Driver	Min-Max #of Fixtures	Current	Setting
AD-36-200-1200-U1P1	1-6 Fixtures	CC	350mA
SE-12-350-700-W1A	1-3 Fixtures	CC	350mA
DMX-25-150-900-U1P1	1-6 Fixtures	CC	350mA

L-UPL-10-4

Driver	Min-Max #of Fixtures	Current	Setting
AD-36-200-1200-U1P1	1-4 Fixtures	CC	350mA
SE-12-350-700-W1A	1-2 Fixtures	CC	350mA
DMX-25-150-900-U1P1	1-4 Fixtures	CC	350mA



VARIATIONS



L-MTSP-11
1W Remote Dimmer



L-MTSA-12
1W Standalone
Onboard Dimmer



L-MTSP-12
1W Spotlight



L-MSPS-10
1W Standalone Remote Dimmer

Please check product cut sheets for details - driver indications vary per product.

