

## FEATURES

- Our micro track head in a stand-alone configuration dual base magnetic and screw in base.
- Accepts all accessories for 1W
- Fully focusable 9° to 70°

## 1W ACCESSORIES



**L-MTAS-10**  
ANGLED SNOOT



**L-MTBD-10**  
BARNDOOR



**L-MTFH-10**  
FILTER HOLDER

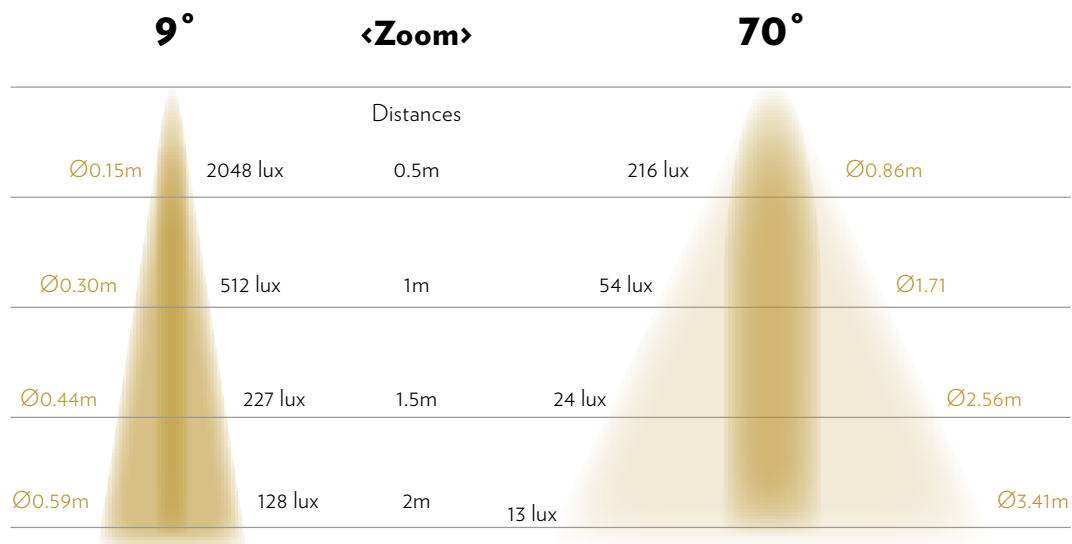


**L-MTBR-10**  
BEAM REDUCER

TECHNICAL DATA

<b>Voltage</b>	DC 12v	<b>Color Finishing</b>	Black, White and Silver
<b>Led Wattage</b>	1W	<b>Working Temperature</b>	recommended 10°C to 25°C
<b>Wattage Once Used</b>	1.2W	<b>Storage Temperature</b>	recommended 22°C
<b>Input Current</b>	100mA	<b>Certificates &amp; Warranty</b>	UL - CE / 5 years
<b>Beam Angles</b>	Zoomable 9 to 70°	<b>Drivers Compatible</b>	CV
<b>Pan / Tilt</b>	355°/90°	<b>Lifespan</b>	50000 hours
<b>Luminous Flux &amp; Lumens</b>	98lm @RA97 / 56 lm	<b>Lens</b>	Glass
<b>Color Temperatures Available</b>	3000K,4000K,5000K	<b>LED</b>	SMD CERAMIC
<b>Adapter</b>	Surface mount	<b>Class</b>	⚡
<b>Dimmable Options</b>	On board Dimmer: PWM, range 0-100%	<b>Rating</b>	IP30
<b>CRI</b>	97 typ	<b>Dimensions</b>	83*40*44 (mm)
<b>Weight</b>	114g	<b>Indoor Use</b>	only
<b>Main Material</b>	Aluminum	<b>Length of Tail</b>	145cm

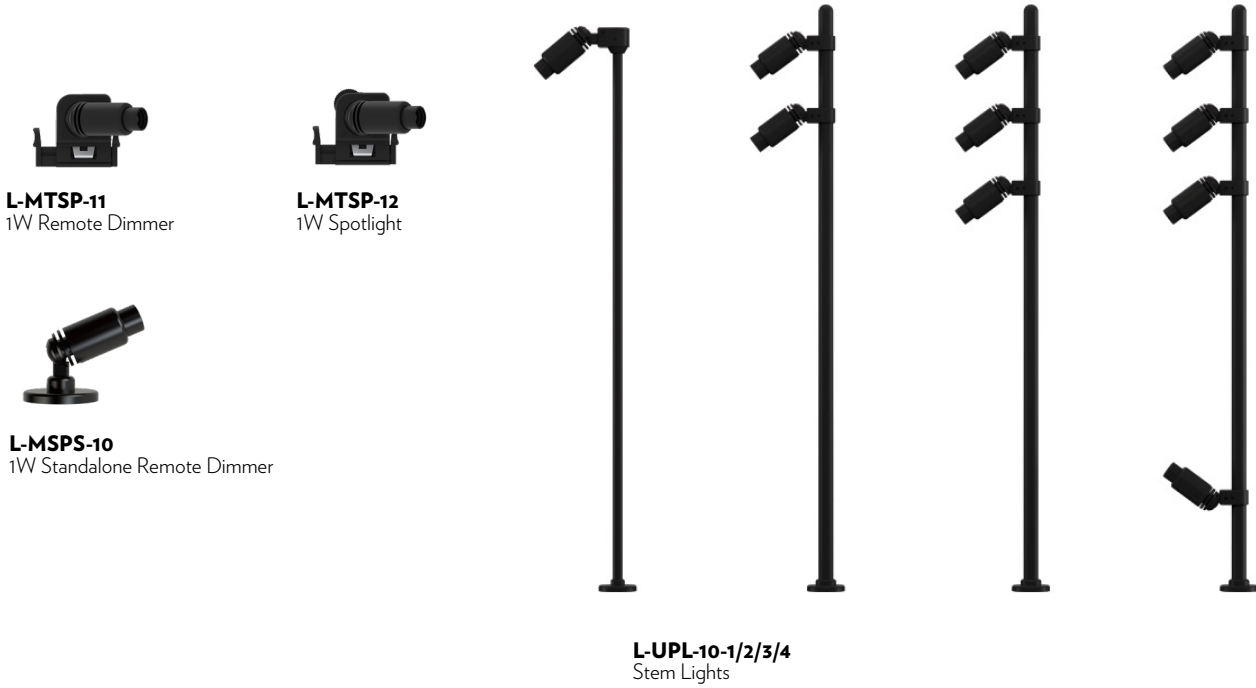
PHOTOMETRICS



**DRIVERS**

Driver	Watts/Driver	80% Capacity	# Fixtures/Driver*	Current
LPV-100-12	100W	80W	57 Fixtures	CV
LPV-60-12	60W	48W	28 Fixtures	CV
LPV-35-12	35W	28W	20 Fixtures	CV
NPF-90-12	90W	72W	42 Fixtures	CV & CC
NPF-40-12	40W	32W	22 Fixtures	CV & CC

**VARIATIONS**



Please check product cut sheets for details - driver indications vary per product.