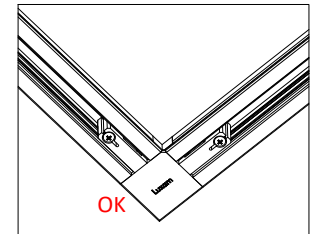
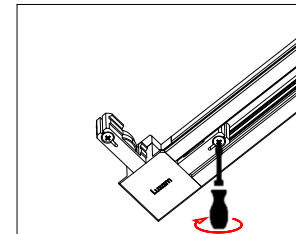
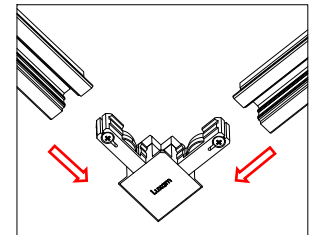
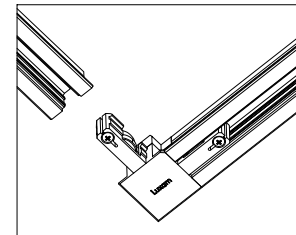
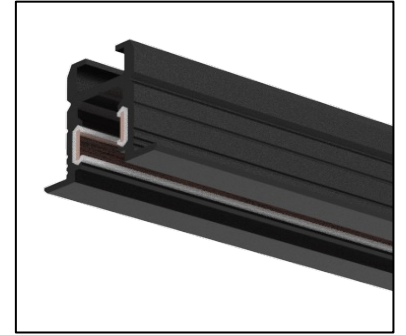
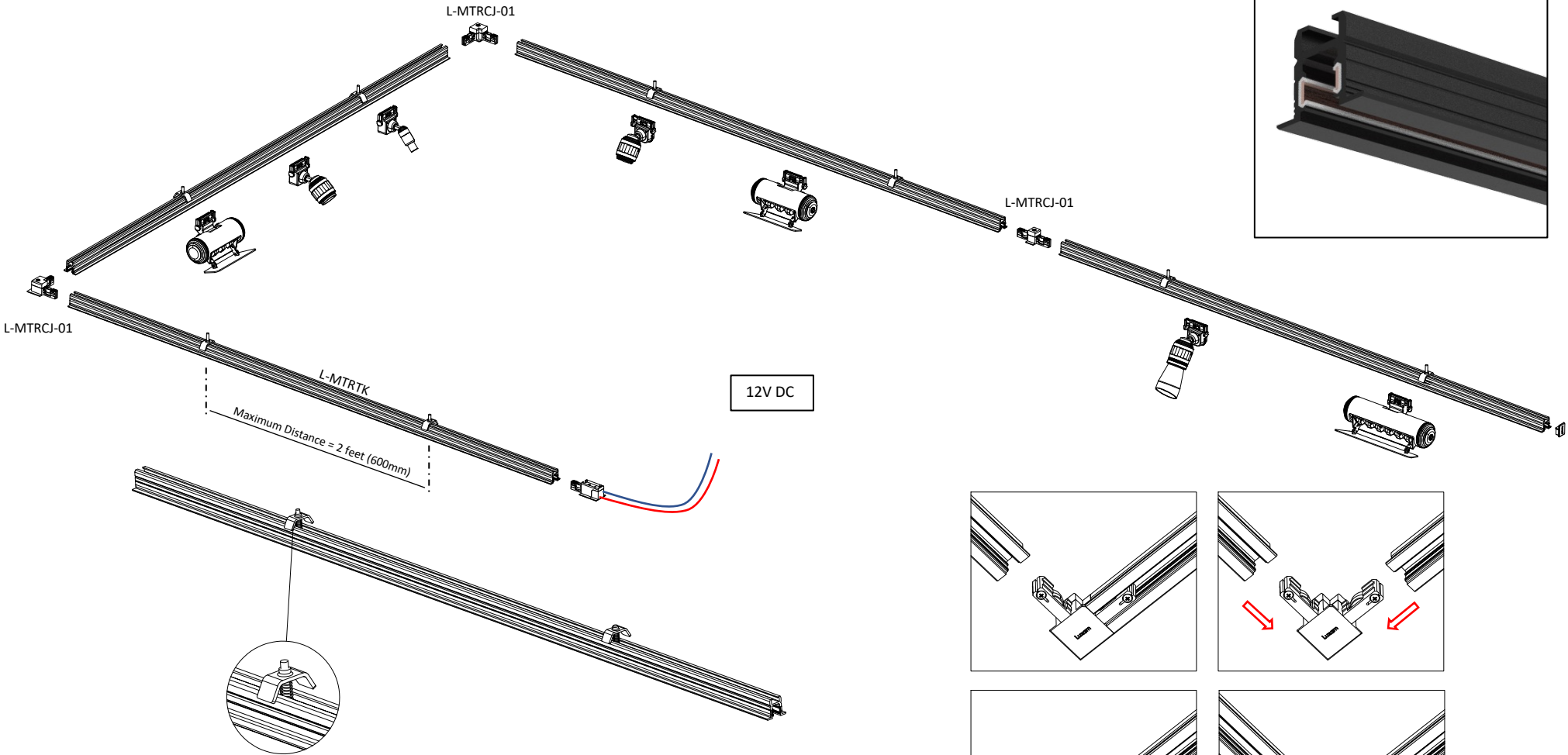
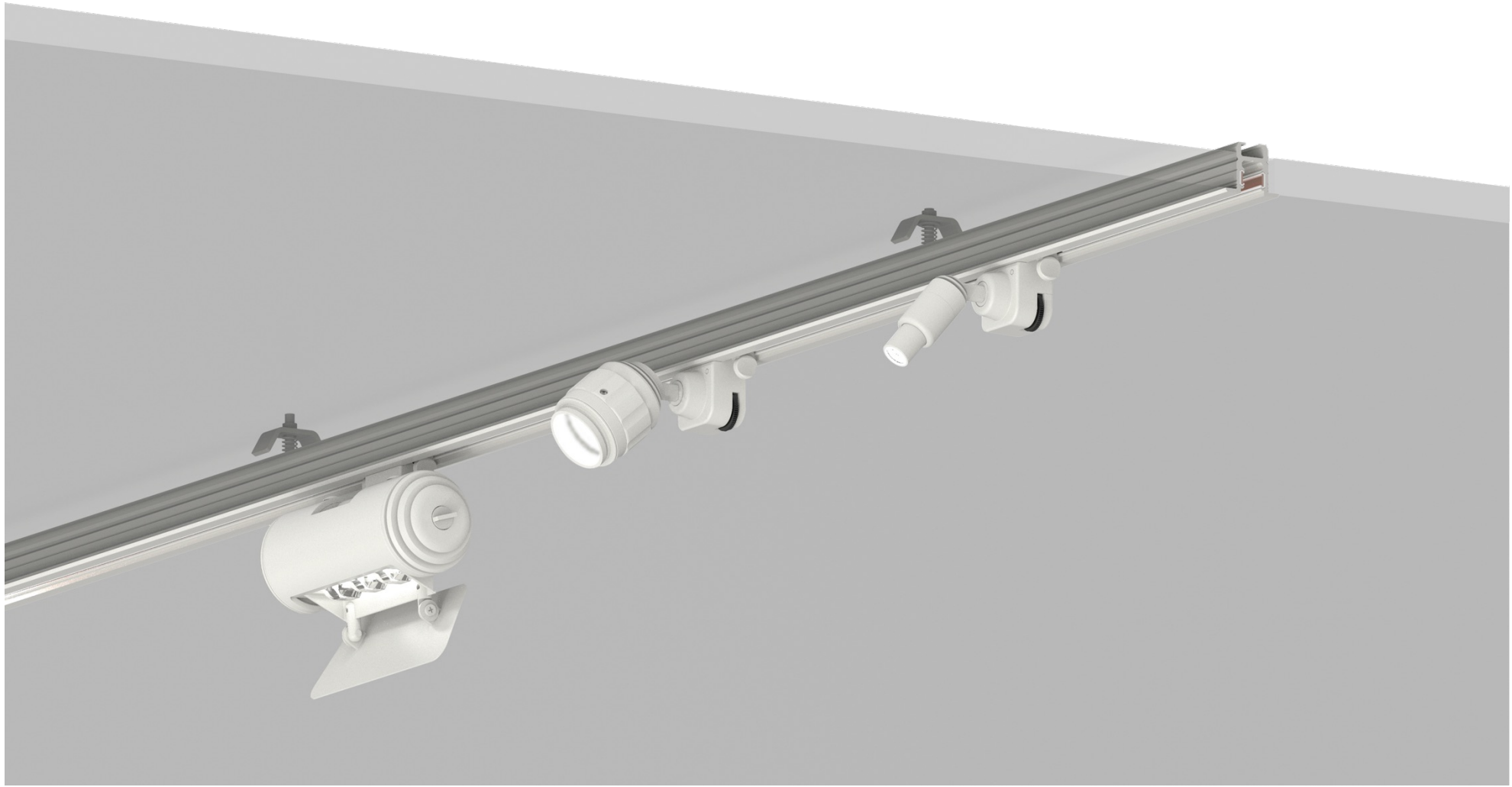


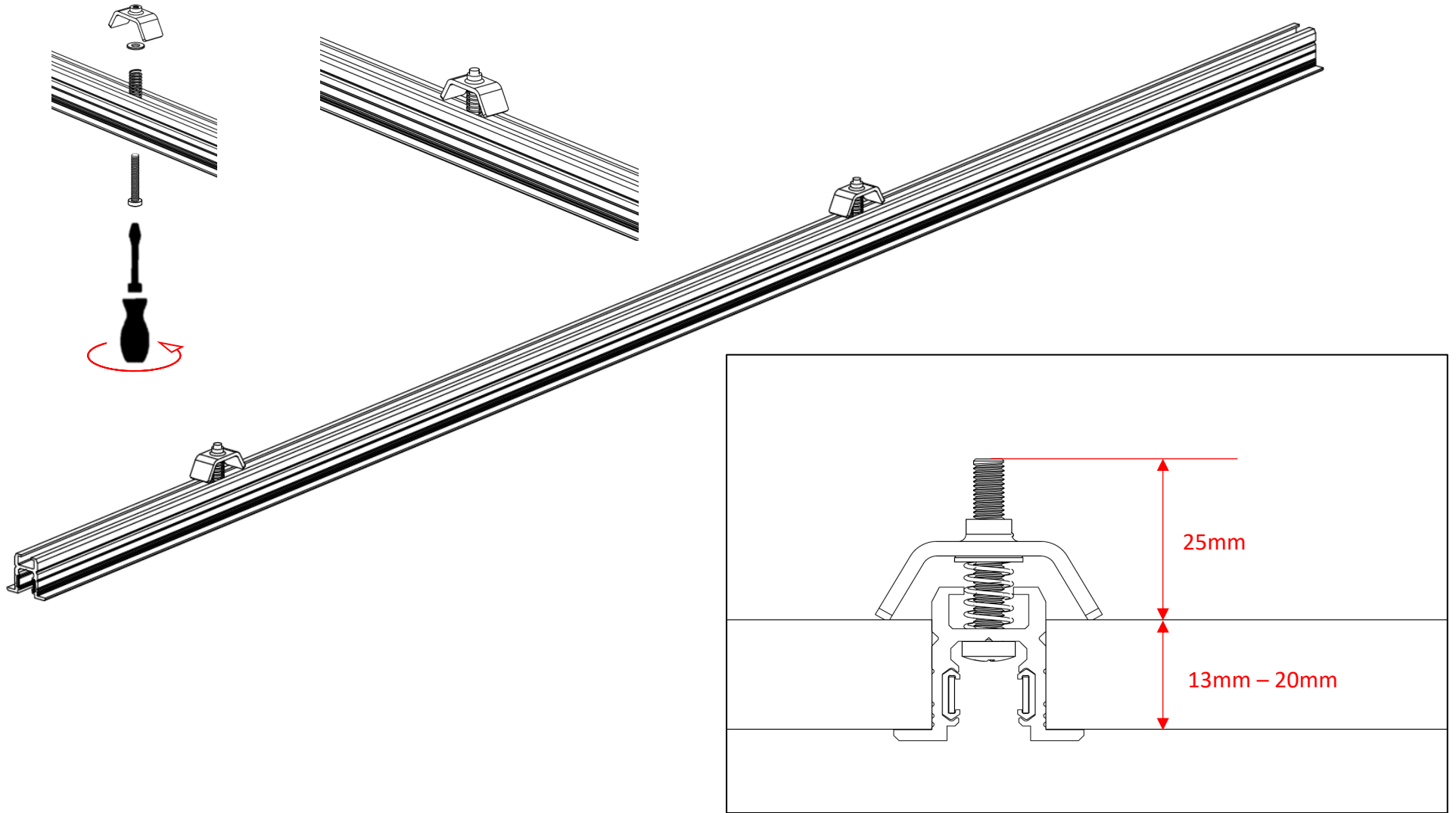
# INSTRUCTION MANUAL

## L-MTRTK MicroTrack and Connectors

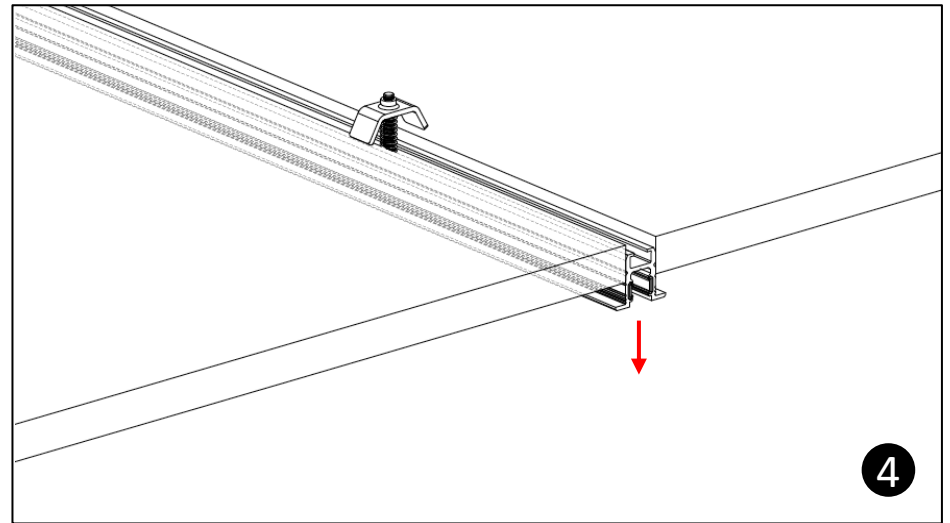
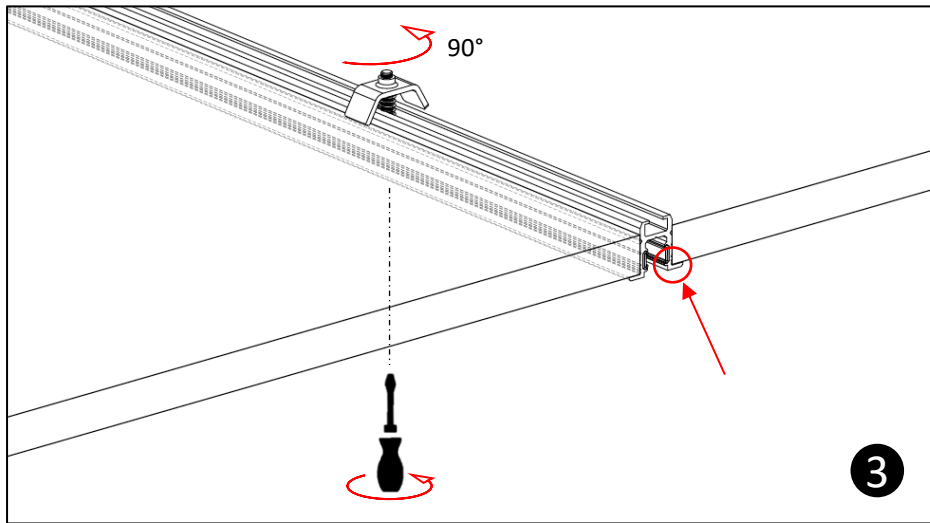
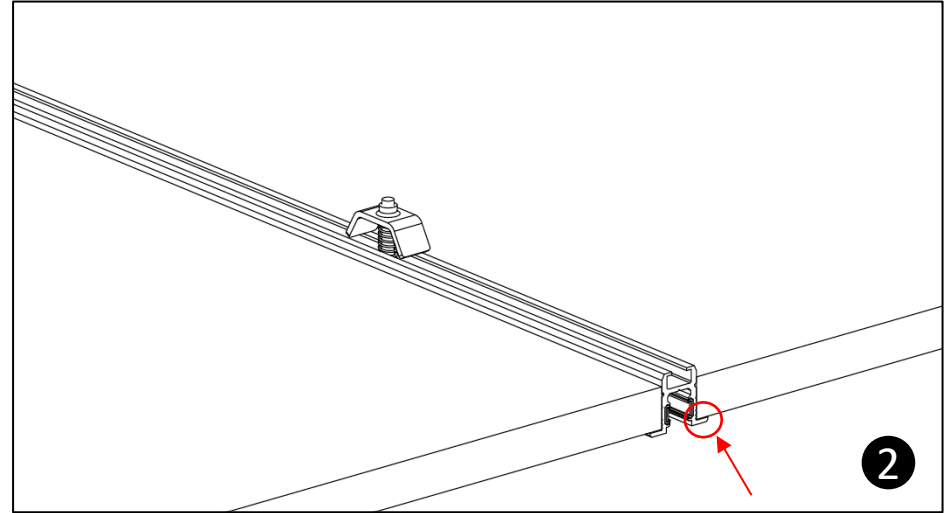
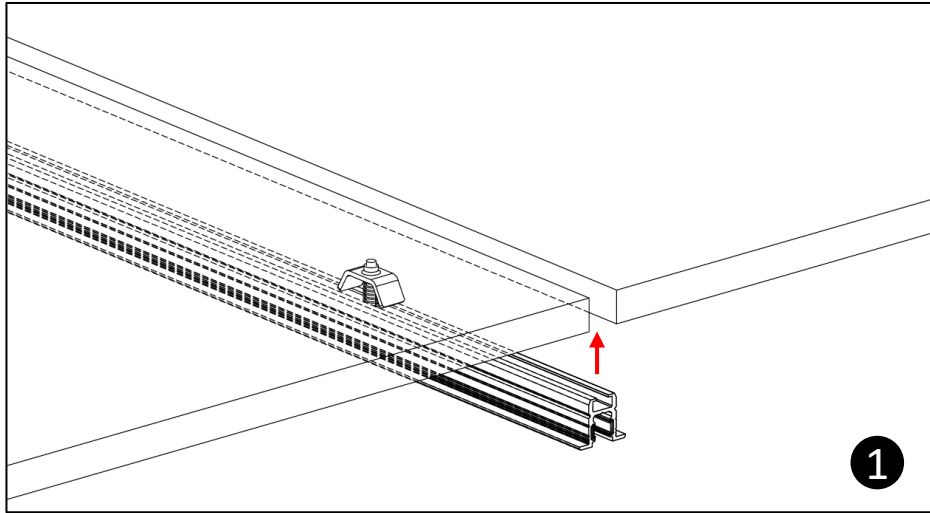


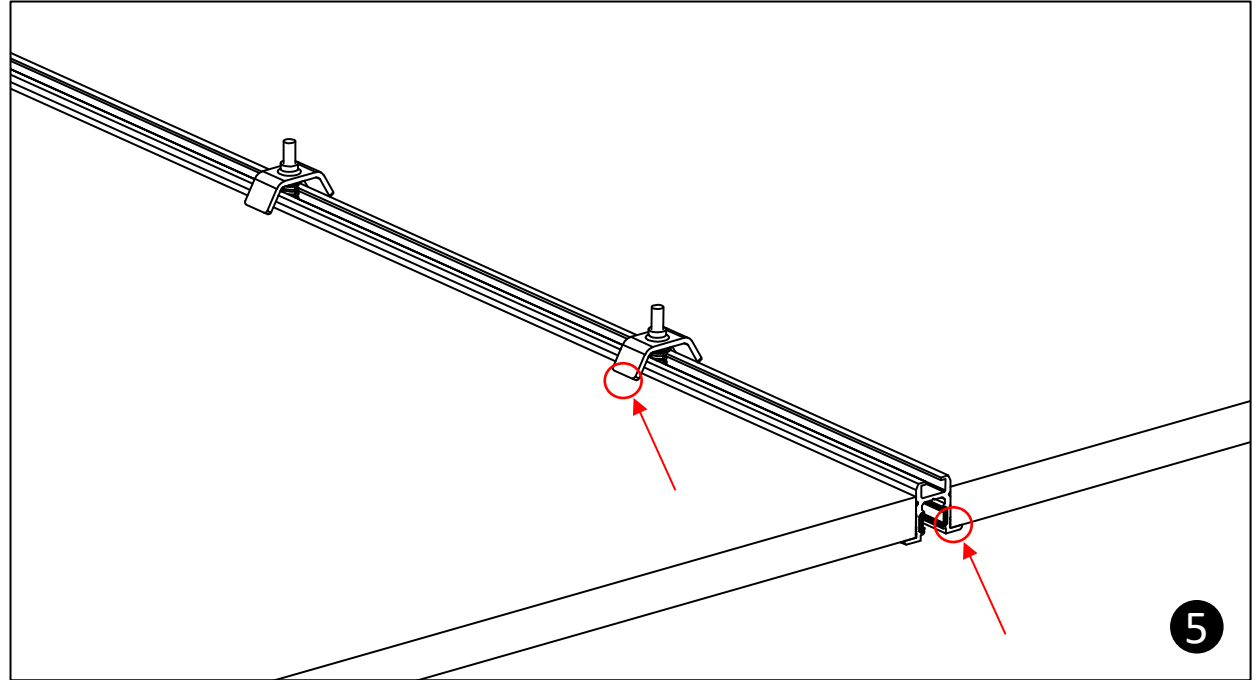
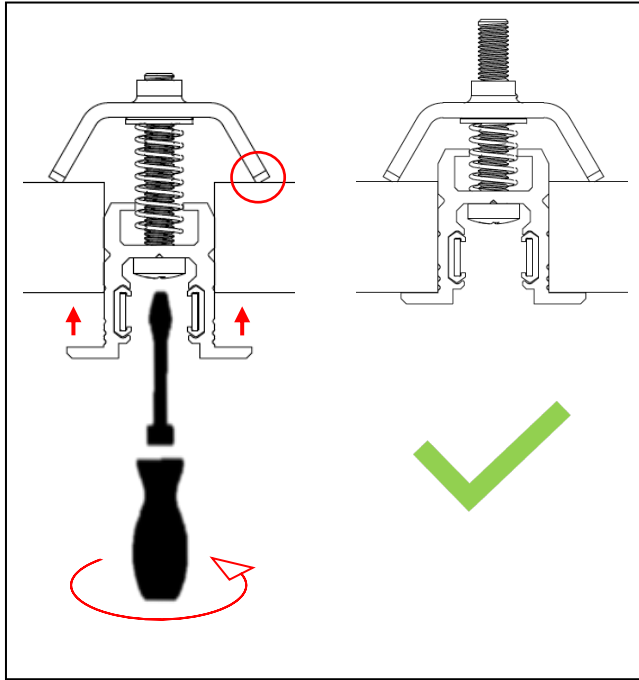


# INSTRUCTION MANUAL



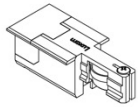
# INSTRUCTION MANUAL



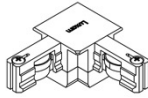


# INSTRUCTION MANUAL

## L-MTHTK MicroTrack and Connectors



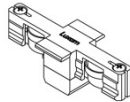
L-MRTEC-01



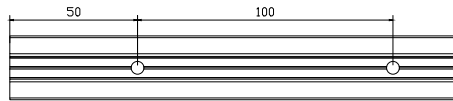
L-MTRCJ-01



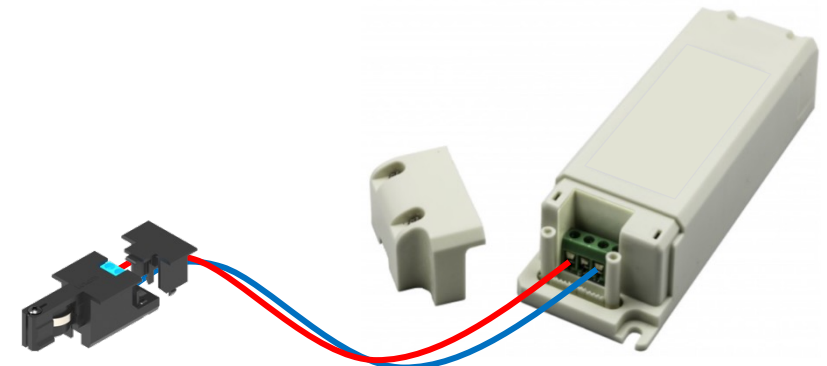
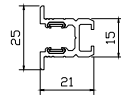
L-MTCP-01



L-MTRSJ-01



L-MTRTK



12VDC – no polarity required

### IMPORTANT SAFETY INSTRUCTIONS

When installing or using this track system, basic safety precautions should always be followed, including the following:

- 1) Read all instructions.
- 2) For use with Micro Track L-MTHTK only.
- 3) Do not install this track in damp or wet locations.
- 4) Do not cut any track sections.
- 5) Do not install any part of a track system less than 5 feet above the floor.
- 6) Do not install any luminaire assembly closer than 6 inches from any curtain, or similar combustible material.
- 7) Disconnect electrical power before adding to or changing the configuration of the track.
- 8) Do not attempt to energize anything other than lighting track luminaires on the track. To reduce the risk of fire and electric shock, do not attempt to connect power tools, extension cords, appliances, and the like to the track.

SAVE THESE INSTRUCTIONS

**IMPORTANT :** Always use with UL power unit, 12VDC, with isolated output, 10A maximum.

### Instructions for power supply installation

- 1) Before commencing any installation or maintenance work, please disconnect the power supply from the utility. Ensure that it cannot be re-connected inadvertently!
- 2) Keep proper ventilation around the unit and do not stack any object on it. Also a 10-15 cm clearance must be kept when the adjacent device is a heat source.
- 3) Mounting orientations other than standard orientation or operate under high ambient temperature may increase the internal component temperature and will require a de-rating in output current. Please refer to the specification sheet to receive the optimum mounting position and information about the de-rating curve.
- 4) Current rating of an approved primary /secondary cable should be greater than or equal to that of the unit. Please refer to its specification.
- 5) For LED power supplies with waterproof connectors, verify that the linkage between the unit and the lighting fixture is tight so that water cannot intrude into the system.