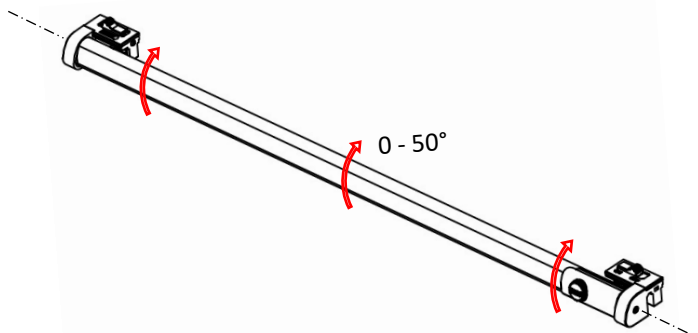
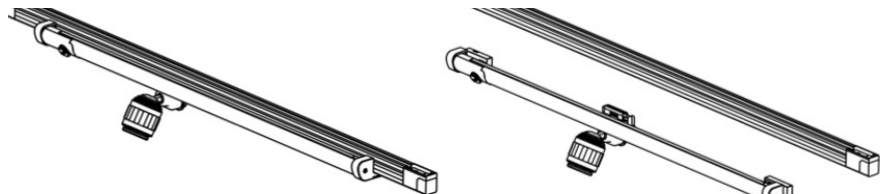
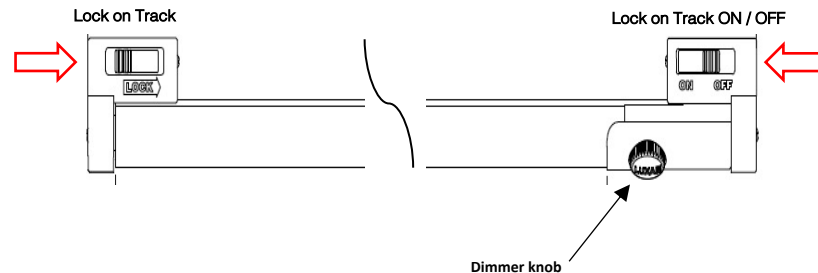


INSTRUCTION MANUAL

L-MTBA-01 LEDBAR



- Power input: 15W/meter
- Input voltage: 12V DC
- No polarity required
- Control: on-board dimmer
- CRI \geq 96
- CCT: 3000K, 4000K, 5000K
- Optic: removable cache and slot for filters
- Rotation angle: 0-50°
- Body: Aluminum alloy / PC
- Rating: IP30
- Dimensions: (450-900mm)x27mmx38mm



IMPORTANT : Always use with Luxam microtrack L-MTHTK or L-MTOTK and UL power unit 12VDC maximum, with isolated output.

IMPORTANT SAFETY INSTRUCTIONS

When installing or using this track system, basic safety precautions should always be followed, including the following:

- 1) Read all instructions.
- 2) Do not install this track in damp or wet locations.
- 3) Do not cut any track sections.
- 4) Do not install any part of a track system less than 5 feet above the floor.
- 5) Do not install any luminaire assembly closer than 6 inches from any curtain, or similar combustible material.
- 6) Disconnect electrical power before adding to or changing the configuration of the track.
- 7) Do not attempt to energize anything other than lighting track luminaires on the track. To reduce the risk of fire and electric shock, do not attempt to connect power tools, extension cords, appliances, and the like to the track.

SAVE THESE INSTRUCTIONS

