



LUXAM MUSEUM LIGHTING

L-MTSP-02 | 3W SPOTLIGHT

FEATURES:

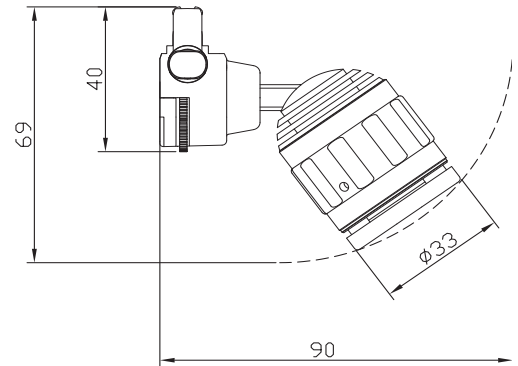
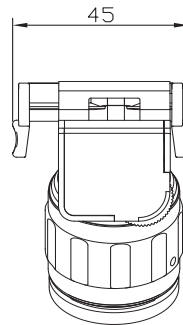
- ✓ Fully compatible with all MicroTrack systems
- ✓ Fully Dimmable and Focusable
- ✓ Full range of accessories including Barndoors, Snoots, Filter frames & more
- ✓ Standalone version with Magnetic & Screw base available

Item Code:
L-MTSA-12

TYPE:

PROJECT:

DATE:



TECHNICAL DATA

DWG files available upon request

Voltage/wattage	12v/3.8w	Main materials	Aluminum
Input Current	350m A	Color finished	Black, White and Silver
Beam angles	Zoomable 10° to 60°	Working temperature	-10° to 40°C
Luminous Flux & Lumens	270lm @RA97 / 120 LM	Storage temperature	-20° to 80°C
Color temperature	3000K, 4000K, 5000K	Lifespan	50000 hours
Adapter	Track, 2 Wire optional	Certificates	UL, CE
Dimmable options	PWM, range 0-100%	Warranty	5 years
CRI	97	Protection	IP30
Weight	93g		



For more information visit
LUXAM.COM

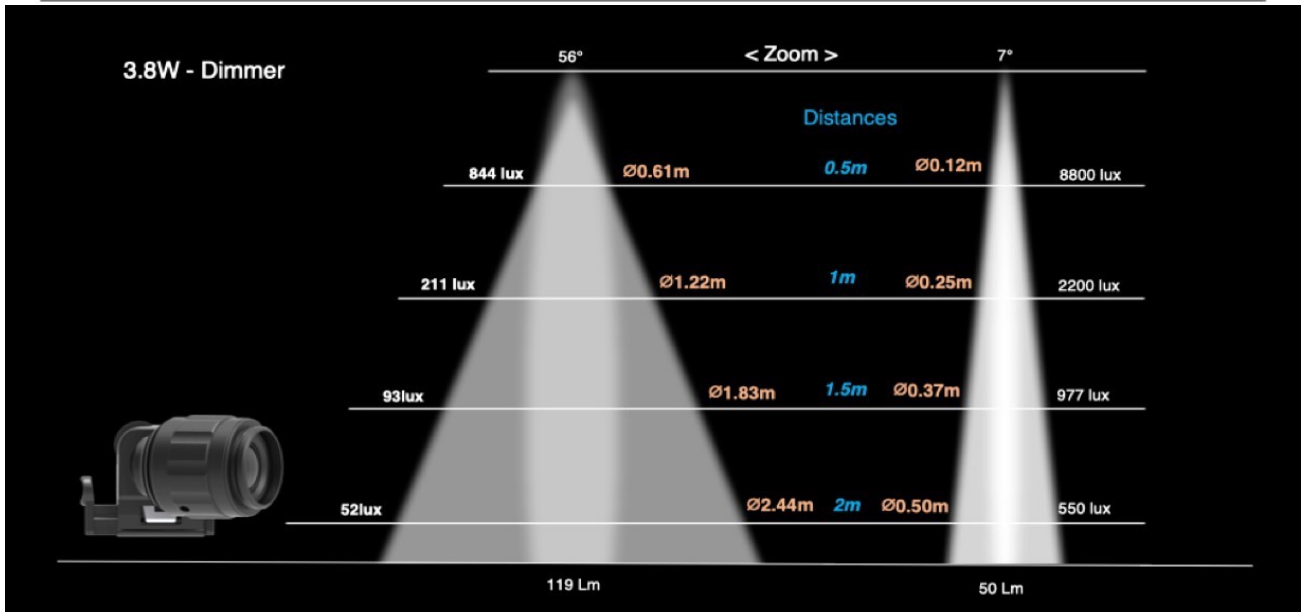
12201 NW 35 Ste 534
Coral Springs, FL 33065

954 755 72 54
info@luxam.com



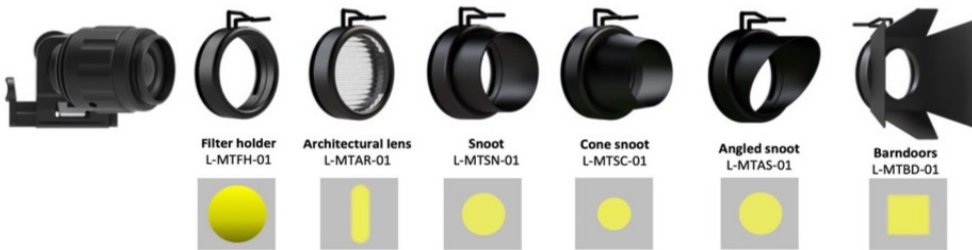
LUXAM MUSEUM LIGHTING

L-MTSP-02 | 3W SPOTLIGHT



3W Accessories

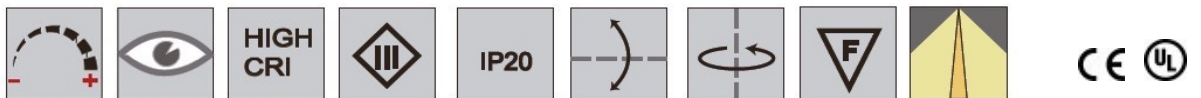
On the Track



Luxams 3W MicroTrack Spotlight is fully compatible with all MicroTrack systems.

Full range of Luxams microspot accessories as well as Luminix filter range for beam shaping is available. Our mono version, a standalone micro fixture can utilize a magnetic base for easy removal or screw bases are available.

Installation: Each Spotlight and Lightbar are easily clipped on and off the track enabling to change positions easily.



For more information visit
LUXAM.COM

12201 NW 35 Ste 534
Coral Springs, FL 33065

954 755 72 54
info@luxam.com