



LUXAM MUSEUM LIGHTING

L-MTSA-12-B STANDALONE 1.2W HEAD

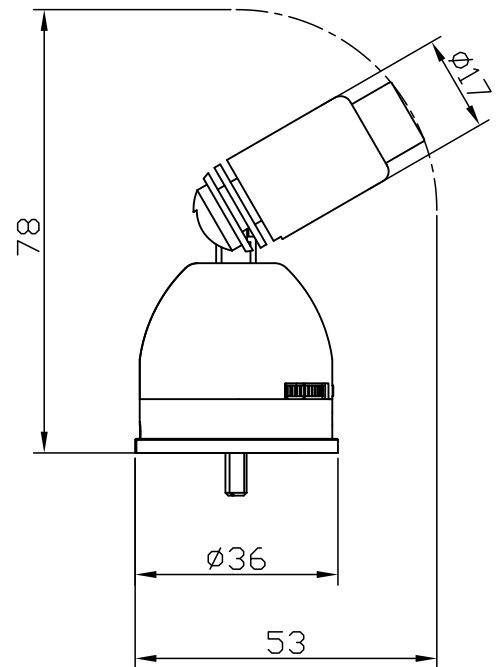
FEATURES:

- ✓ Our micro track head in a stand-alone configuration Dual base magnetic and screw in base w/detent.
- ✓ Accepts all MT accessories (*barndoor, snoots, angled, snoots*) and filter options 3k and 4k standard, anything else please **contact us**
- ✓ Balanced standard, custom (2.7,3.5 5k) available
- ✓ Version A - on board dimming (L-MTSA-02-Mono)
- ✓ Version B.-remote dimming via 0-10V (L-MTSA-02-Mono - Remote)

TYPE:

PROJECT:

DATE:



TECHNICAL DATA

Voltage & Wattage DC 12V / 1.2W

Tilt angle 90°

Lumens 53 LM

Pan angle 355°

Input Current 340m A

Lens Glass BK7

Dimmer PWM 0-100%

Beam angles 7° to 60°

CRI 96

Color 3k and 4k standard custom available

Standard UL