



LUXAM MUSEUM LIGHTING

L-MTSA-02-B STANDALONE 3.8W HEAD
ON - BOARD DIMMING

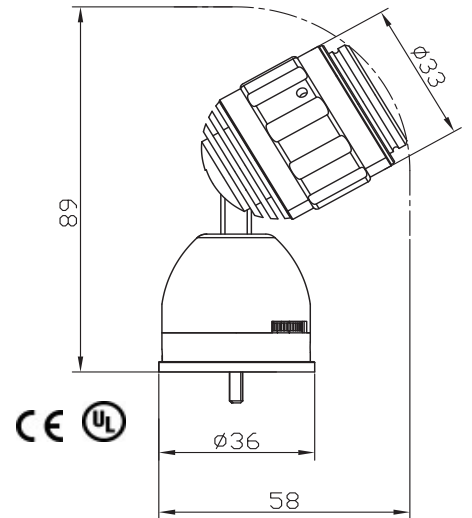
FEATURES:

- ✓ Our micro track head in a stand-alone configuration dual base magnetic and screw in base w/detent.
- ✓ Accepts all MicroTrack accessories (*barndoor, snoots, angled, snoots*) and filter options 3k and 4k standard, anything else please **contact us**
- ✓ Balanced standard, custom (2,7,3,5 5k) available
- ✓ L-MTSA-02 with Onboard Dimmer
(Fixture with Remote Dimmer: Item L-MSPS-00)

TYPE:

PROJECT:

DATE:



DWG files available upon request

TECHNICAL DATA

Voltage & Wattage	DC 12V / 3.8W	Tilt angle	90°
Lumens	120 LM	Pan angle	355°
Input Current	340m A	Lens	Glass BK7
Dimmer	PWM 0-100%	Beam angles	7° to 60°
CRI	96	Light Color	3k and 4k standard custom available
Standard	UL	Fixture Color	Black, White or Silver