



LUXAM MUSEUM LIGHTING

L-MTSA-12-B STANDALONE 1.2W HEAD

FEATURES:

- ✓ Our micro track head in a stand-alone configuration Dual base magnetic and screw in base w/detent.
- ✓ Accepts all MT accessories (*barndoor, snoots, angled, snoots*) and filter options 3k and 4k standard, anything else please **contact us**
- ✓ Balanced standard, custom (2,7,3,5 5k) available
- ✓ Version A - on board dimming (*L-MTSA-02-Mono*)
- ✓ Version B.-remote dimming via 0-10V (*L-MTSA-02-Mono - Remote*)

TYPE:

PROJECT:

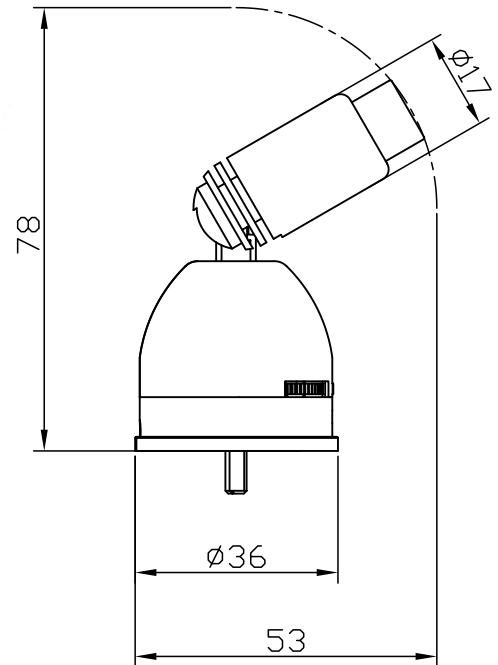
DATE:



Version B.-remote dimming via 0-10V (*L-MTSA-02-Mono - Remote*)



Version A - on board dimming (*L-MTSA-02-Mono*)



TECHNICAL DATA

Voltage	DC 12V	Tilt angle	90°
Power	3.8W	Pan angle	355°
Input Current	340m A	Lens	Glass BK7
Dimmer	PWM 0-100%	Beam angles	7° to 60°
CRI	96	Color	3k and 4k standard custom available
Standard	UL		



LUXAM MUSEUM LIGHTING

L-MTSA-12-B STANDALONE 1.2W HEAD

FEATURES:

- ✓ Our micro track head in a stand-alone configuration Dual base magnetic and screw in base w/detent.

- ✓ Accepts all MT accessories (*barndoor, snoots, angled, snoots*) and filter options 3k and 4k standard, anything else please **contact us**

- ✓ Balanced standard, custom (2.7,3.5 5k) available

- ✓ *L-MTSA-02 with Remote Dimming*

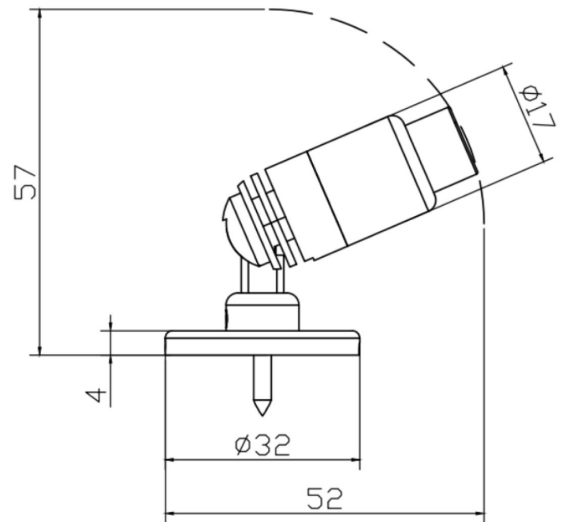
TYPE:

PROJECT:

DATE:



(L-MSPS-10 with remote dimmer)



TECHNICAL DATA

Voltage	DC 12V	Tilt angle	90°
Power	3.8W	Pan angle	355°
Input Current	340m A	Lens	Glass BK7
Dimmer	PWM 0-100% REMOTE DIMMING	Beam angles	7° to 60°
CRI	96	Light Color	3k and 4k standard custom available
Standard	UL		