



LUXAM MUSEUM LIGHTING

FIBER OPTIC MINI

FEATURES:

- ✓ For larger cases and exhibits, maximum spread & throw
- ✓ Fully adjustable pan, tilt, spot, and flood
- ✓ Interchangeable 20mm lens - focus x2, and frost
- ✓ Compatible with all Luxam 10, 16 and 20m support systems
- ✓ Accepts barndoors, filter frame, and all 20mm control accessories
- ✓ Available framing shutters and gobo projector modules
- ✓ For all 3,4, and 5mm fiber tails with ferrule contact

TYPE:

PROJECT:

SPECIFIER:

DATE:

MINI FIXTURES for Ø3,4,5 optic cable

With fixation support



- Mini fixture 18°/43°, Ø.87"(22mm), adjustable, surface mount, 1"(2.5cm) rod
- Mini fixture 18°/43°, Ø.87" (22mm), adjustable, surface mount, 2"(5cm) rod
- Mini fixture 18°/43°, Ø.87" (22mm), adjustable, surface mount, 4"(10cm) rod
- Mini fixture 18°/43°, Ø.87" (22mm), adjustable, surface mount, 8"(20cm) rod

- 60-304-25
- 60-304-50
- 60-304-100
- 60-304-200



- Mini fixture 18°/43°, Ø.87"(22mm), adjustable, through panel mount, 1"(2.5cm) rod
- Mini fixture 18°/43°, Ø.87"(22mm), adjustable, through panel mount, 2"(5cm) rod
- Mini fixture 18°/43°, Ø.87"(22mm), adjustable, through panel mount, 4"(10cm) rod
- Mini fixture 18°/43°, Ø.87"(22mm), adjustable, through panel mount, 8"(20cm) rod

- 60-305-25
- 60-305-50
- 60-305-100
- 60-305-200



- Mini fixture 18°/43°, Ø.87"(22mm), adjustable, staple mount on Ø.4"(10mm) tube, 1"(2.5cm) rod
- Mini fixture 18°/43°, Ø.87"(22mm), adjustable, staple mount on Ø.4"(10mm) tube, 2"(5cm) rod
- Mini fixture 18°/43°, Ø.87"(22mm), adjustable, staple mount on Ø.4"(10mm) tube, 4"(10cm) rod
- Mini fixture 18°/43°, Ø.87"(22mm), adjustable, staple mount on Ø.4"(10mm) tube, 8"(20cm) rod

- 60-306-25
- 60-306-50
- 60-306-100
- 60-306-200

COMPACTS



Mini-compact fixture, with Ø.87"(22mm), 18°/43°optic, staple base for Ø.4"(10mm) tube.

50-200

MINI-PROJECTORS for optic cable Ø3,4,5

Framing projectors



4 blade framing shutter for Ø.87"(22mm) mini optics

62-500



Film/gobo projector for Ø.87"(22mm) mini optics.

62-600



Additional film/gobo holder .94"(24mm)/ 1.42"(36mm)



62-601



90° reflection mirror for film/gobo projector.



62-401

MINI FIXTURES for Ø3,4,5 optic cable

Semi-recessed without optic



Adjustable mini-sphere without optic, for Ø3,4,5 optic cable, front fixation by 2 screws.

50-117



Adjustable mini-sphere without optic, for optic, Ø3,4,5 cable, fixation by clamping on back angle.

50-116

SEMI-RECESSED WITH OPTIC



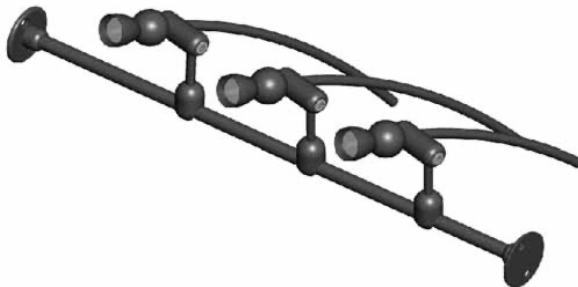
Adjustable mini-sphere, 18°/43° optic, Ø.87"(22mm) for Ø3,4,5 optic cable, front fixation by 2 screws.

50-108



Adjustable mini-sphere, 18°/43° optic, Ø.87"(22mm) for Ø3,4,5 optic cable, fixation by clamping on back flange.

50-107

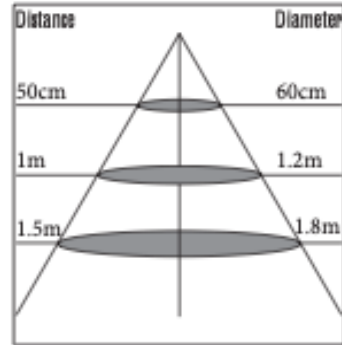




LUXAM MUSEUM LIGHTING

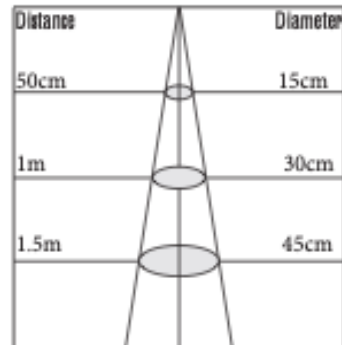
Fiber harness w/ferrule contact, no fixture

Distance	3 mm	4 mm	5mm	Diameter
50cm	158lx	340lx	544x	24°
1m	42lx	90lx	136lx	48°
1.5m	22lx	42lx	68lx	72°



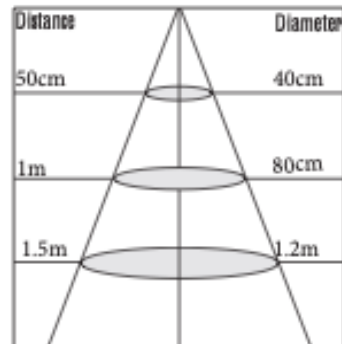
Fiber harness w/ferrule contact and Mini fixture 50-200 at Spot - 18°

Distance	3 mm	4 mm	5mm	Diameter
50cm	718lx	1435lx	2276lx	15cm
1m	167lx	360lx	575lx	30cm
1.5m	72lx	165lx	263lx	45cm



Fiber harness w/ferrule contact and Mini fixture 50-200 at Flood - 43°

Distance	3 mm	4 mm	5mm	Diameter
50cm	210lx	427lx	680lx	40cm
1m	58lx	97lx	175lx	80cm
1,5m	20lx	38lx	77lx	1.2m



All measurements taken with harness of 12x5mm, 12x4mm and 12x3mm with 1m tails connected to our 45 watt generator. With our 35watt generator, diminish by 20%

Active diameter	Outside diameter	Minimum turning radius	Maximum tails with A connector	Maximum tails with B connector	Optimal tails connector
3 mm	6 mm	15 mm	22	40	12
4 mm	7 mm	20 mm	11	25	6
5 mm	8 mm	25 mm	7	16	4