



LUXAM MUSEUM LIGHTING

L-MTSP-22 | 7.8W SPOTLIGHT

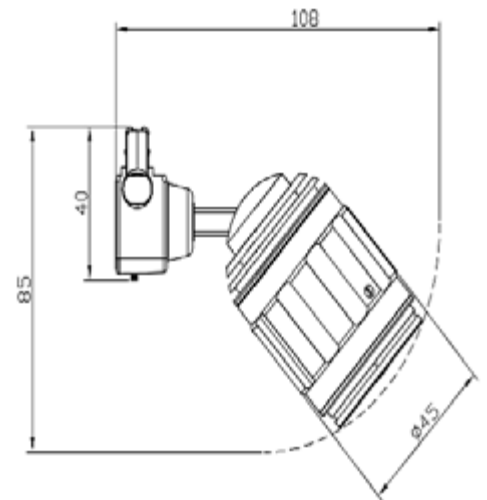
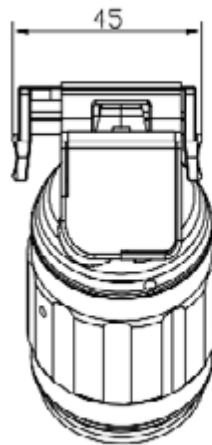
FEATURES:

- ✓ Fully compatible with all MicroTrack systems
- ✓ Fully Dimmable and Focusable
- ✓ Full range of accessories including Barndoors, Snoots, Filter frames
- ✓ Standalone version with Magnetic & Screw base available

TYPE:

PROJECT:

DATE:



TECHNICAL DATA

Voltage/wattage	11v - 24VDC / 7.8w	Main materials	Aluminum
Input Current	650mA - 330m A	Color finished	Black, White and Silver
Beam angles	Zoomable 8° to 55°	Working temperature	-10° to 40°C
Luminous flux	-270lm @RA97	Storage temperature	-20° to 80°C
Color temperature	3000K, 4000K, 5000K	Lifespan	50000 hours
Adapter	Track, 2 wire optional	Certificates	UL, CE
Dimmable options	Dimmer: PWM, range 0-100%	Warranty	5 years
CRI	>95	Protection	IP30

For more information visit

LUXAM.COM

12201 NW 35 Ste #534
Coral Springs, FL 33065

954 755 72 54
info@luxam.com