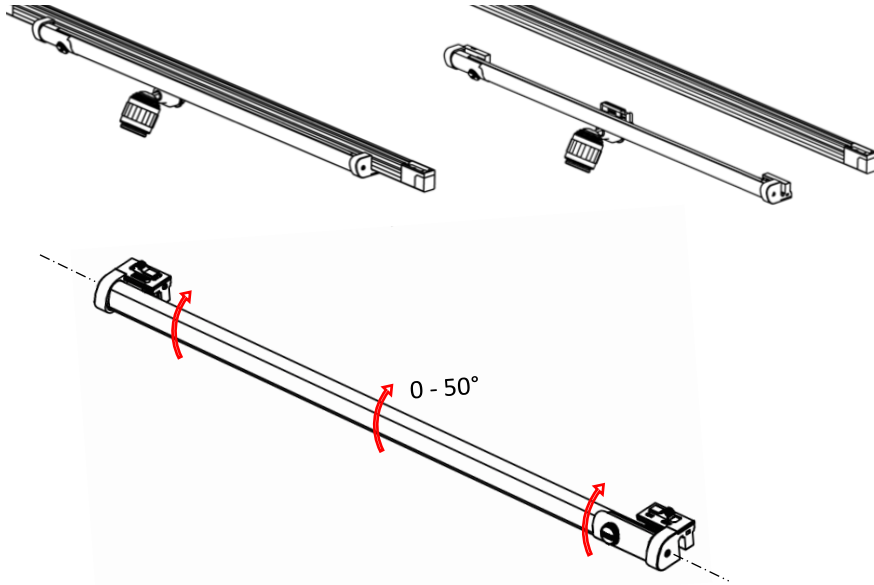
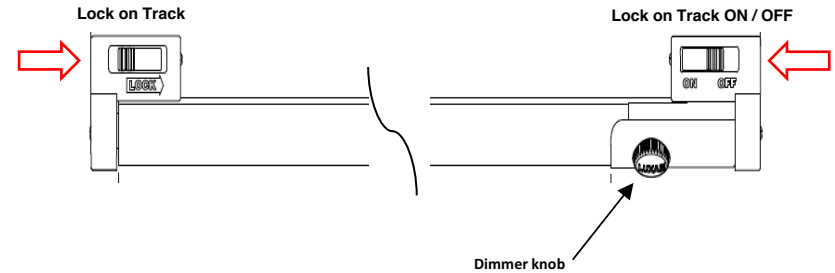


# INSTRUCTION MANUAL

## L-MTBA-01 LEDBAR



- Power input: 15W/meter
- Input voltage: 12V DC
- Control: on-board dimmer
- CRI  $\geq$  96
- CCT: 3000K, 4000K, 5000K
- Optic: removable cache and slot for filters
- Rotation angle: 0-50°
- Body: Aluminum alloy / PC
- Rating: IP30
- Dimensions: (450-900mm)x27mmx38mm



### IMPORTANT SAFETY INSTRUCTIONS

- Read all instructions.
- Do not conceal or extend exposed conductors through a building wall.
- Do not install this system in wet locations.
- To reduce the risk of fire and burns, do not install this lighting system where the exposed bare conductors can be shorted or contact any conductive materials.
- To reduce the risk of fire and overheating, make sure all connections are tight.
- Do not install any luminaire closer than 6 in (152 mm) from any curtain, or similar combustible materials.
- Turn off electrical power before modifying the lighting system in any way.

### SAVE THESE INSTRUCTIONS

For the safe handling, installation and operation of the L-MTBA-01 LEDBAR, a thorough review and understanding of the material written in this manual must be completed before starting the installation process. Failure to install the L-MTBA-01 LEDBAR per these instruction will void your warranty. There are no serviceable components in the L-MTBA-01 LEDBAR. Attempting to repair or alter the system in any way will also void your warranty. Always install the L-MTBA-01 LEDBAR according to all local, state, and national codes.