



LUXAM MUSEUM LIGHTING

L-MTSA-12-B/W Standalone Micro Track 1.2W Head



TYPE:

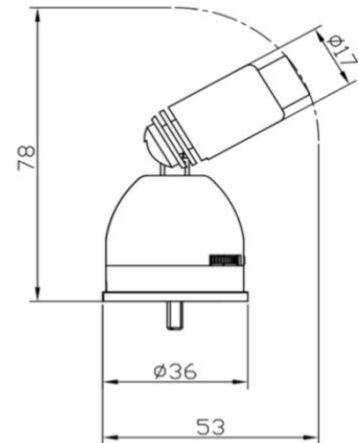
PROJECT:

DATE:

Technical Data

Voltage: DC 12V
Power: 1.2W
Input current: 340mA
Dimmer: PWM 0-100%
CRI : 96
Standard: UL

Tilt angle: 90°
Pan angle: 355°
Lens: Glass BK7
Beam angles: 7° to 60°
Color: 3K and 4K standard
custom available



Our Micro Track Head in a stand-alone configuration Dual base

Magnetic and screw-in base w/detent

Accepts all MT accessories (barndoor, snoots, angled snoots)

and filter options 3K and 4K color

Balanced standard, custom (2.7, 3.5, 5K) available

Version A – on board dimming (L-MTSA-12 – Mono)

Version B – remote dimming via 0-10V (L-MTSA-12 – Mono – Remote)