
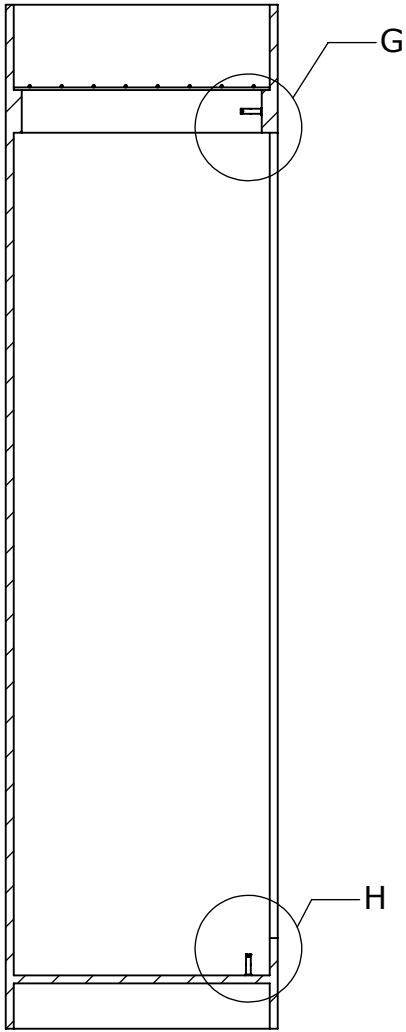
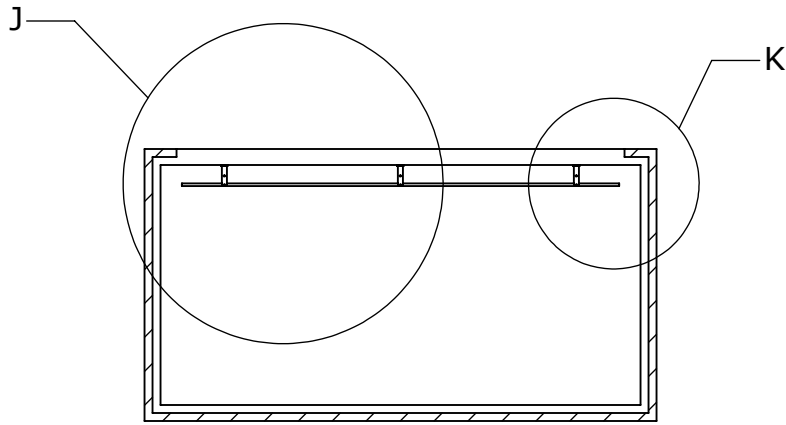


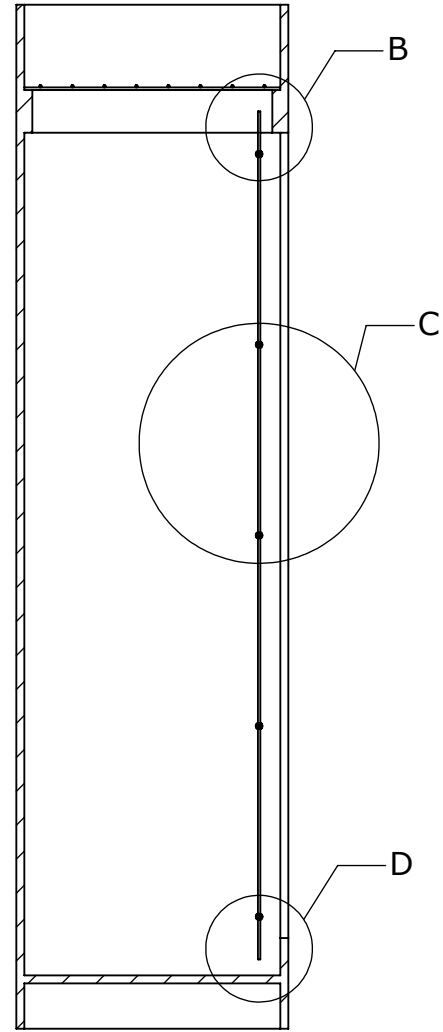
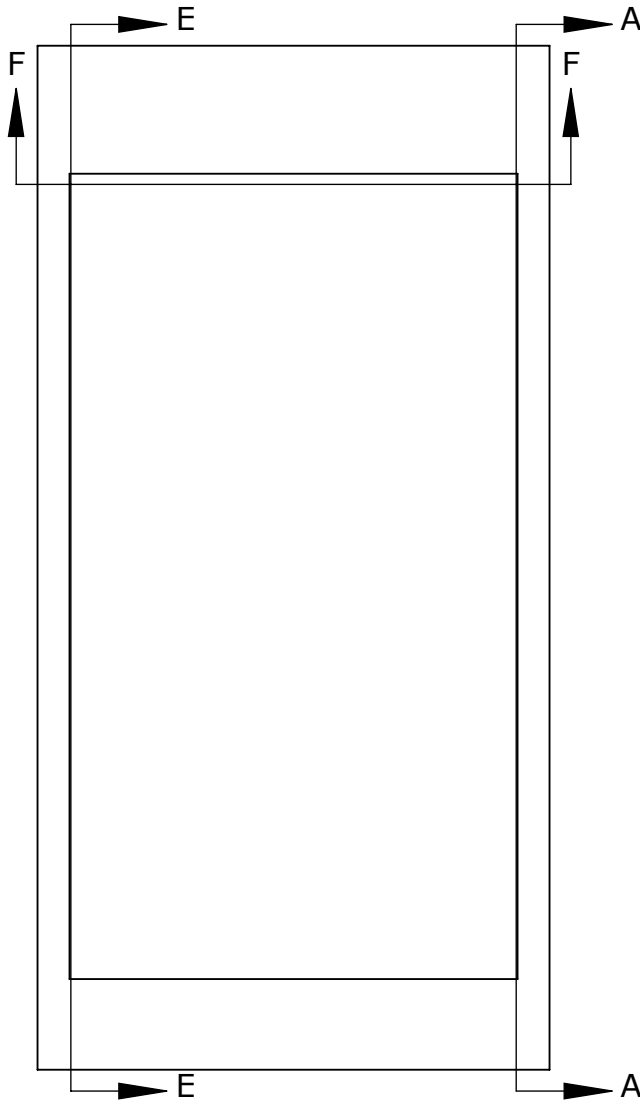
FIBER OPTIC INFRASTRUCTURE

	<p>LUXAM LIGHTING, LLC 954.755.7254 WWW.LUXAM.COM</p>	TITLE:	WALL CASE
		DWG. NO.	WALL CASE ASSEMBLY

SECTION F-F




SECTION E-E

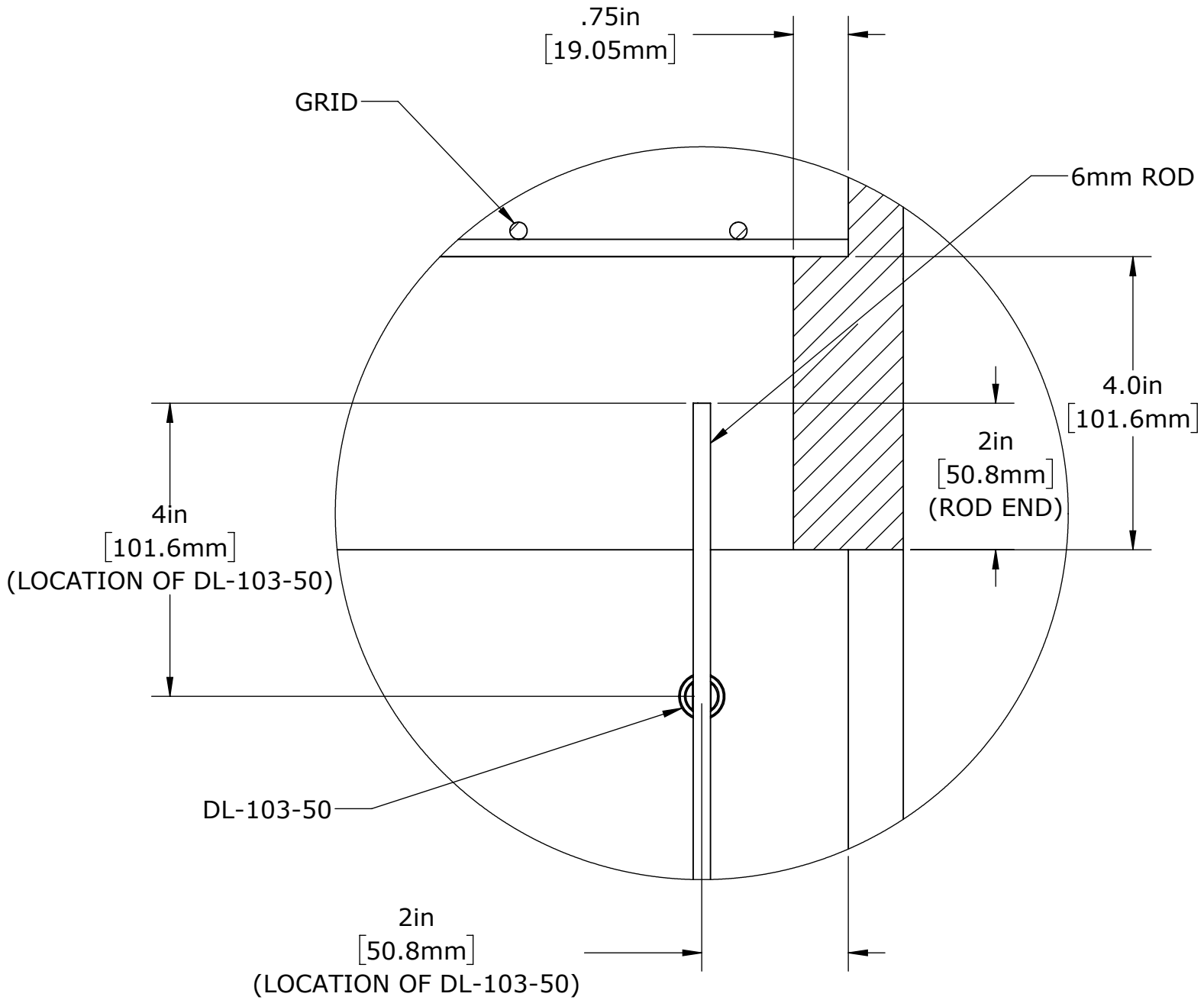



SECTION A-A

**FIBER OPTIC INFRASTRUCTURE
 DETAILS ON FOLLOWING PAGES
 COMPONENTS HIDDEN ON SOME VIEWS FOR CLARITY**

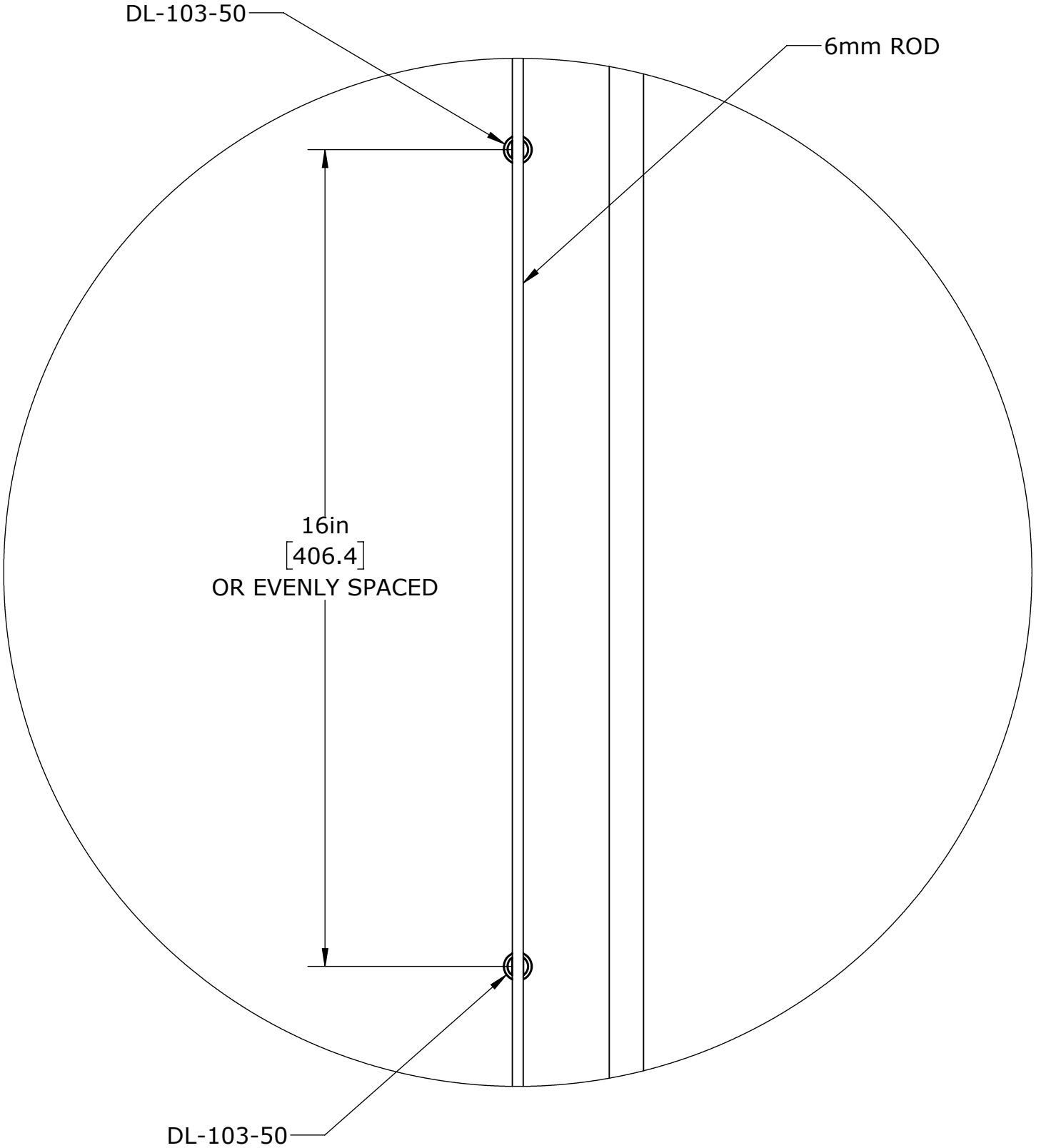
	LUXAM LIGHTING, LLC 954.755.7254 WWW.LUXAM.COM	TITLE:	WALL CASE
		DWG. NO.	WALL CASE ASSEMBLY


DETAIL B



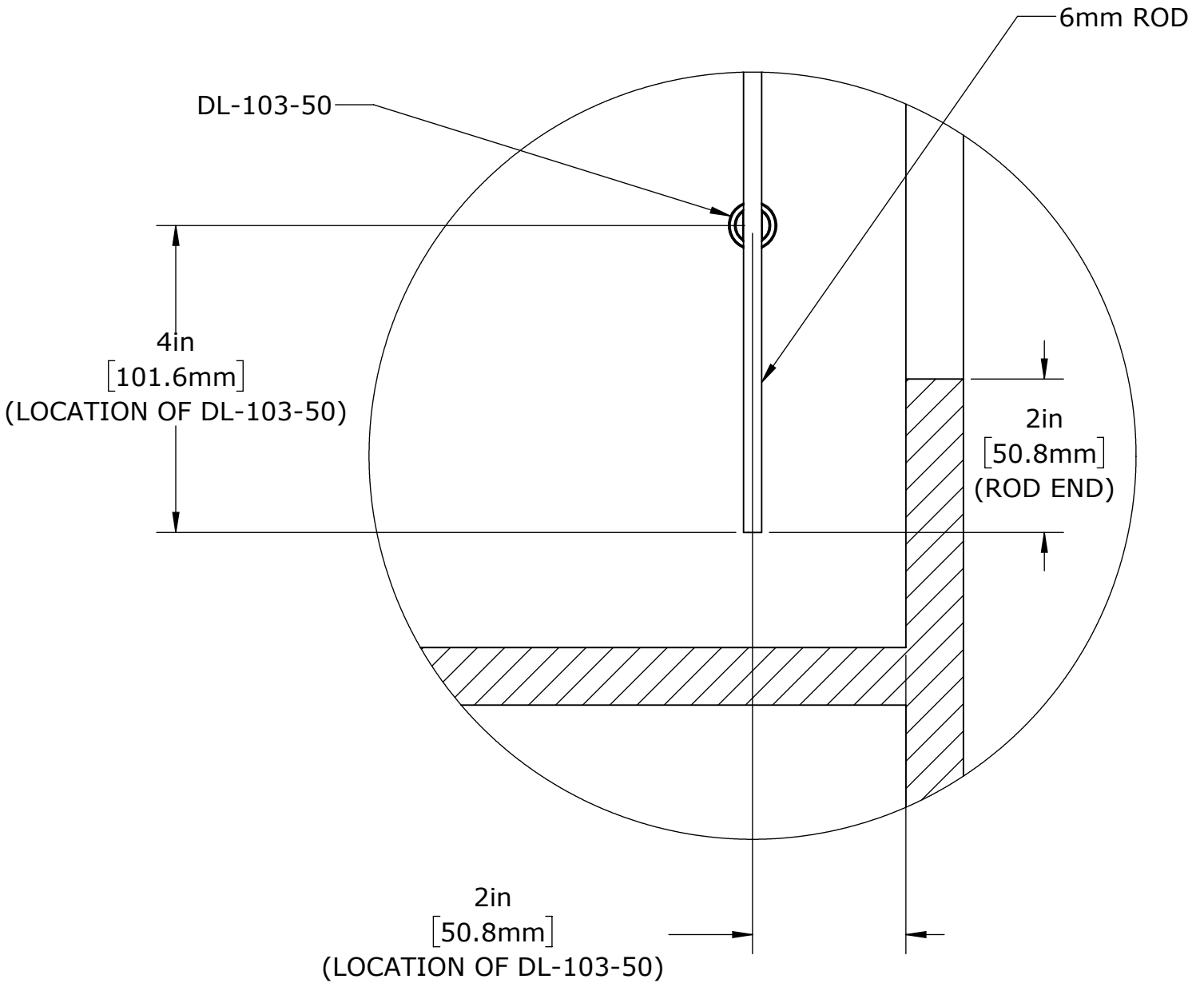
	<p>LUXAM LIGHTING, LLC 954.755.7254 WWW.LUXAM.COM</p>	TITLE:	WALL CASE
		DWG. NO.	WALL CASE ASSEMBLY


DETAIL C



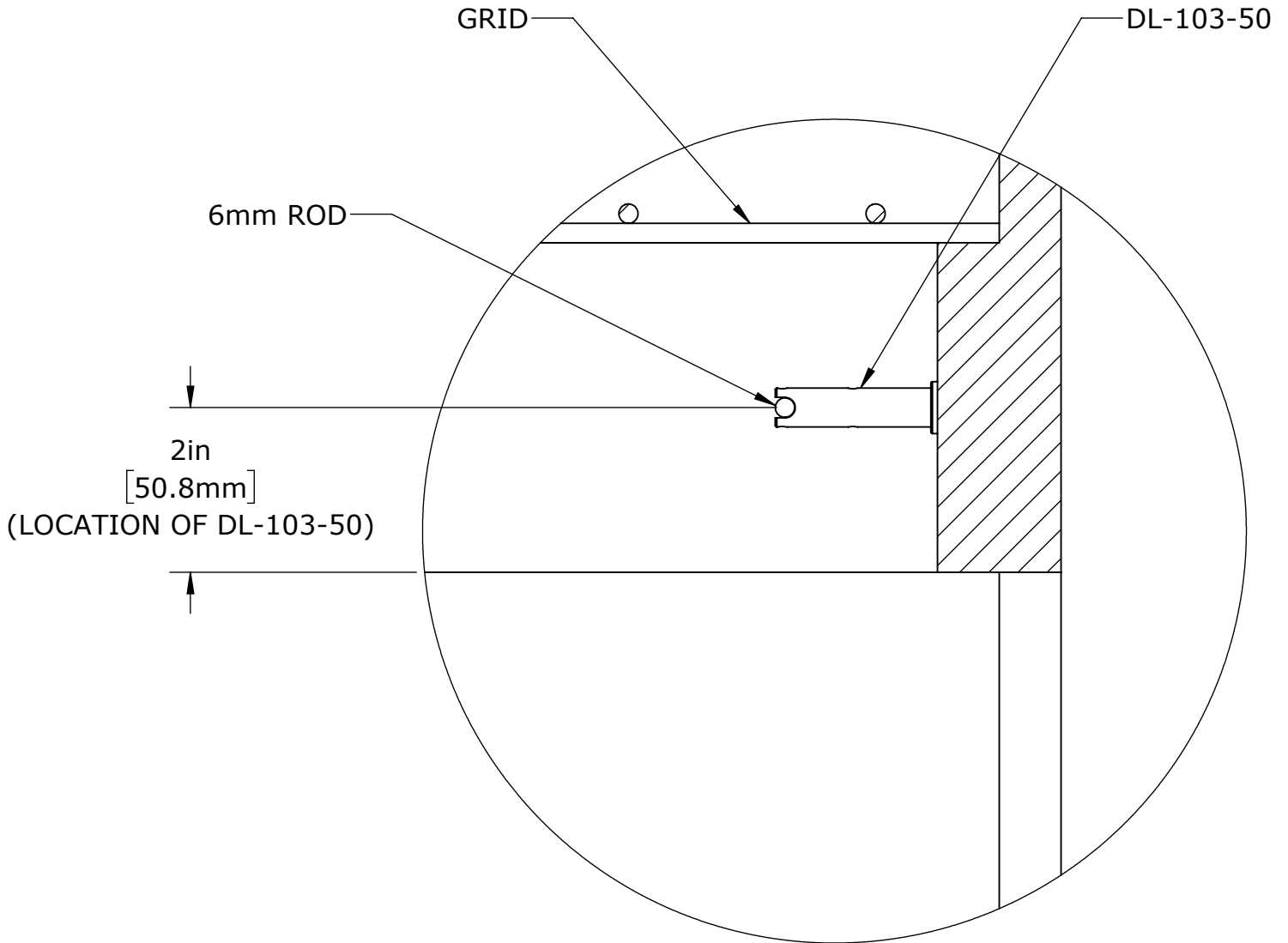
	LUXAM LIGHTING, LLC 954.755.7254 WWW.LUXAM.COM	TITLE:	WALL CASE
		DWG. NO.	WALL CASE ASSEMBLY


DETAIL D



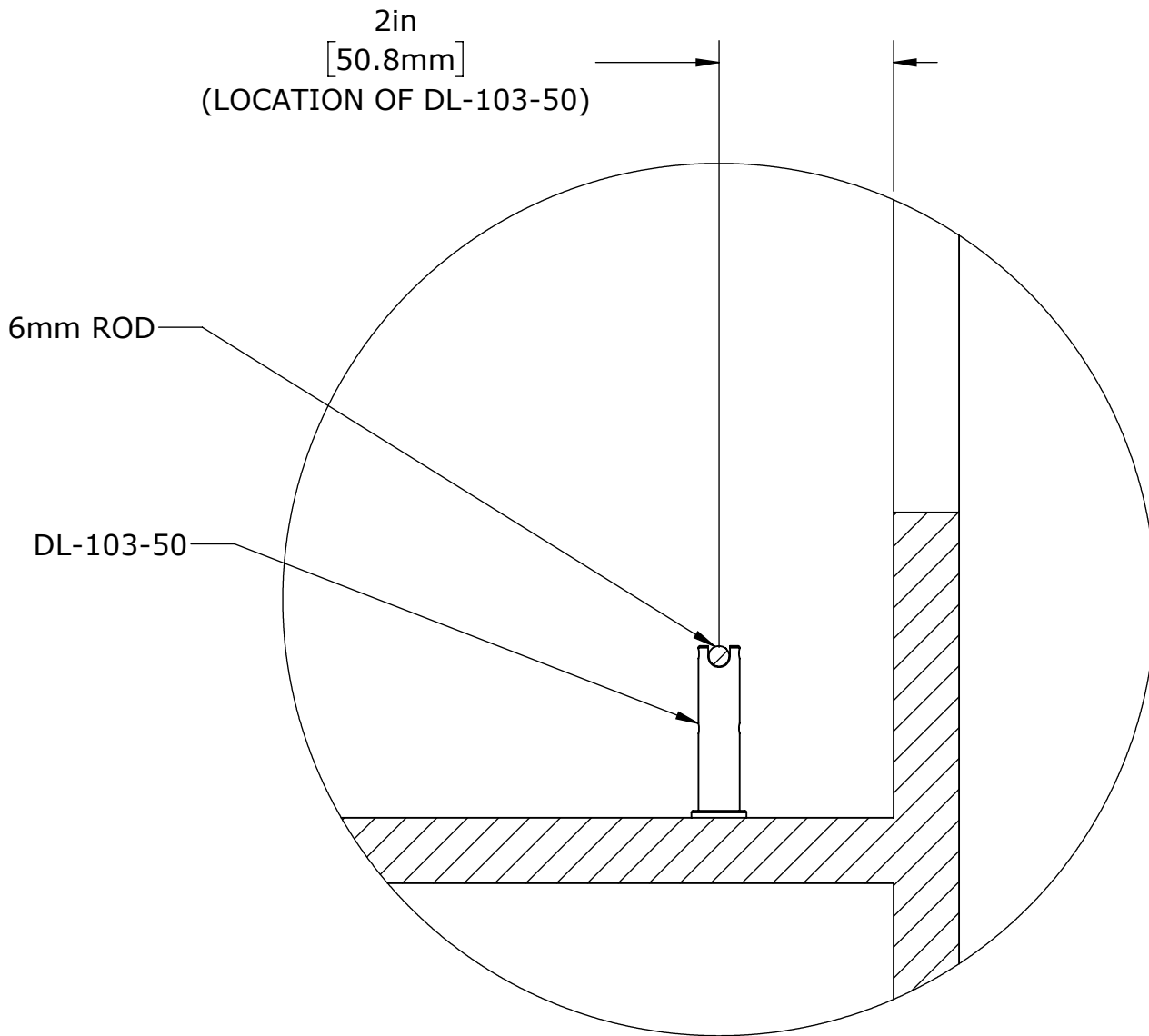
	LUXAM LIGHTING, LLC 954.755.7254 WWW.LUXAM.COM	TITLE:	WALL CASE
		DWG. NO.	WALL CASE ASSEMBLY


DETAIL G



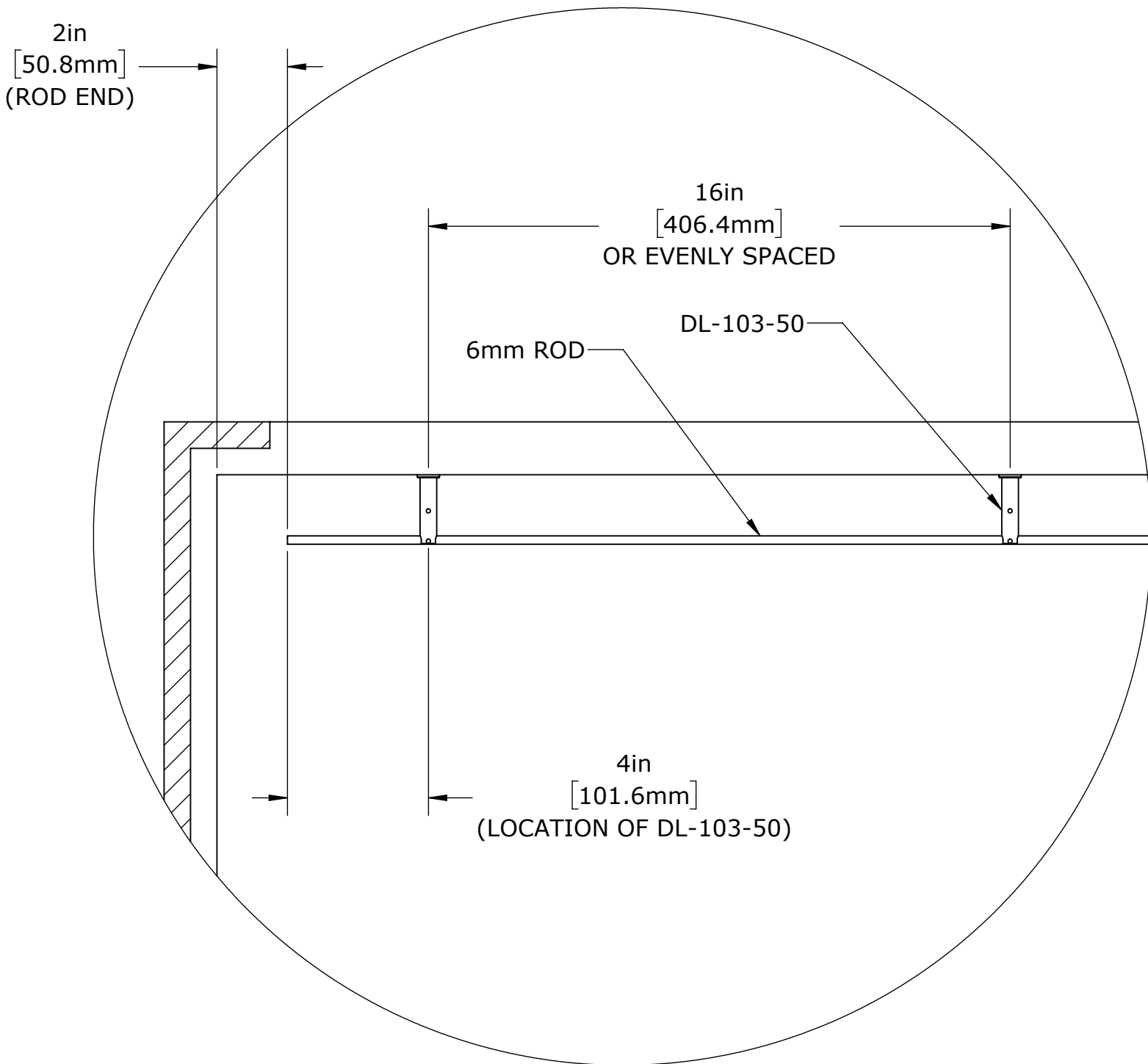
	LUXAM LIGHTING, LLC 954.755.7254 WWW.LUXAM.COM	TITLE:	WALL CASE
		DWG. NO.	WALL CASE ASSEMBLY


DETAIL H



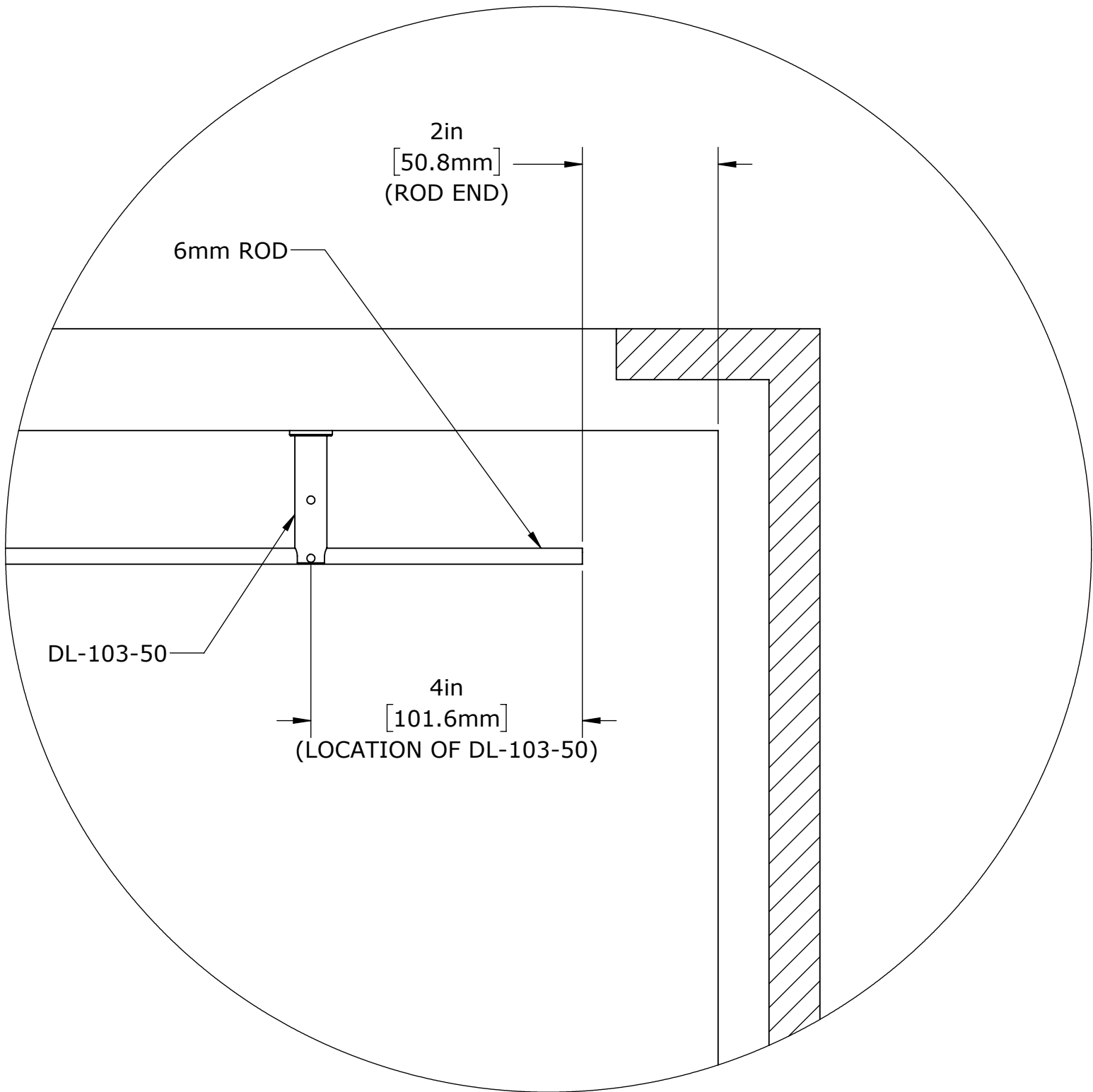
	LUXAM LIGHTING, LLC 954.755.7254 WWW.LUXAM.COM	TITLE:	WALL CASE
		DWG. NO.	WALL CASE ASSEMBLY


DETAIL J

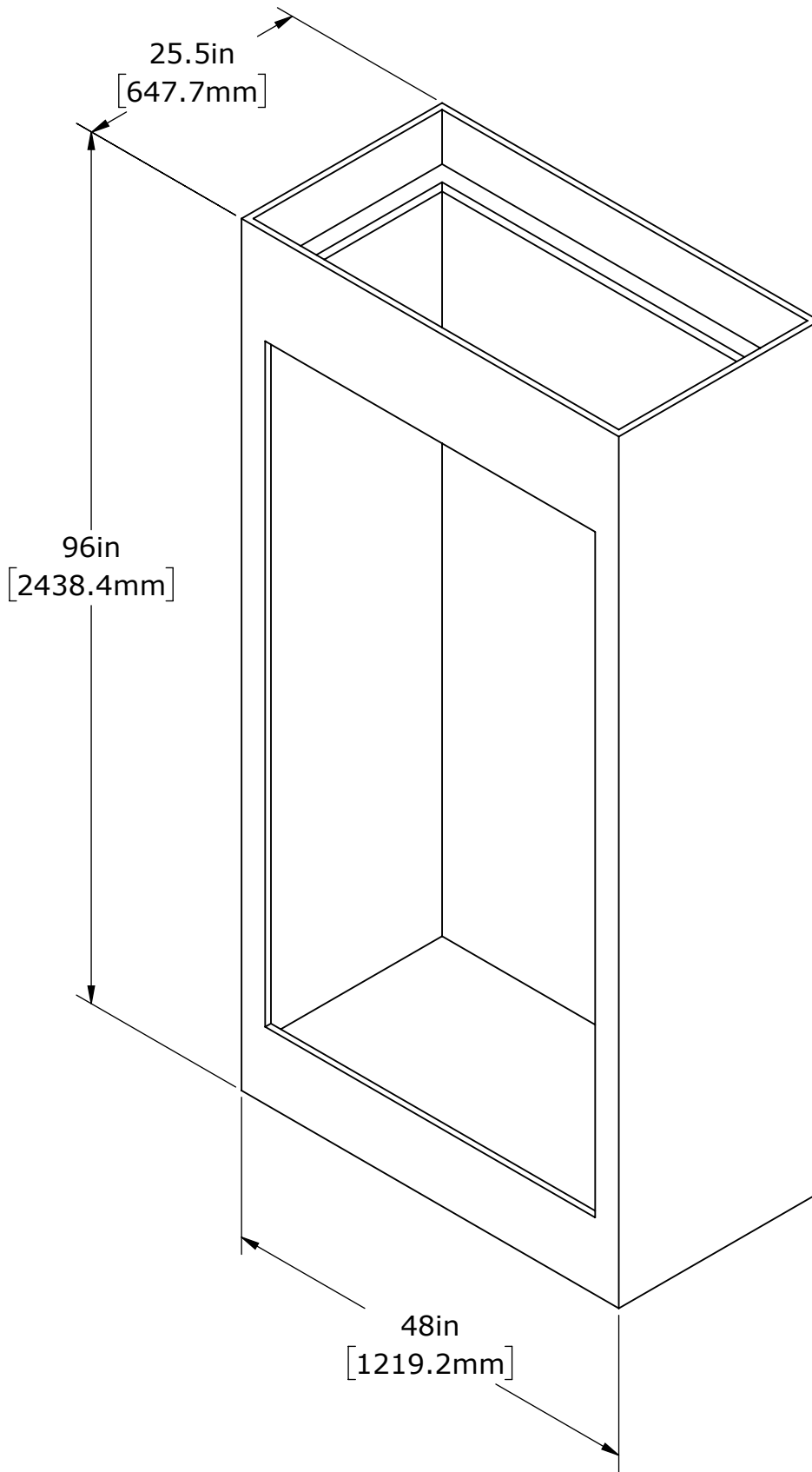


	LUXAM LIGHTING, LLC 954.755.7254 WWW.LUXAM.COM	TITLE:	WALL CASE
		DWG. NO.	WALL CASE ASSEMBLY


DETAIL K



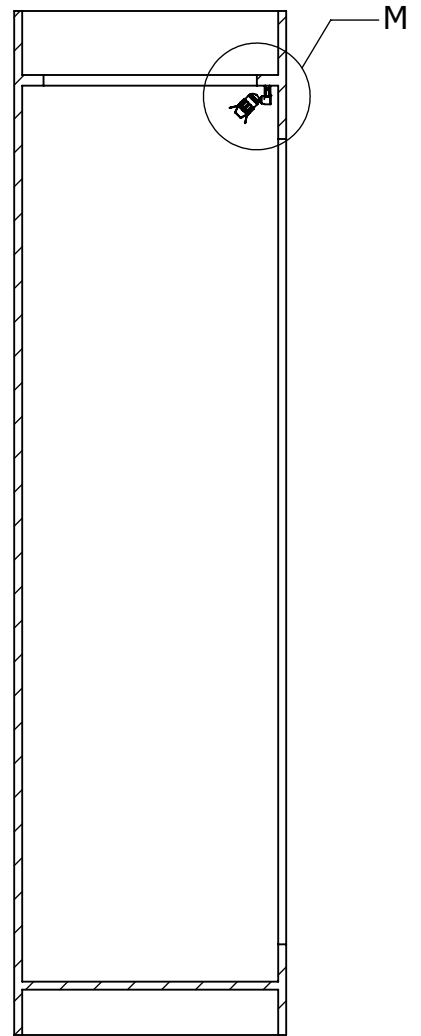
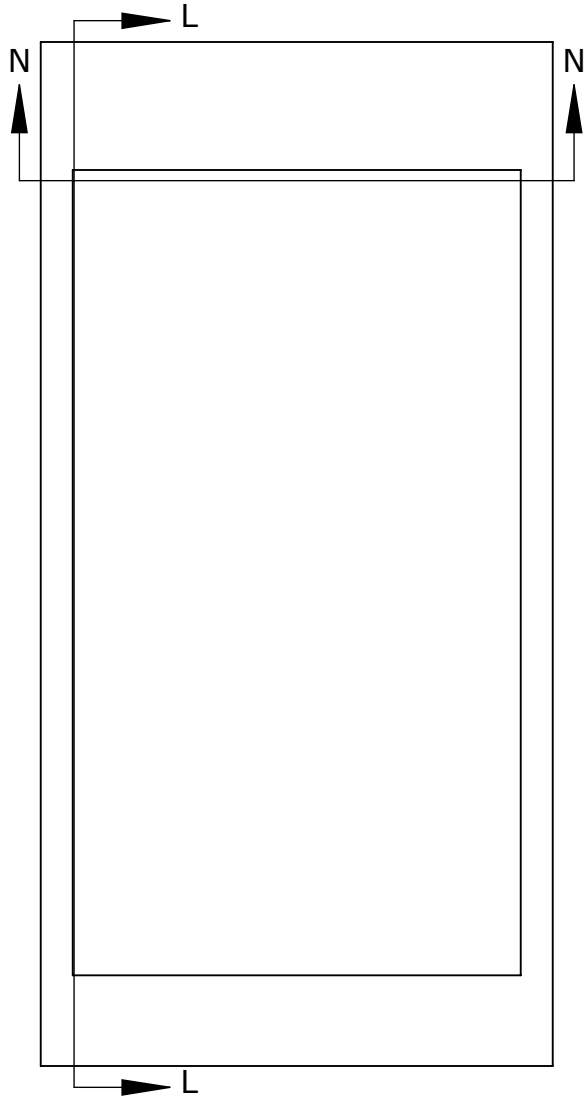
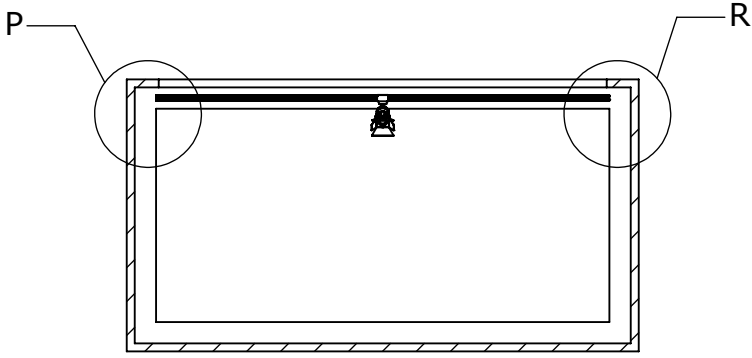
	LUXAM LIGHTING, LLC 954.755.7254 WWW.LUXAM.COM	TITLE:	WALL CASE
		DWG. NO.	WALL CASE ASSEMBLY



MICROTRACK LED INFRASTRUCTURE


	<p>LUXAM LIGHTING, LLC 954.755.7254 WWW.LUXAM.COM</p>	TITLE:	WALL CASE
		DWG. NO.	WALL CASE ASSEMBLY

SECTION N-N

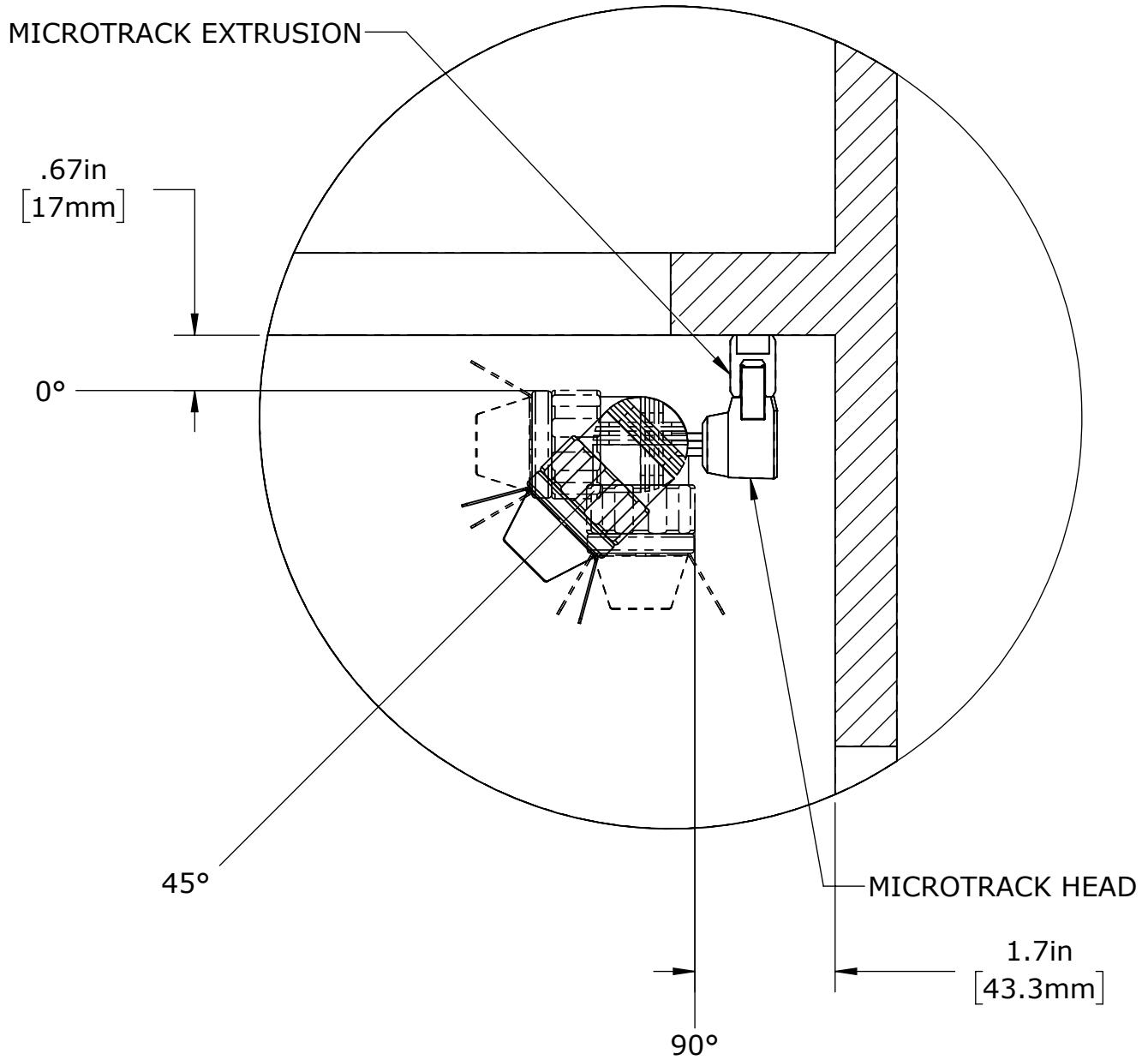



SECTION L-L

**MICROTRACK LED INFRASTRUCTURE
DETAILS ON FOLLOWING PAGES**

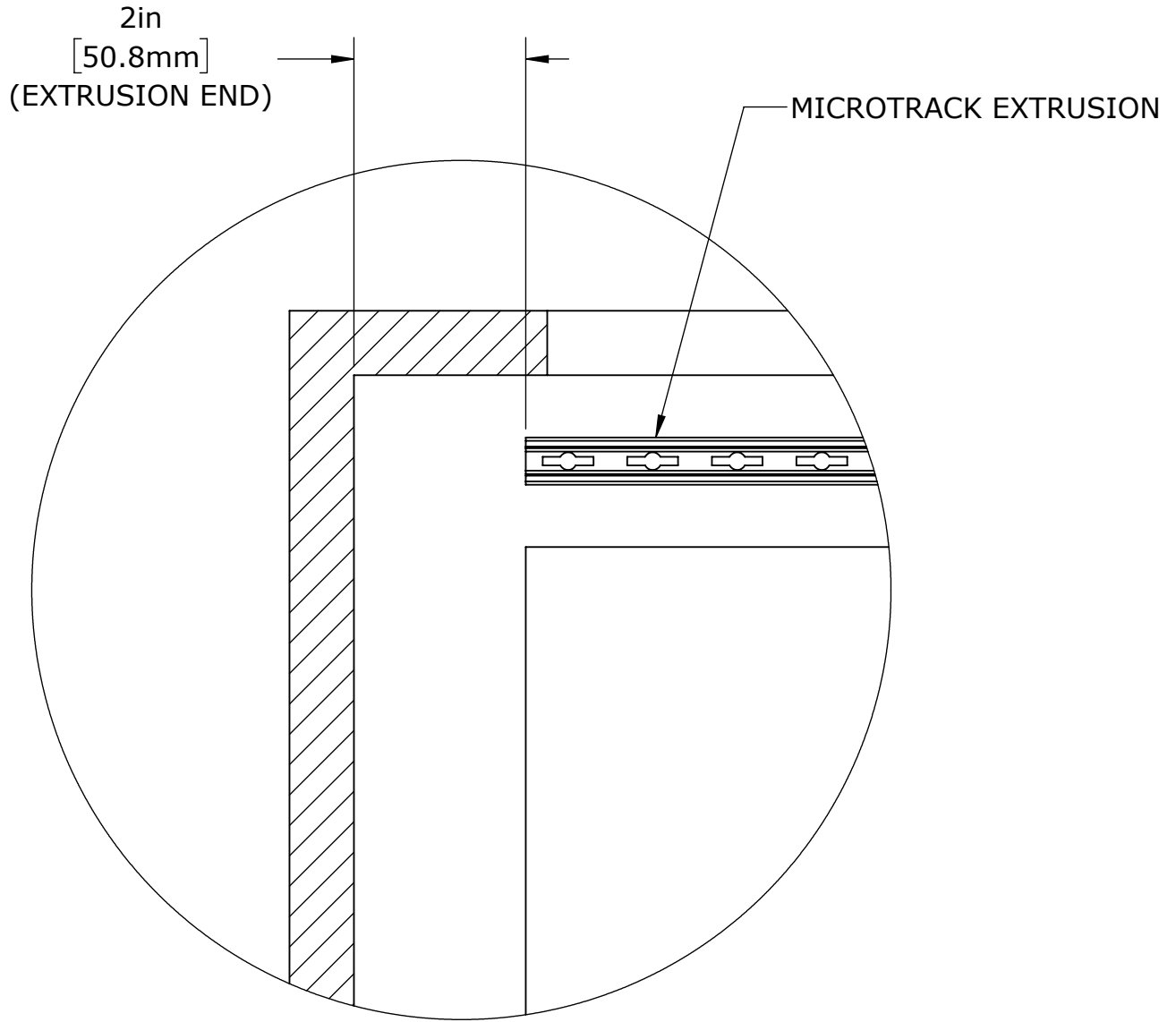
	LUXAM LIGHTING, LLC 954.755.7254 WWW.LUXAM.COM	TITLE:	WALL CASE
		DWG. NO.	WALL CASE ASSEMBLY


DETAIL M



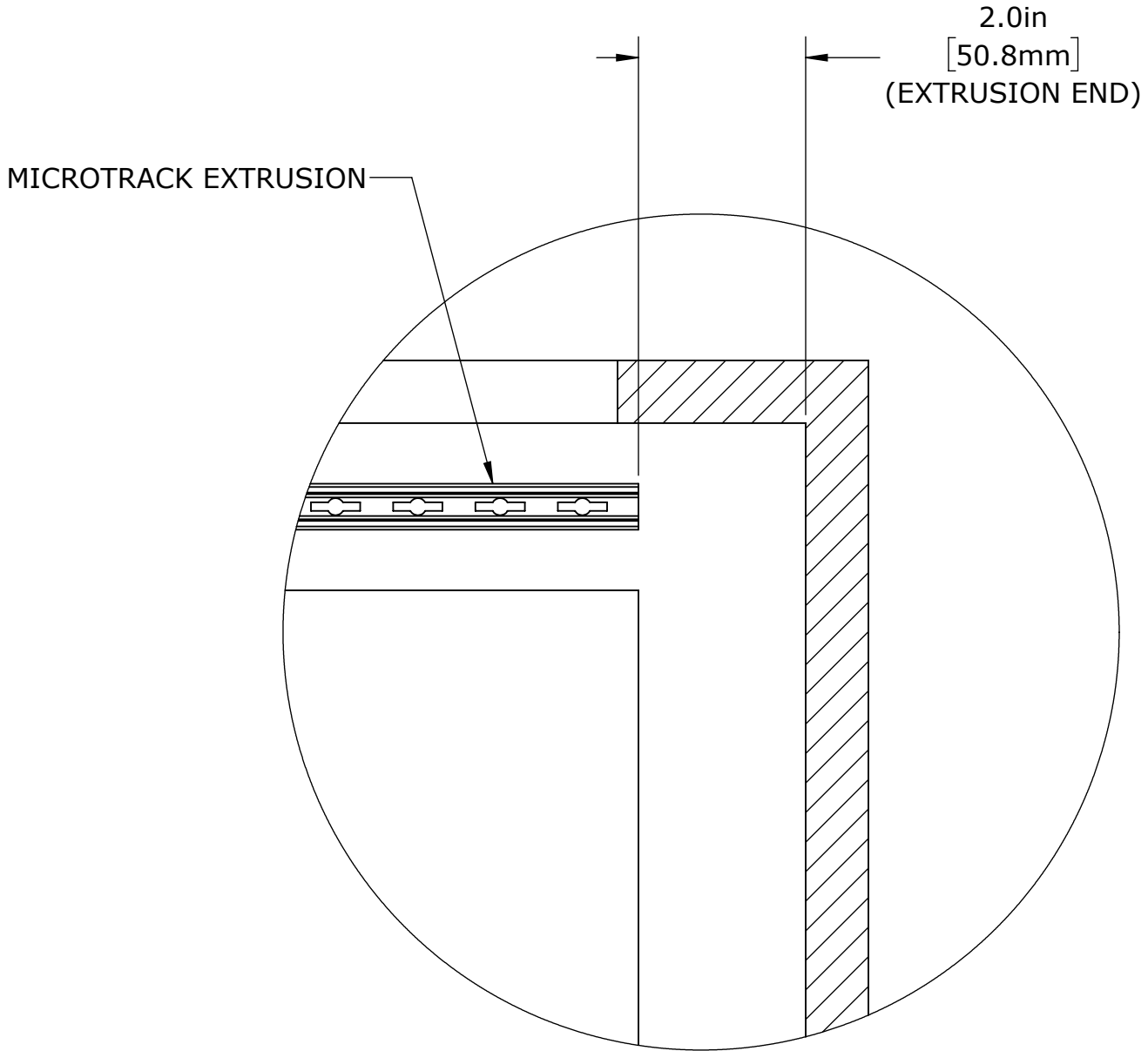
	LUXAM LIGHTING, LLC 954.755.7254 WWW.LUXAM.COM	TITLE:	WALL CASE
		DWG. NO.	WALL CASE ASSEMBLY


DETAIL P



	LUXAM LIGHTING, LLC 954.755.7254 WWW.LUXAM.COM	TITLE:	WALL CASE
		DWG. NO.	WALL CASE ASSEMBLY

DETAIL R



	LUXAM LIGHTING, LLC 954.755.7254 WWW.LUXAM.COM	TITLE:	WALL CASE
		DWG. NO.	WALL CASE ASSEMBLY