

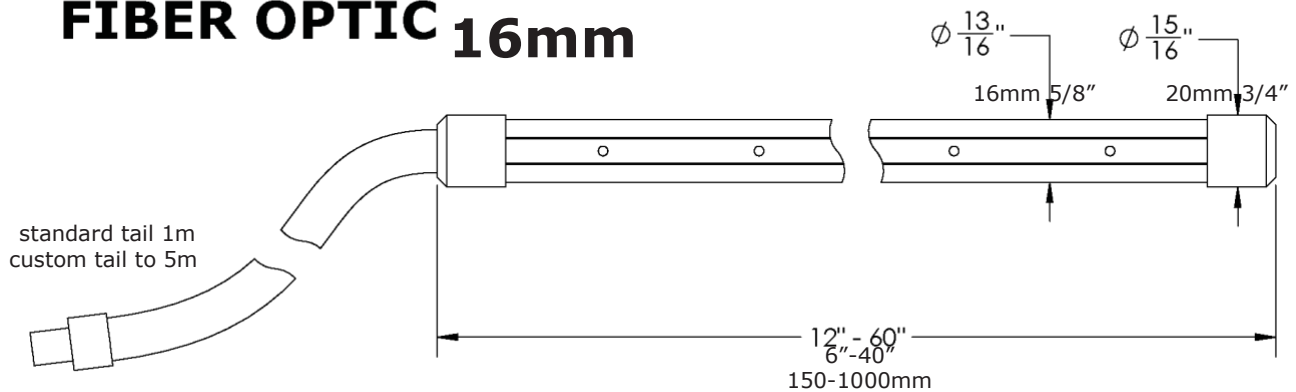


Fiber Optic Lightstick

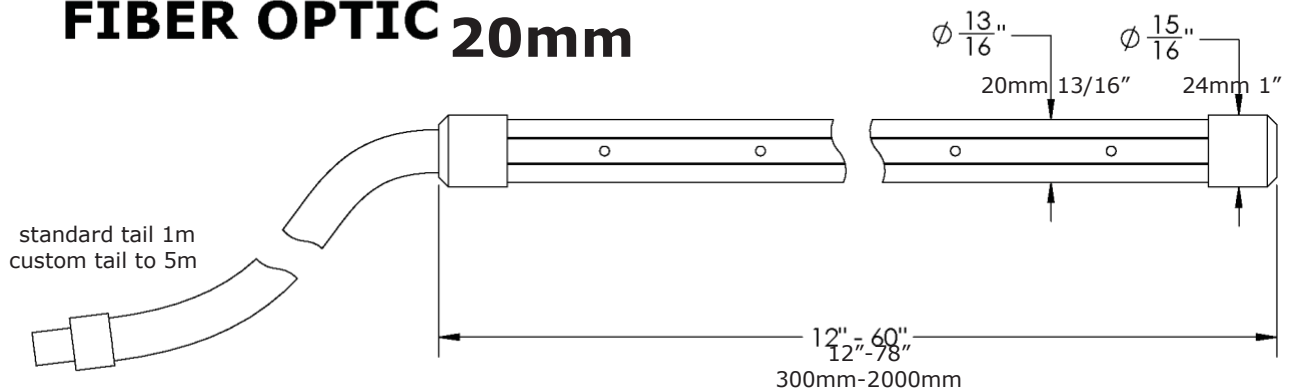
Why a Luxam Fiber Optic Lightstick

- ☑ Stick lengths are custom to specification
- ☑ Smooth, even light field standard 60°, available in 30° and 90°
- ☑ Perfect for lighting documents, textiles, books, and traveling exhibits
- ☑ Easy to install and conceal
- ☑ External LED light source- no transit of UV or heat
- ☑ Compatible w/Micro & Mini track and gridtop support systems
- ☑ Designed for simple repositioning along supports as exhibit changes

FIBER OPTIC 16mm



FIBER OPTIC 20mm



Luxam Museum Lighting

12201 NW 35th St. Suite 534
Coral Springs, FL 33065
954-775-7254

info@luxam.com



Fiber Optic Lightstick

Capabilities

- ☑ Max Lightstick length for 16mm is 1000mm (40")
- ☑ Max Lightstick length for 20mm is 2000mm (78")
- ☑ Center Splice allows of double length of Lightstick
- ☑ Max 150" of linear lightstick per illuminator- please specify
- ☑ Tail lengths are standard 1m -custom length available
- ☑ Additional link cable meter and double density Lightsticks available upon request

Supports

90 ° elbow for 16mm and 20mm for gantry and thrust mounting in table cases, vitrines, and wall cases.
To specify stick length for elbows - provide drawings.

Base support for 16mm black **22-105**
Base support for 20mm black **22-101**



C-clamp with surface mount 16mm black **22-???**
C-clamp with surface mount 20mm black **22-???**
C-clamp with surface mount 24mm black **22-???**



Flange socket base for vertical mounting 16mm **22-104**



Accessories



Barn Door for lightstick/per meter, fixation with C-clamp + base

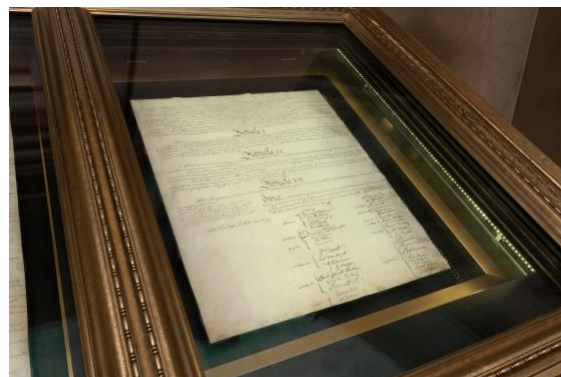


30° accessory lens available to tight beam angles

How To Order

Stick FOLS Length x Tail Length x Accessories

ex: FOLS 25"OD x 3m x Barn



Luxam Museum Lighting

12201 NW 35th St. Suite 534
Coral Springs, FL 33065
954-775-7254

info@luxam.com