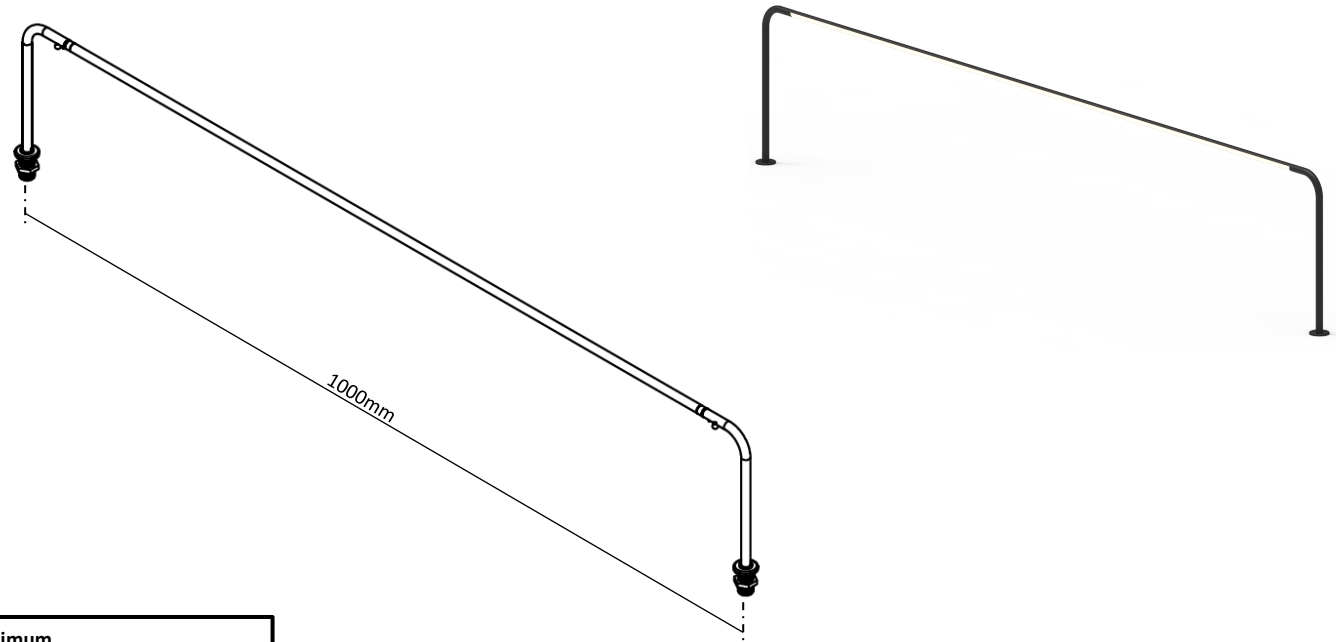


# INSTRUCTION MANUAL

## L-MBA-01 Micro LEDBAR 1000mm

- Power: 15W
- Input voltage: 12V DC
- Input current: 1300mA
- Compatible PWM external dimmer
- Rotation angle: 300°
- CRI  $\geq$  96
- Class III
- Indoor use, IP40
- Material: Alum. Alloy / PC
- Dimensions: 1000mmx300mmx10mm



**IMPORTANT :** Always use with UL Class 2 power unit, 12V DC maximum.

### IMPORTANT SAFETY INSTRUCTIONS

- Read all instructions.
- Do not conceal or extend exposed conductors through a building wall.
- Do not install this system in wet locations.
- To reduce the risk of fire and burns, do not install this lighting system where the exposed bare conductors can be shorted or contact any conductive materials.
- To reduce the risk of fire and overheating, make sure all connections are tight.
- Do not install any luminaire closer than 6 in (152 mm) from any curtain, or similar combustible materials.
- Turn off electrical power before modifying the lighting system in any way.

### SAVE THESE INSTRUCTIONS

For the safe handling, installation and operation of the L-MTSP micro spots, a thorough review and understanding of the material written in this manual must be completed before starting the installation process. Failure to install the L-MTSP micro spots per these instruction will void your warranty. There are no serviceable components in the L-MTSP micro spots. Attempting to repair or alter the system in any way will also void your warranty. Always install the L-MTSP micro spots according to all local, state, and national codes.



# INSTRUCTION MANUAL

L-MBA-01 Micro LEDBAR 100cm

