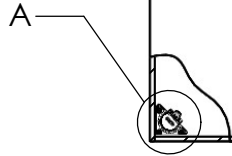
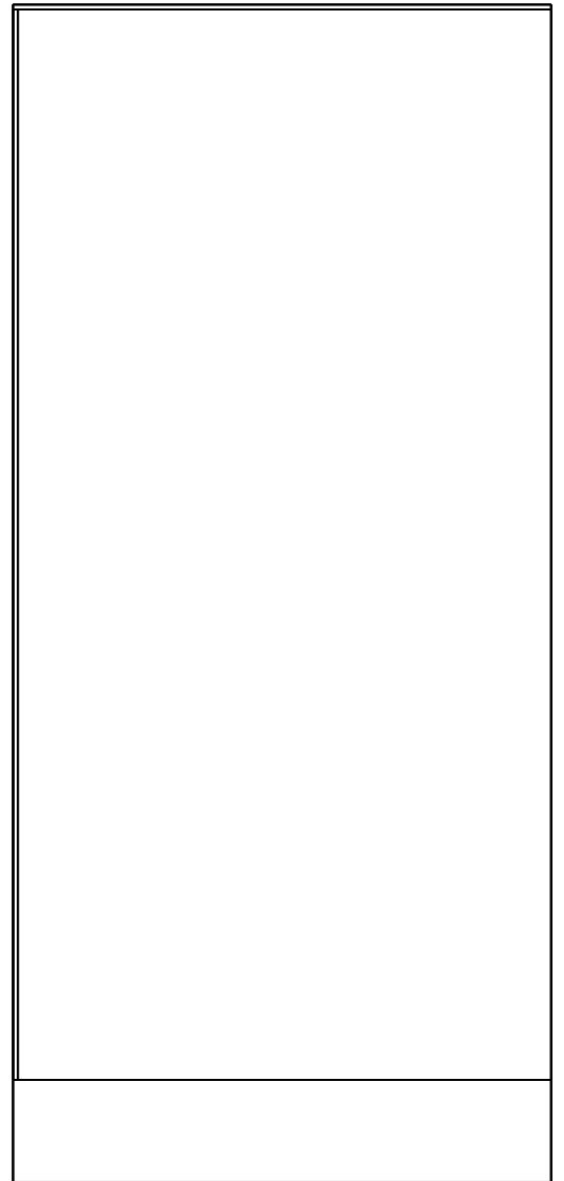
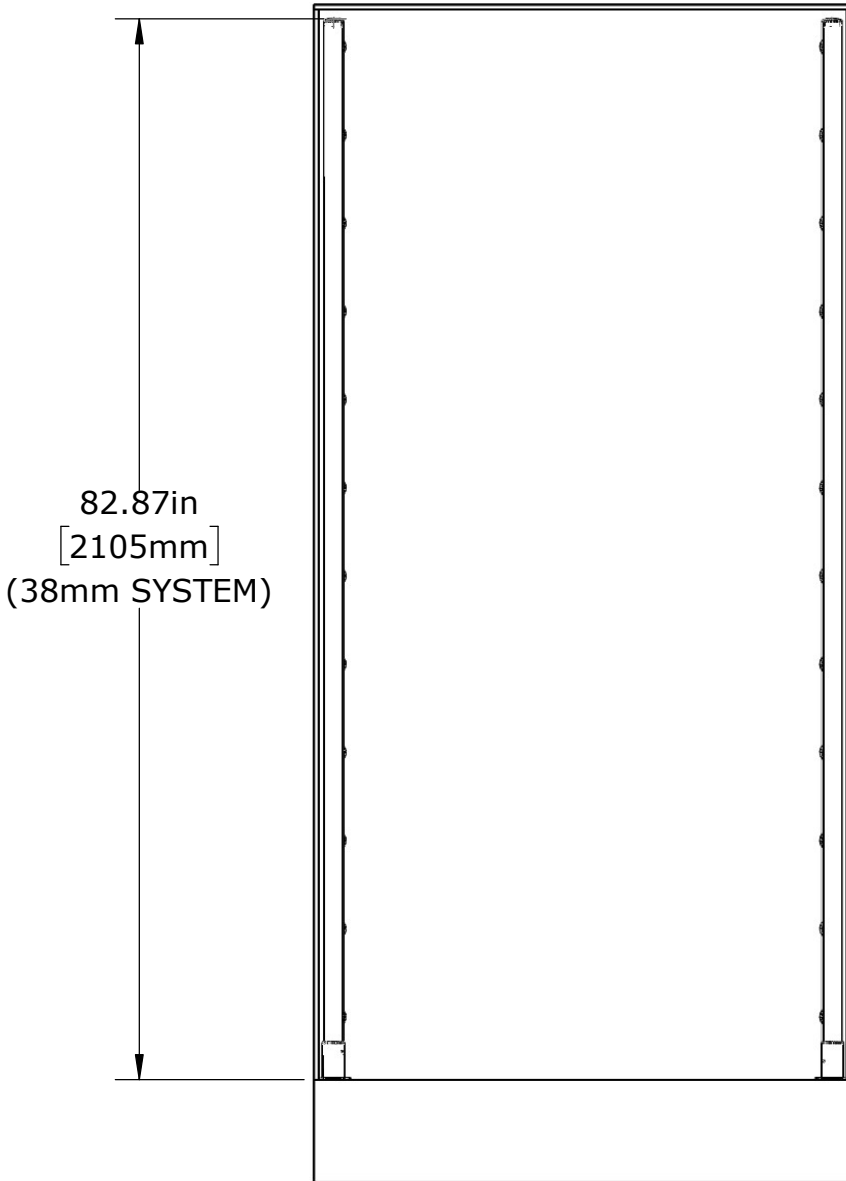

	<p>LUXAM LIGHTING, LLC 954.755.7254 WWW.LUXAM.COM</p>	<p>TITLE: SELF SUPPORTING LIGHTING INFRASTRUCTURE</p>
		<p>DWG. NO. SINGLE SIDED VIEWING CASE ASSEMBLY</p>



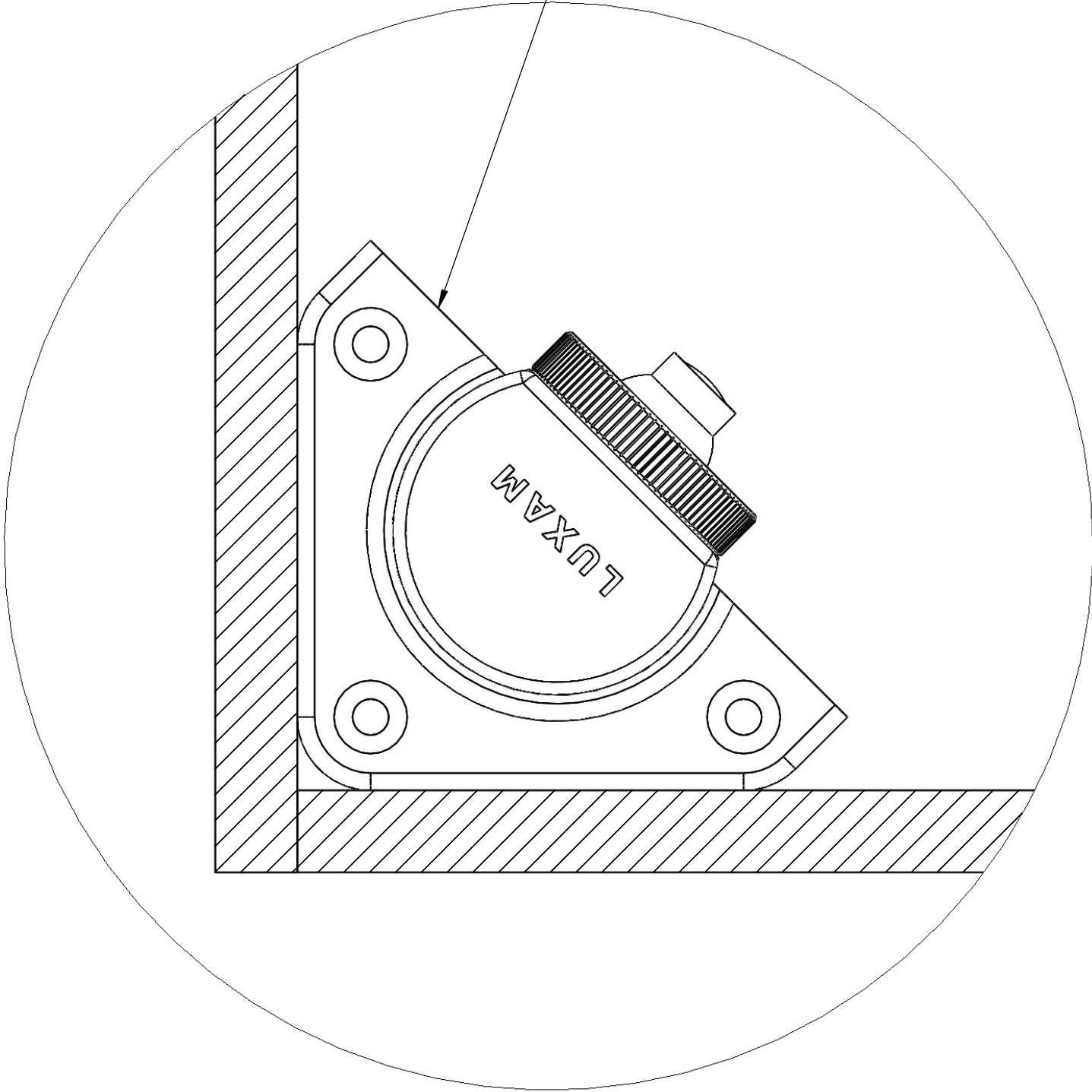
*****ONLY FRONT SIDE OF DISPLAY
IS TRANSPARENT*****




	LUXAM LIGHTING, LLC 954.755.7254 WWW.LUXAM.COM	TITLE: SELF SUPPORTING LIGHTING INFRASTRUCTURE
		DWG. NO. SINGLE SIDED VIEWING CASE ASSEMBLY

DETAIL A

38mm SYSTEM
(FRONT CORNERS, ORIENTED AS SHOWN)



	LUXAM LIGHTING, LLC 954.755.7254 WWW.LUXAM.COM	TITLE: SELF SUPPORTING LIGHTING INFRASTRUCTURE
		DWG. NO. SINGLE SIDED VIEWING CASE ASSEMBLY