
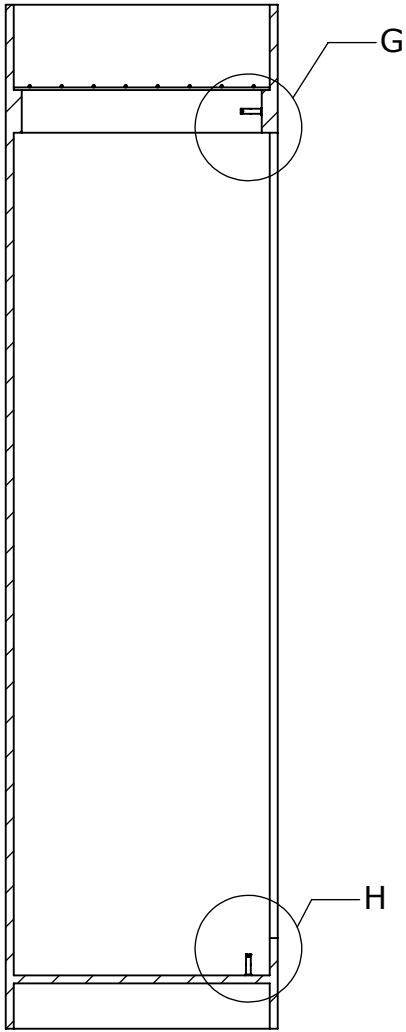
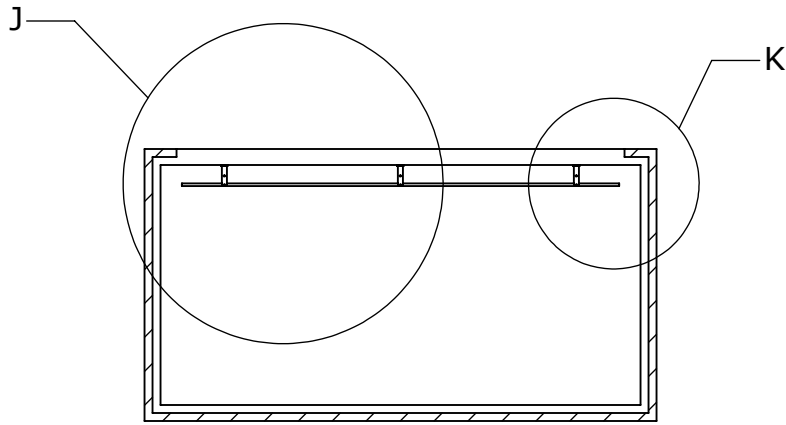


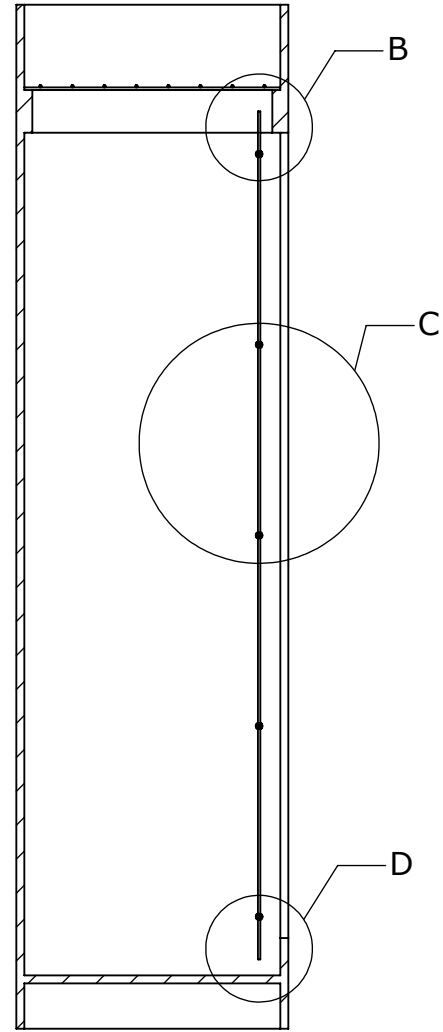
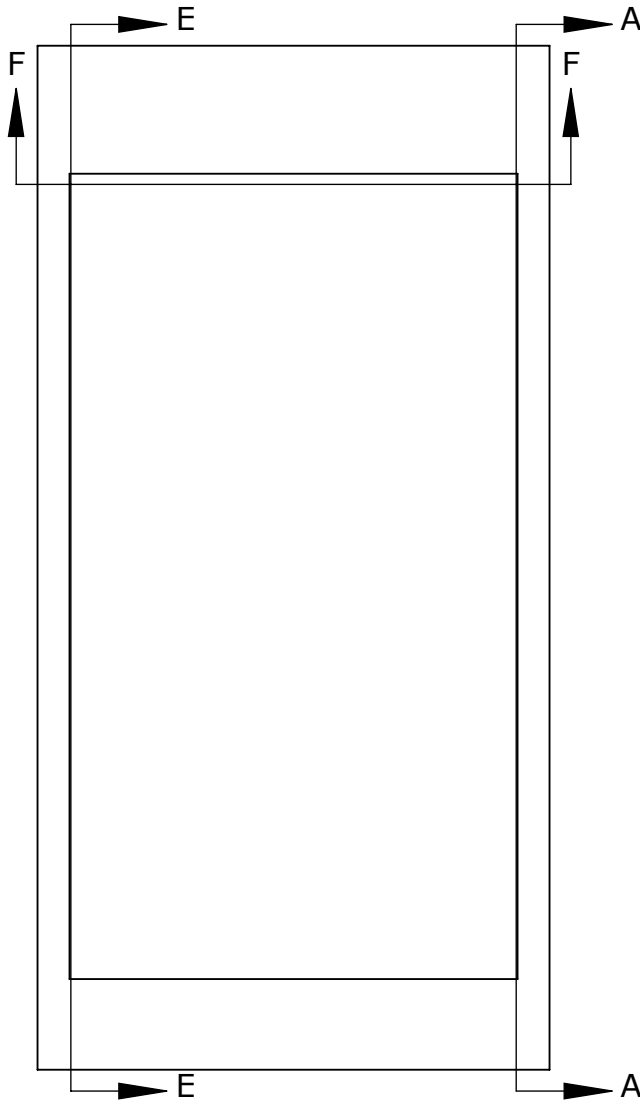
**FIBER OPTIC INFRASTRUCTURE**

	<p>LUXAM LIGHTING, LLC 954.755.7254 WWW.LUXAM.COM</p>	TITLE:	WALL CASE
		DWG. NO.	WALL CASE ASSEMBLY

SECTION F-F




SECTION E-E

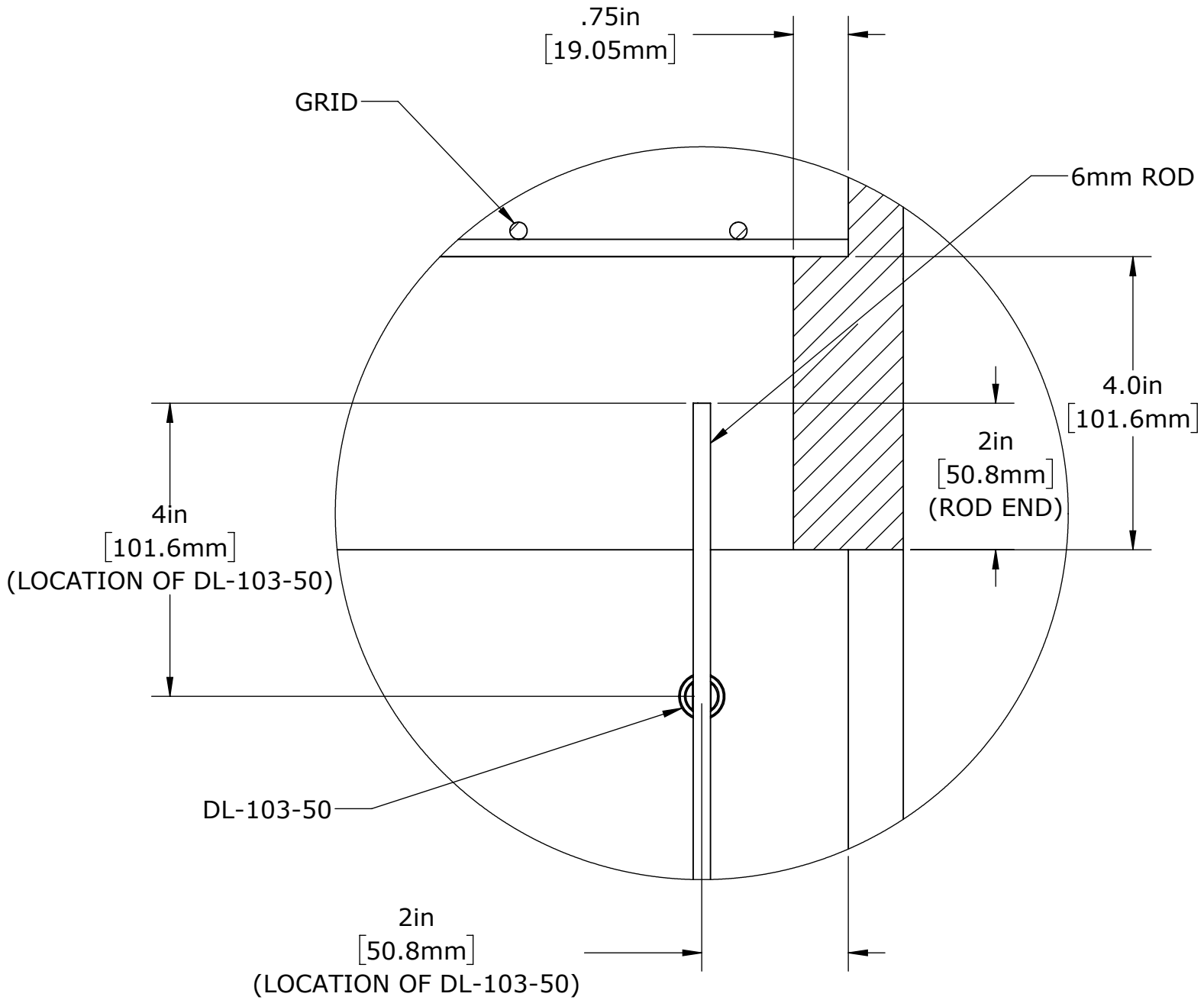



SECTION A-A

**FIBER OPTIC INFRASTRUCTURE  
 DETAILS ON FOLLOWING PAGES  
 \*\*COMPONENTS HIDDEN ON SOME VIEWS FOR CLARITY\*\***

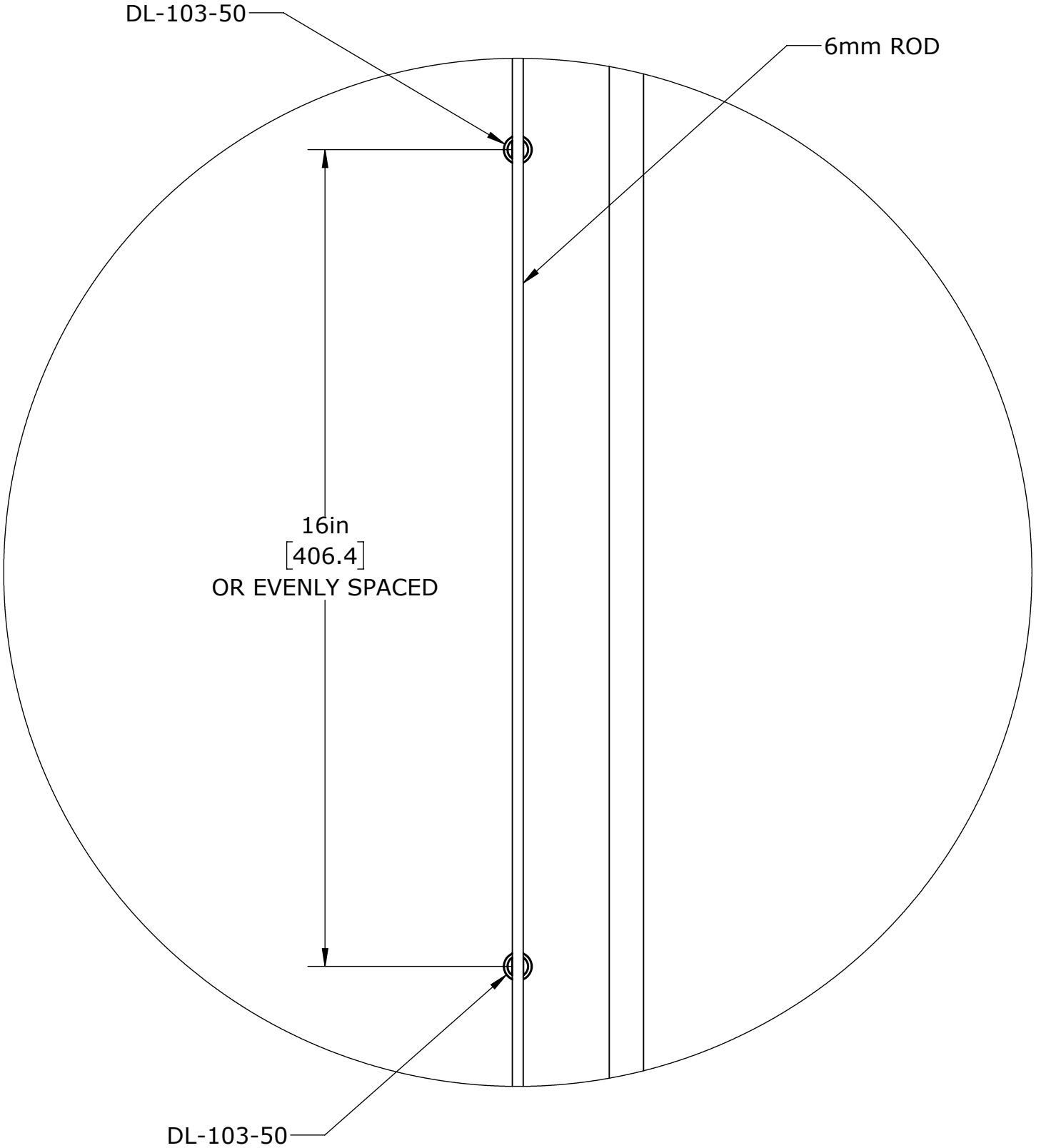
	LUXAM LIGHTING, LLC 954.755.7254 WWW.LUXAM.COM	TITLE:	WALL CASE
		DWG. NO.	WALL CASE ASSEMBLY


# DETAIL B



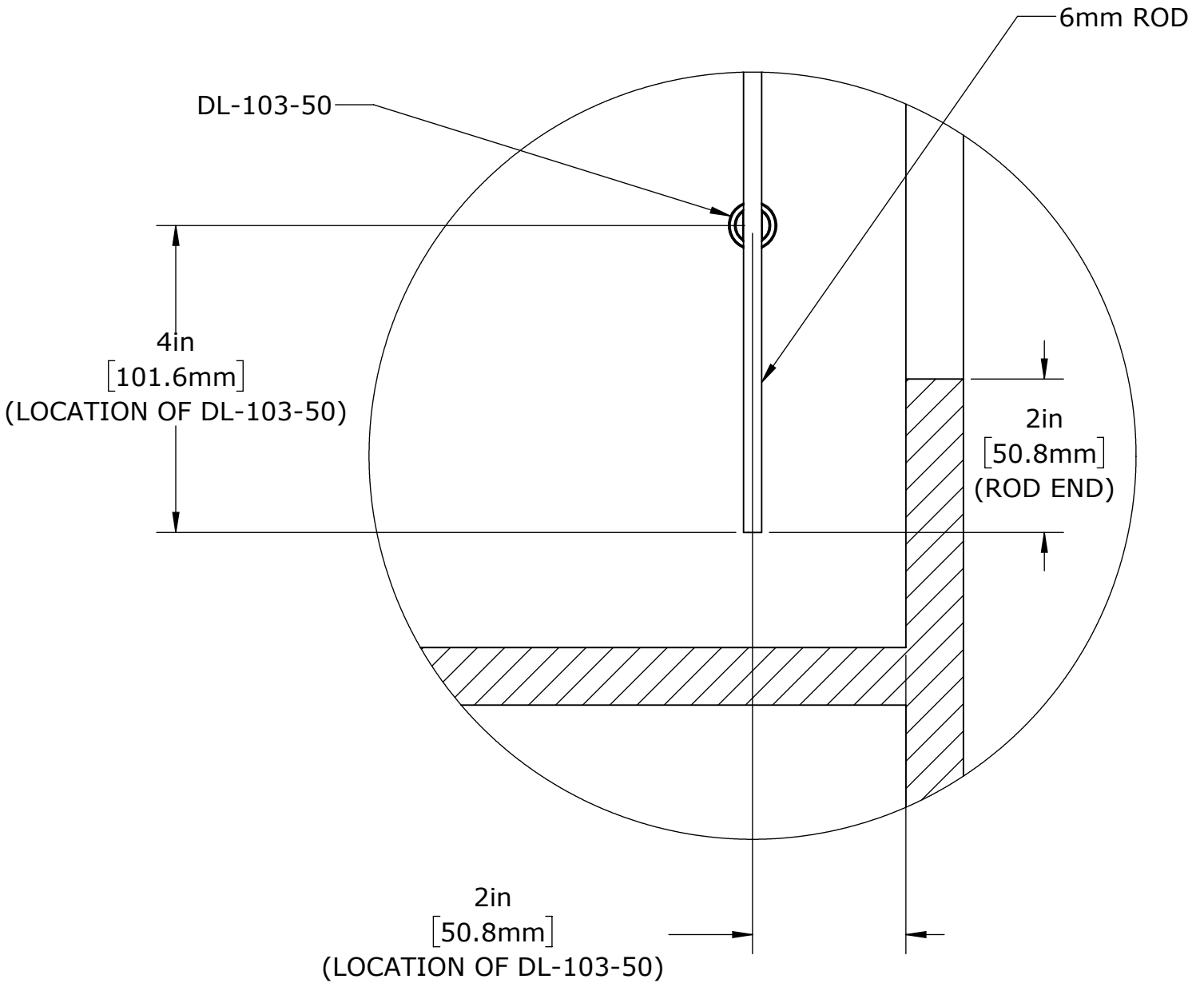
	<p>LUXAM LIGHTING, LLC 954.755.7254 WWW.LUXAM.COM</p>	TITLE:	WALL CASE
		DWG. NO.	WALL CASE ASSEMBLY


# DETAIL C



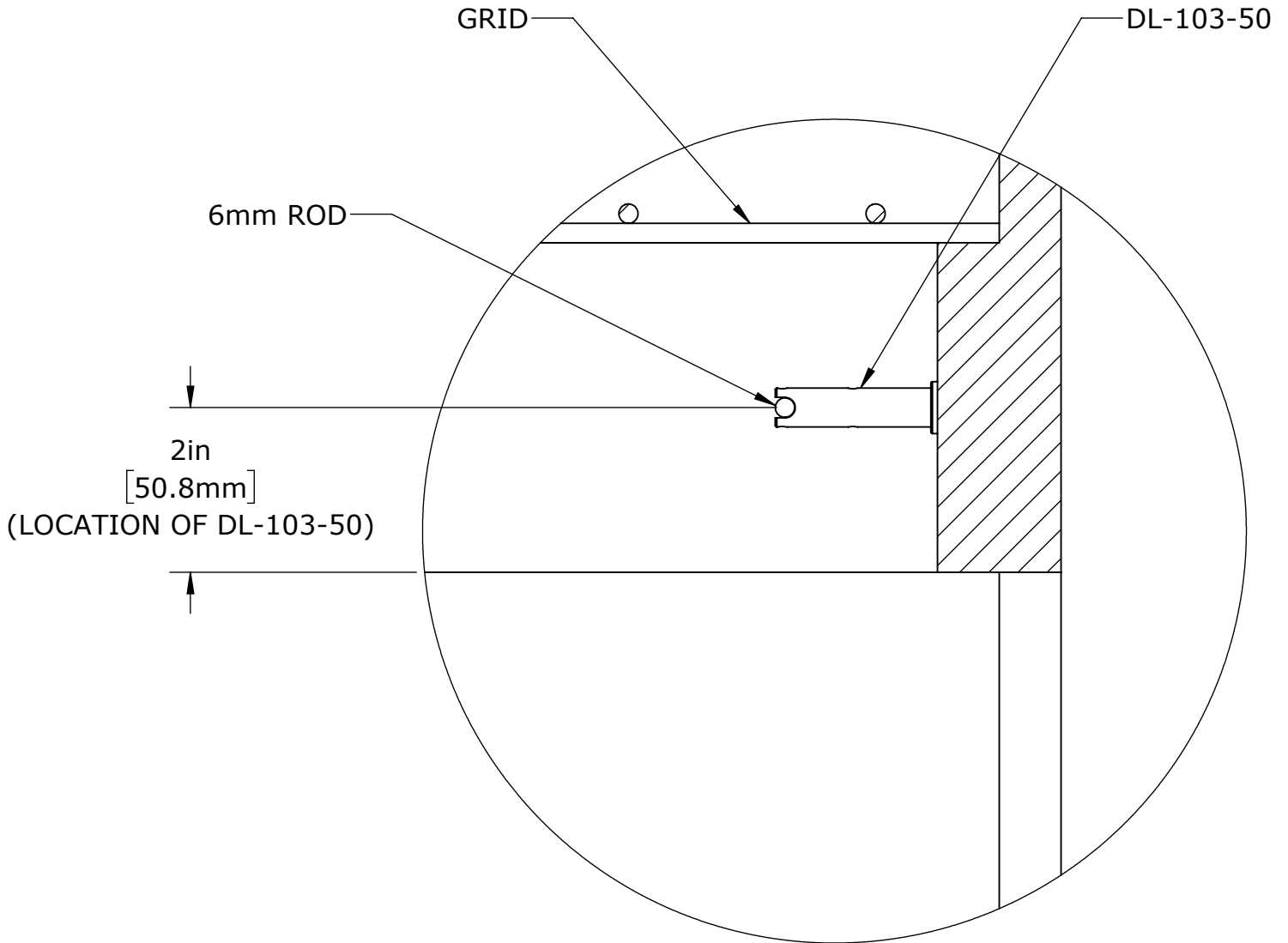
	LUXAM LIGHTING, LLC 954.755.7254 WWW.LUXAM.COM	TITLE:	WALL CASE
		DWG. NO.	WALL CASE ASSEMBLY


# DETAIL D



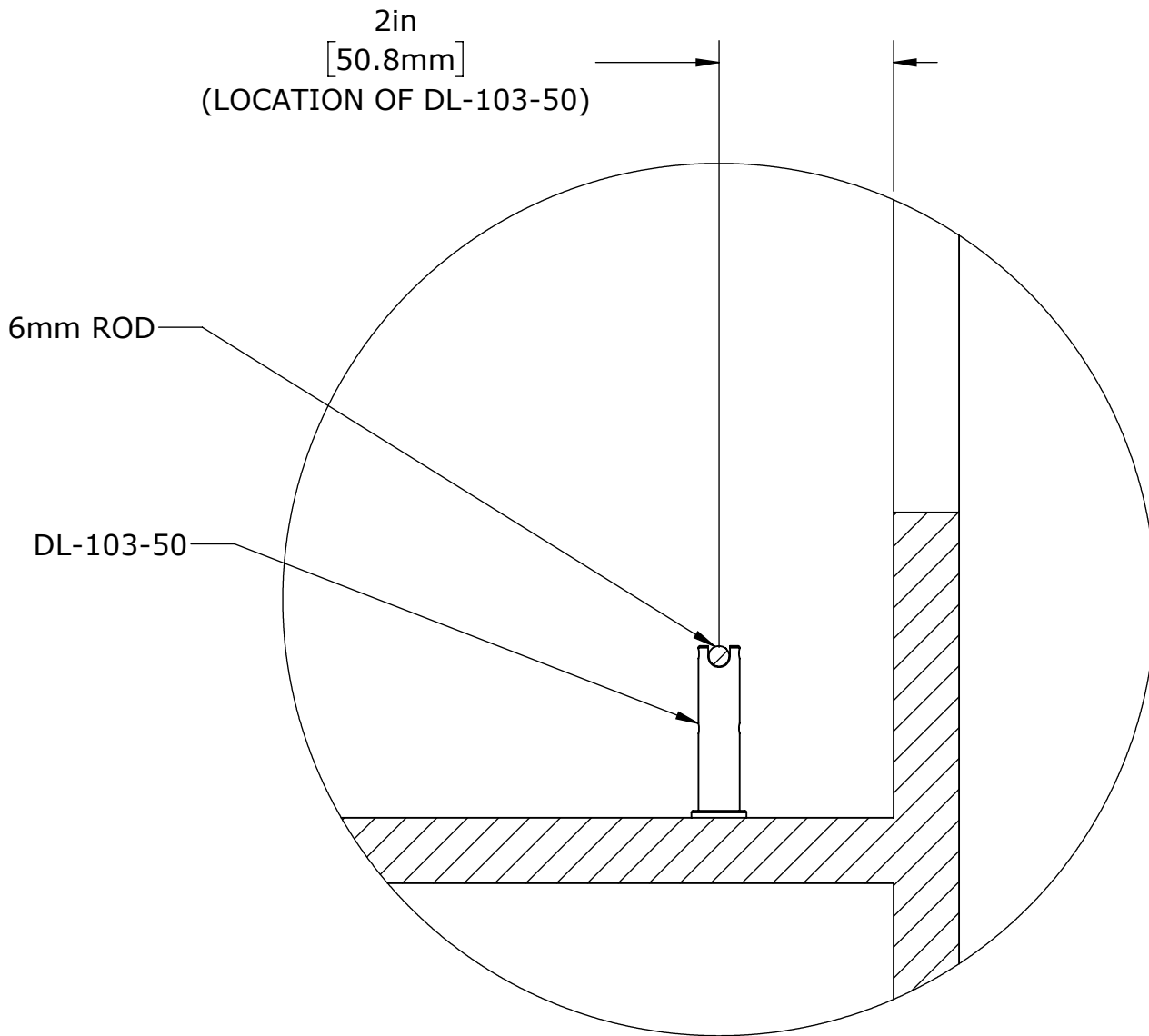
	LUXAM LIGHTING, LLC 954.755.7254 WWW.LUXAM.COM	TITLE:	WALL CASE
		DWG. NO.	WALL CASE ASSEMBLY


# DETAIL G



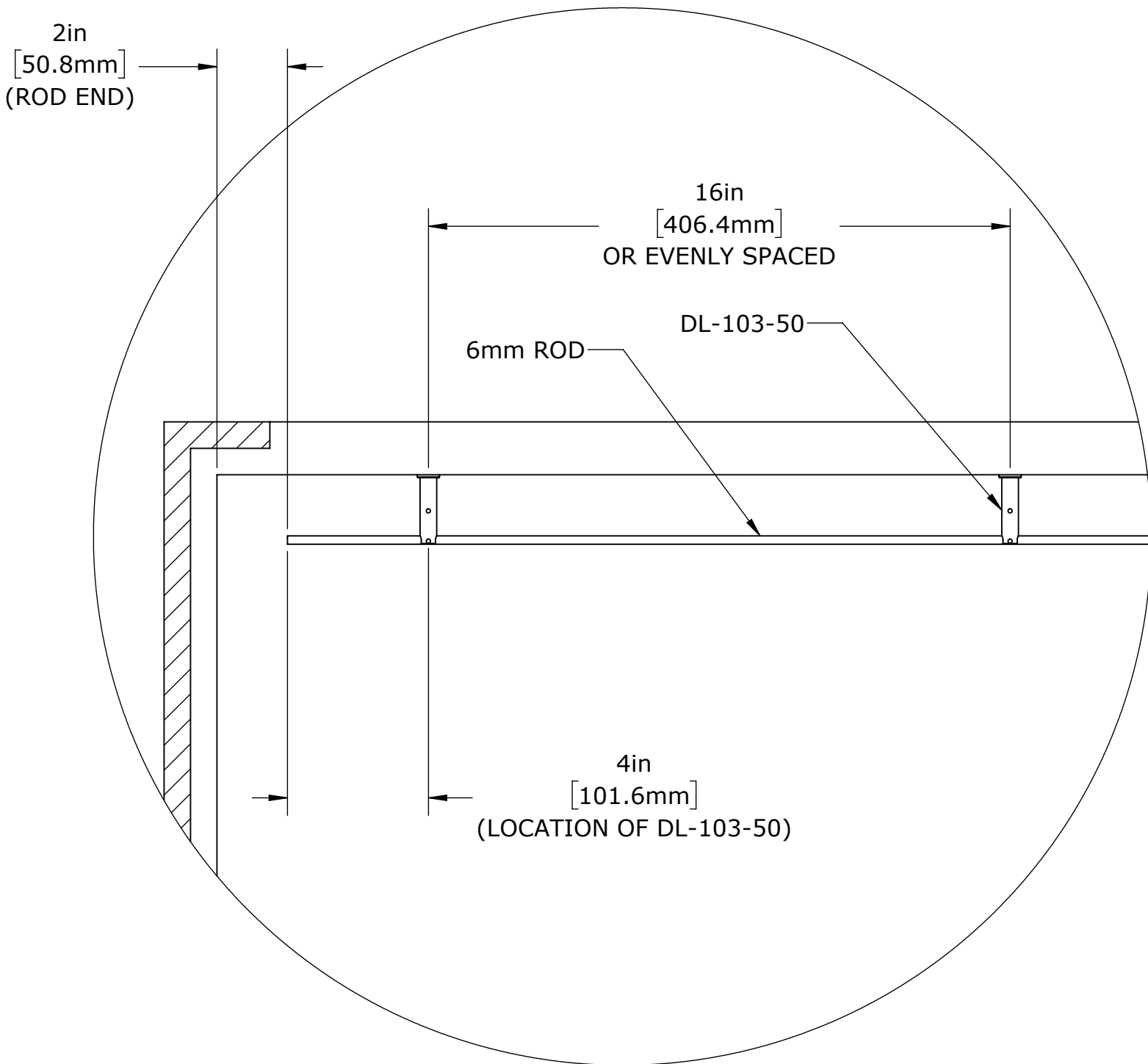
	LUXAM LIGHTING, LLC 954.755.7254 WWW.LUXAM.COM	TITLE:	WALL CASE
		DWG. NO.	WALL CASE ASSEMBLY


# DETAIL H



	LUXAM LIGHTING, LLC 954.755.7254 WWW.LUXAM.COM	TITLE:	WALL CASE
		DWG. NO.	WALL CASE ASSEMBLY

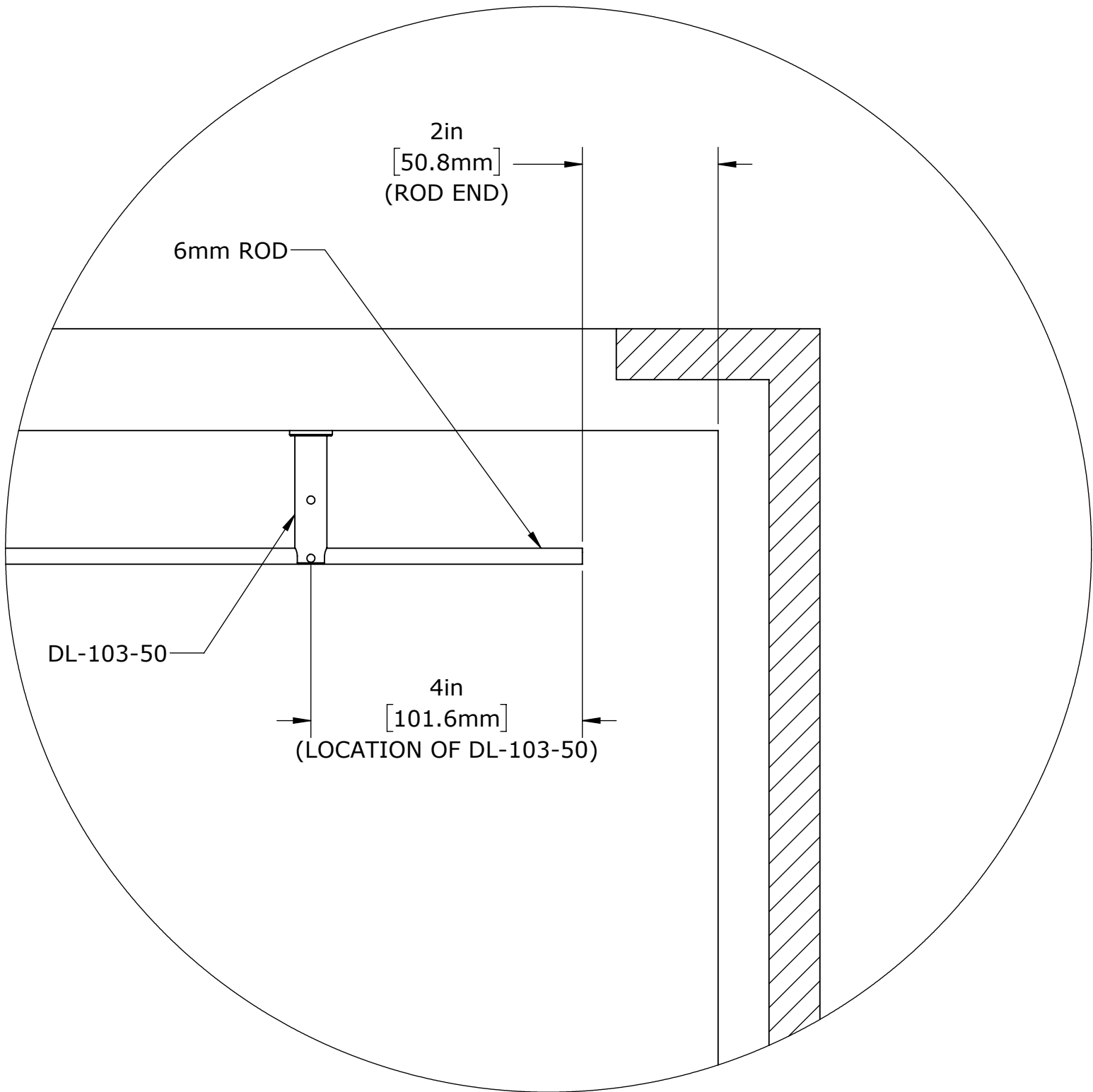
# DETAIL J




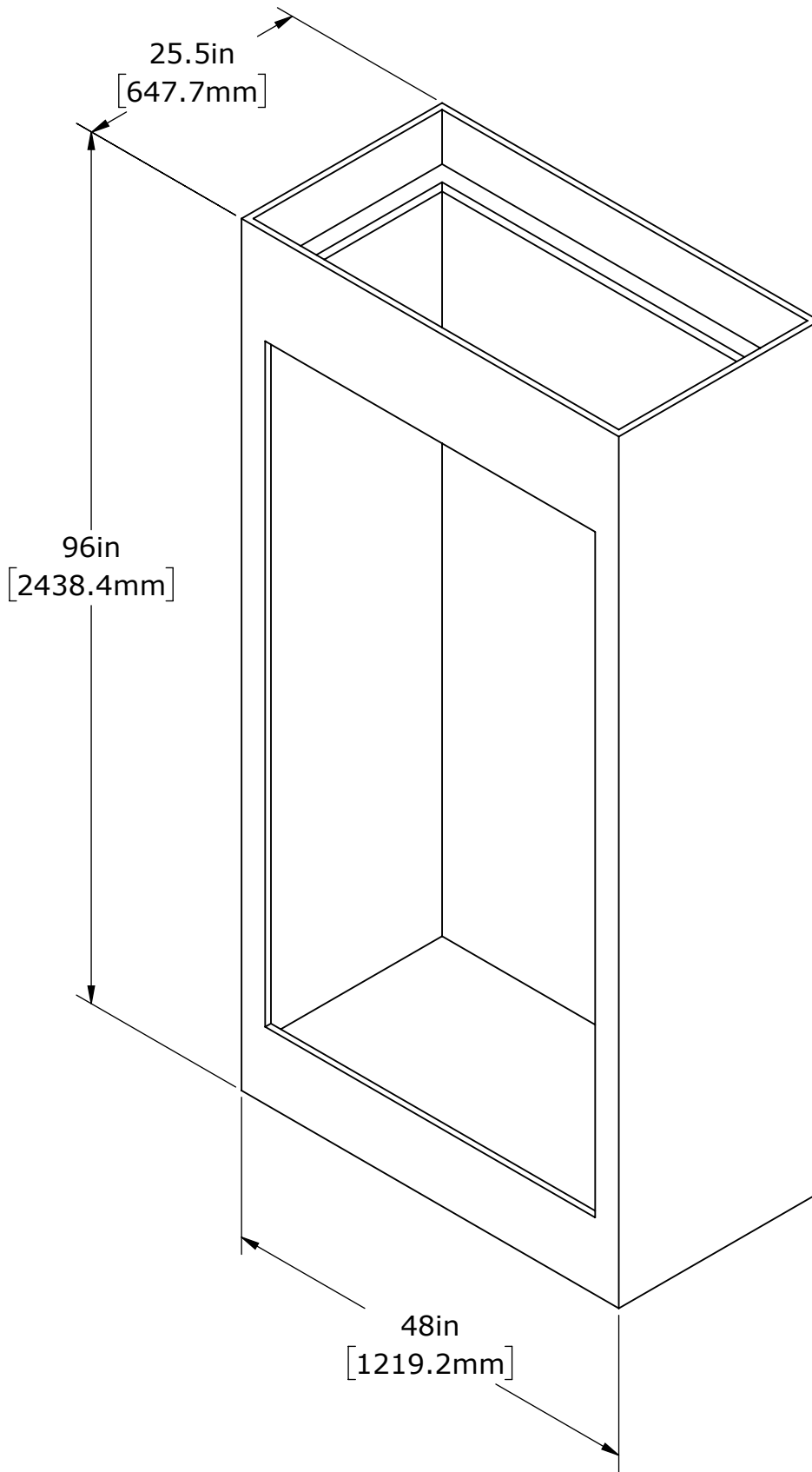
	LUXAM LIGHTING, LLC 954.755.7254 WWW.LUXAM.COM	TITLE:	WALL CASE
		DWG. NO.	WALL CASE ASSEMBLY




# DETAIL K



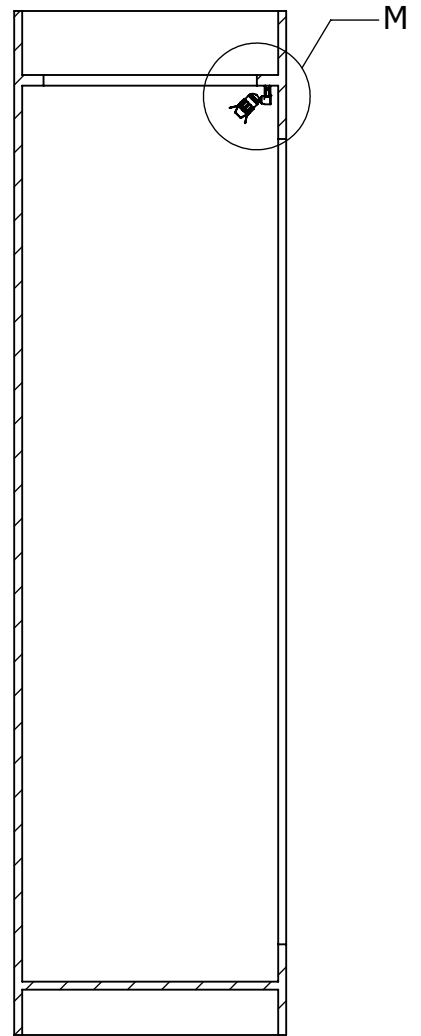
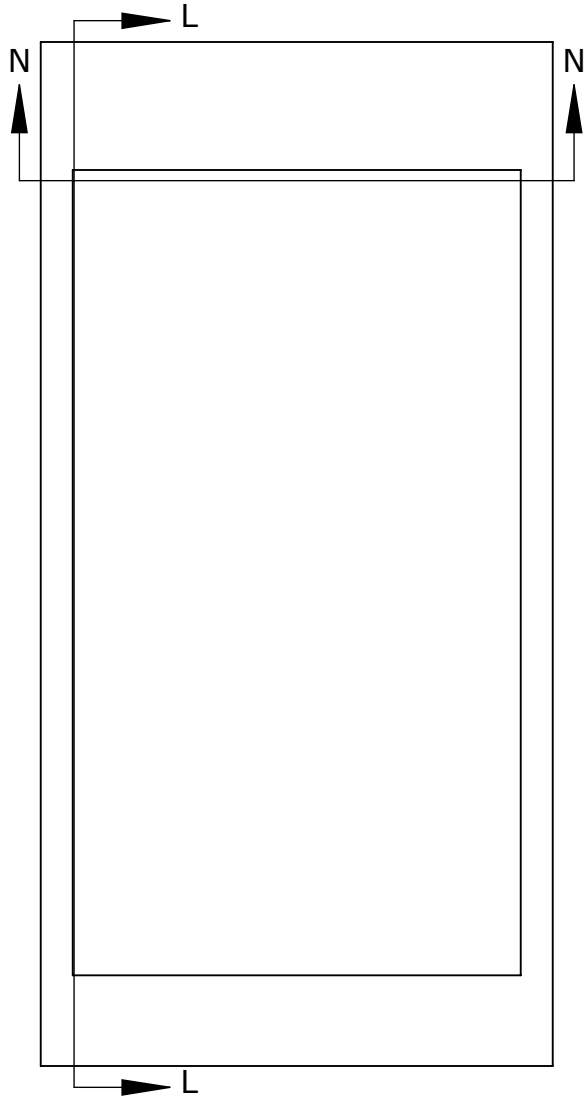
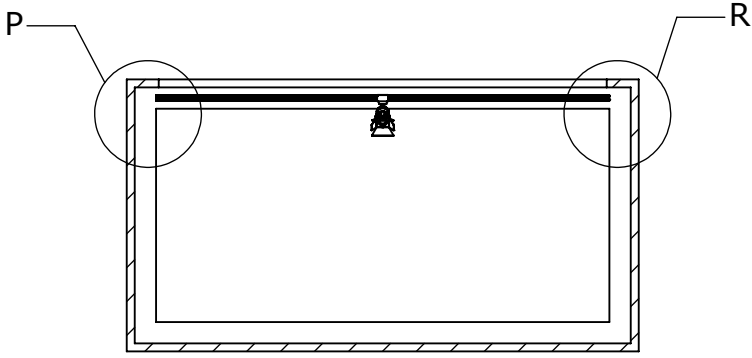
	LUXAM LIGHTING, LLC 954.755.7254 WWW.LUXAM.COM	TITLE:	WALL CASE
		DWG. NO.	WALL CASE ASSEMBLY



**MICROTRACK LED INFRASTRUCTURE**


	<p>LUXAM LIGHTING, LLC 954.755.7254 WWW.LUXAM.COM</p>	TITLE:	WALL CASE
		DWG. NO.	WALL CASE ASSEMBLY

SECTION N-N

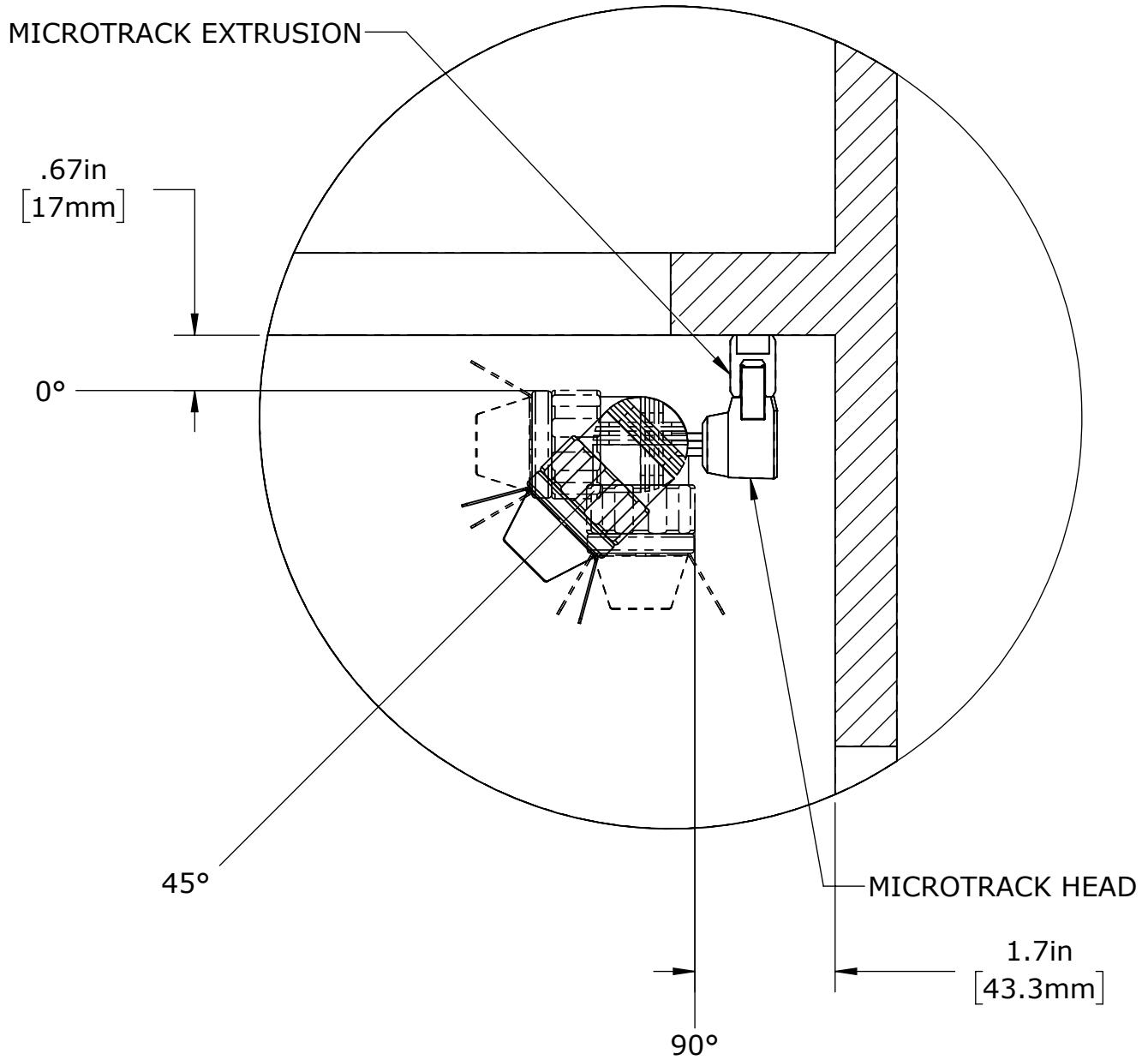



SECTION L-L

**MICROTRACK LED INFRASTRUCTURE  
DETAILS ON FOLLOWING PAGES**

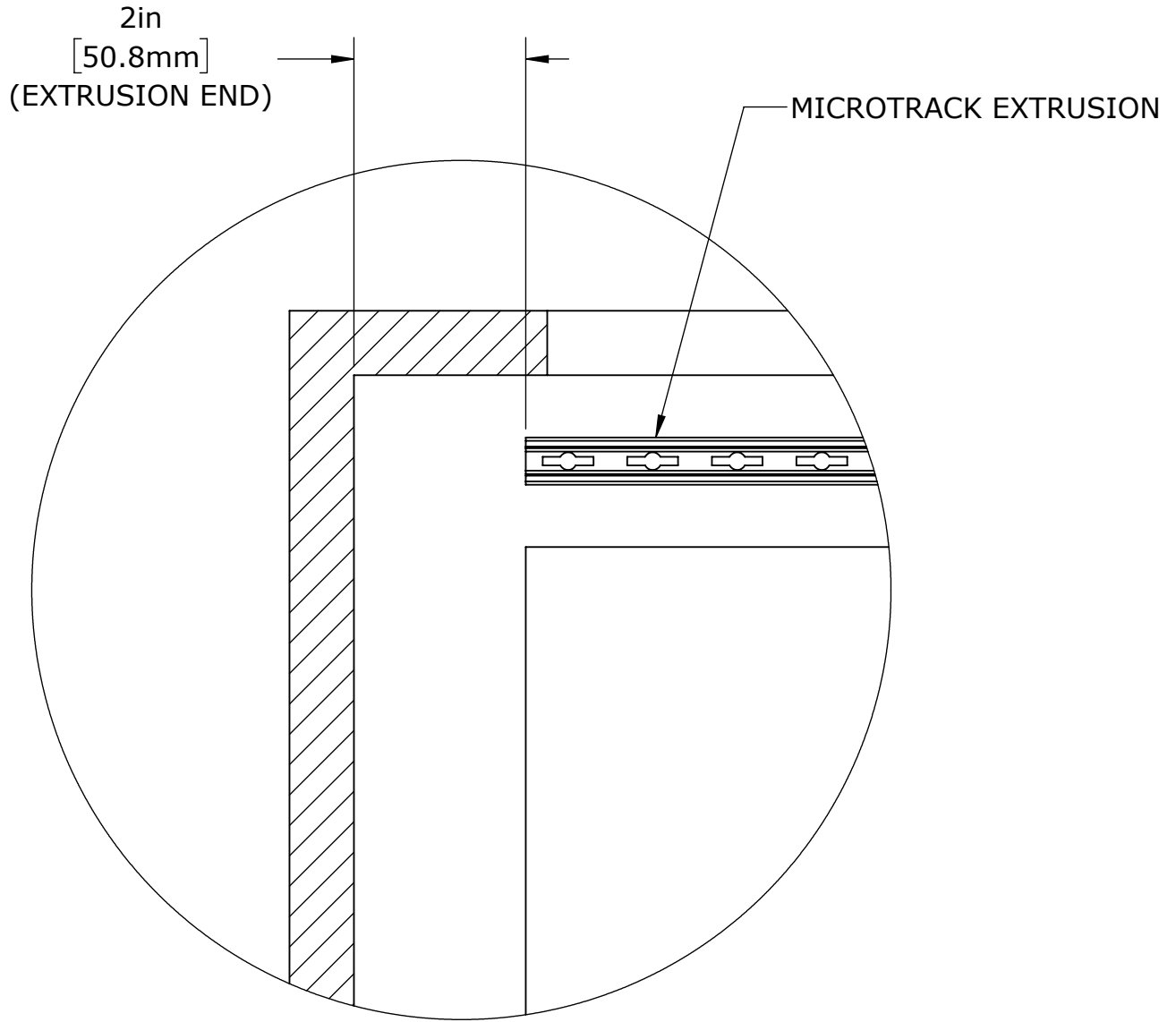
	LUXAM LIGHTING, LLC 954.755.7254 WWW.LUXAM.COM	TITLE:	WALL CASE
		DWG. NO.	WALL CASE ASSEMBLY


# DETAIL M



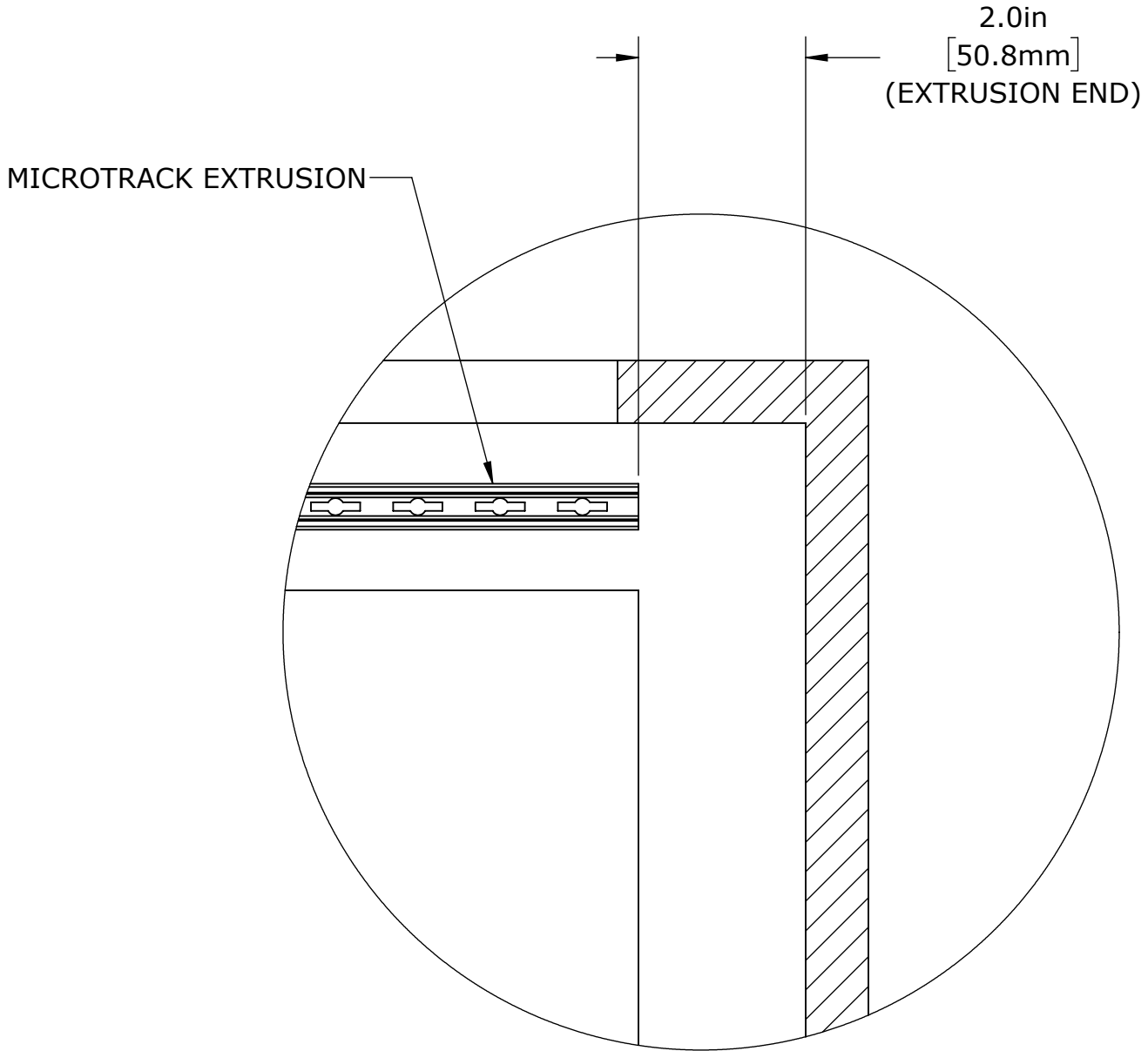
	LUXAM LIGHTING, LLC 954.755.7254 WWW.LUXAM.COM	TITLE:	WALL CASE
		DWG. NO.	WALL CASE ASSEMBLY


# DETAIL P



	LUXAM LIGHTING, LLC 954.755.7254 WWW.LUXAM.COM	TITLE:	WALL CASE
		DWG. NO.	WALL CASE ASSEMBLY

# DETAIL R



	LUXAM LIGHTING, LLC 954.755.7254 WWW.LUXAM.COM	TITLE:	WALL CASE
		DWG. NO.	WALL CASE ASSEMBLY