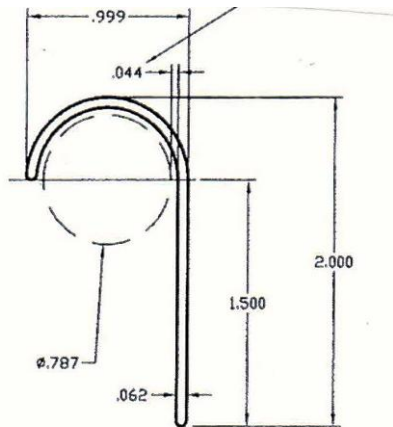


Luxam

Lighting for Museums

Luxam Linear LED wall washer, The "Rake"



Designed to light case interior surfaces with a smooth uniform field, mounted closely to any vertical surface with graphics, documents and three-dimensional objects. Fixtures are dimmable via magnetic low voltage dimming controls. Available in 3000K and 4000K, in beam spreads of 20 degrees and 50 degrees, dependent upon placement and task. End supports allow orientation thru 90 degrees. The integral barn-door extrusion hides source from direct visitor vision. The Rake comes in Single row and double row LED's dependent upon intensity requirements.

Excellent for table cases with many mounting options.

Technical Specifications

Wattage	2.5 or 4.8 watts per lin ft.
Input Voltage	24 VDC or 24 VAC
Control	Standard Magnetic Low Voltage Dimming
Driver Type	Constant Current Power
LED spacing	0.5" on center – single row or double row
Fixture length	4" increments – to 20' continuous
Color Rendering	80 CRI

Luxam

Lighting for Museums

